

AW 450E6 sileo Axial fan

Axial fan

Item Number: 34130

Variant: 230V 1~ 50Hz

speed controllable by voltage reduction, plus option of 2-step operation by D/Y switching for 400V versions

inlet protection guard

safe and maintenance free operation

can be installed in any mounting position

electric connection via terminal box mounted on the motor

single phase fans are supplied with capacitor

Axial fans of the AW sileo range do have a bionic shape of the fan blade, and are driven by external rotor motors. The AW range is equipped with a square wall plate made from galvanized steel and a protection guard at the inlet side and is completely painted in black (RAL9005). The axial impeller is manufactured from pressure die cast aluminum and also painted in black (RAL9005).

The impeller is balanced dynamically in two levels in accordance with DIN ISO 1940 part 1, quality G6.3.

The motors are equipped with thermal contacts for motor protection, with leads to be connected to a motor protection unit, for example Systemair unit S-ET.



Technical parameters

Norminal data		
Voltage (Nominal)	230	V
Frequency	50	Hz
Phase(s)	1~	
Input power	190	W
Input current	0.9	A
Impeller speed	910	r.p.m.
Air flow	max 1.3436	m³/s
Capacitance of capacitor	6	µF
Temperature of transported air	max 70	°C
Max temperature of transported air, when speed controlled	70	°C
Sound data		
Sound pressure level at 1m	58	dB(A)

Protection/Classification

Enclosure class, motor	IP54
------------------------	------

Insulation class	F
------------------	---

Dimensions and weights

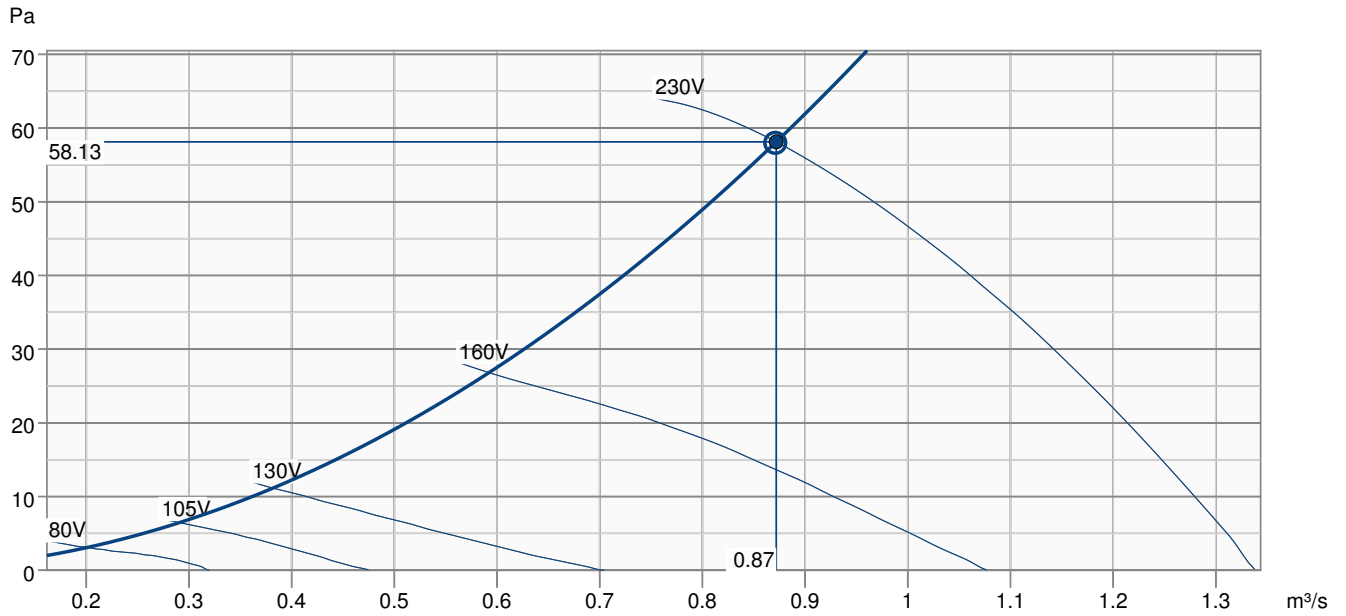
Weight	14.6 kg
--------	---------

Others

Color name, casing	Black
--------------------	-------

Motor type	AC
------------	----

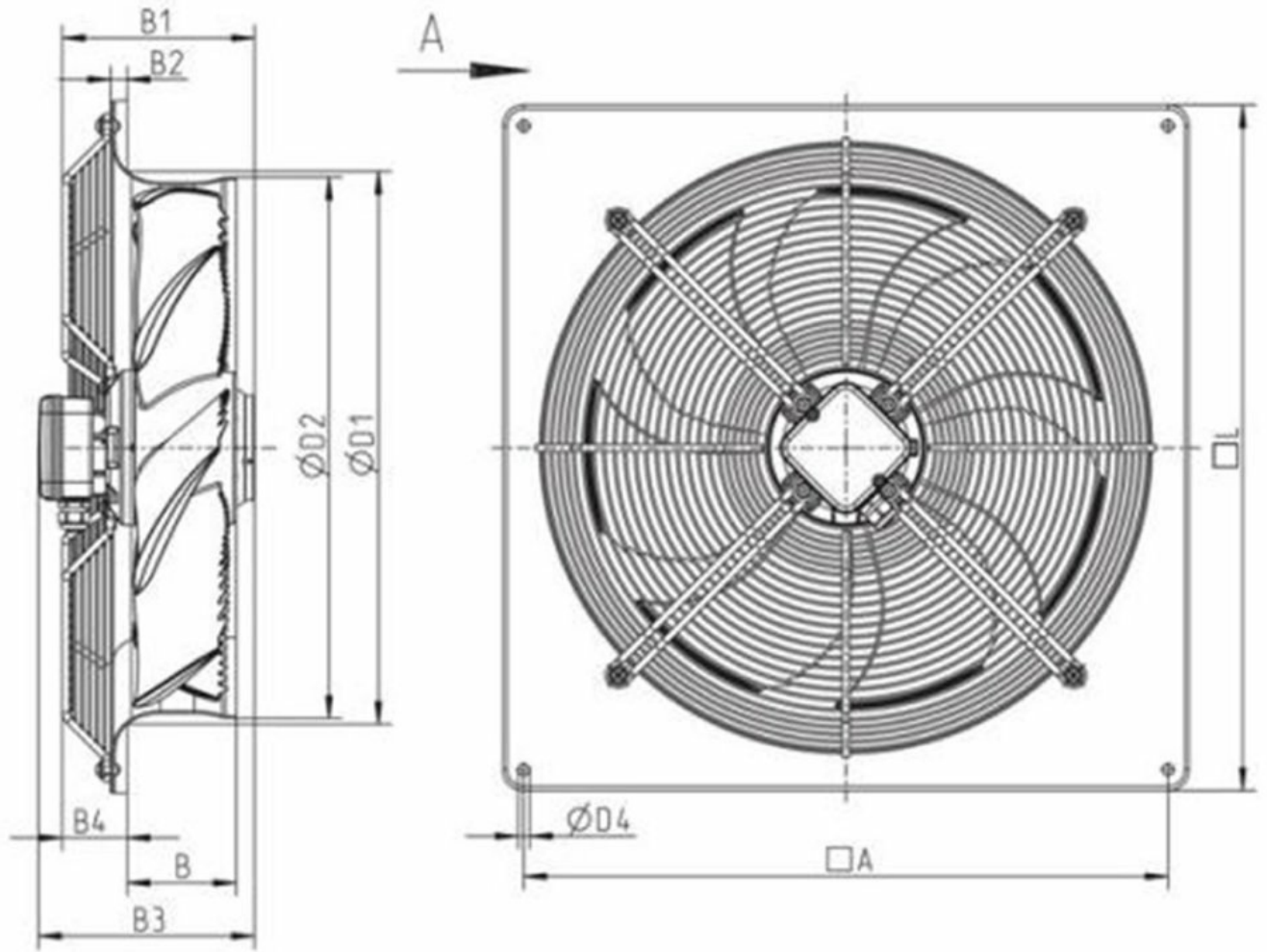
Performance curve



Hydraulic data

Required air flow	0.87 m³/s
Required static pressure	58 Pa
Working air flow	0.87 m³/s
Working static pressure	58 Pa
Air density	1.204 kg/m³
Power	189.4 W
Fan control - RPM	911 rpm
Current	0.89 A
SFP	0.217 kW/m³/s
Control voltage	230.0 V
Supply voltage	230 V

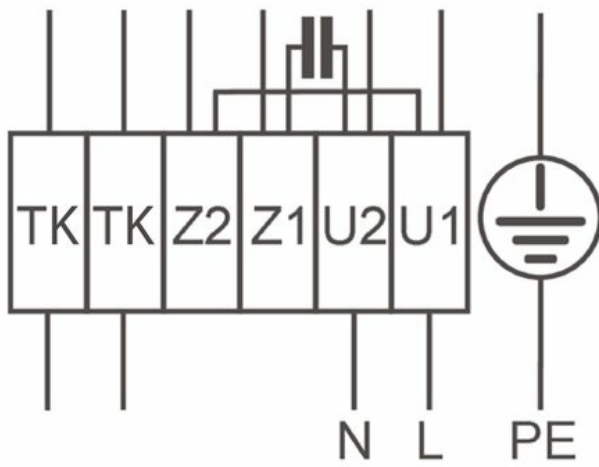
Dimension



	□A	B	B1	B2	B3	B4	ØD1	ØD2	ØD4	□L
AW 450E6	535	96	171	14	206	47	480	463	11	575

Wiring

Linkslauf
Counter Clockwise rotation
Rotation á gauche



Accessories

- AWE-SK Motorprotection 2A/230V (5138)
- REU 1.5 Speed control (5004)
- RTRE 1,5 Speed control (5008)
- S-ET 10 Motor Protection (5154)
- REE 1 Speed control (5314)
- REV-5POL/05 ON/OFF (33979)
- SG AW-D BGr 045/042, RAL 9005 (30602)
- VK-45 Louvre shutter (5645)

Documents

- BAL-AXIAL-SILEO-SYSTEMAIR-08-2013.PDF
- EU_DECLARATION_OF_CONFORMITY_AXIAL_FANS_EN_003.PDF
- installation variations_1_AR_AW.pdf