

AW 400E4-L sileo Axial fan

Axial fan

Item Number: [34164](#)

Variant: 230V 1~ 50Hz - D (Delta)

speed controllable by voltage reduction, plus option of 2-step operation by D/Y switching for 400V versions

inlet protection guard

safe and maintenance free operation

can be installed in any mounting position

electric connection via terminal box mounted on the motor

single phase fans are supplied with capacitor

Axial fans of the AW sileo range do have a bionic shape of the fan blade, and are driven by external rotor motors. The AW range is equipped with a square wall plate, galvanized steel and powder coated in black (RAL9005). The protection guard at the inlet side is powder coated in black. The axial impeller is manufactured from black high efficiency composite material. The impeller is balanced dynamically in two levels in accordance with DIN ISO 1940 part 1, quality G6.3.

The motors are equipped with thermal contacts for motor protection, with leads to be connected to a motor protection unit, for example Systemair unit S-ET.



Technical parameters

Norminal data		
Voltage (Nominal)	230	V
Frequency	50	Hz
Phase(s)	1~	
Motor circuit connection	D	
Input power	260	W
Input current	1.15	A
Impeller speed	1,320	r.p.m.
Air flow	max 1.226	m ³ /s
Capacitance of capacitor	5	µF
Temperature of transported air	max 55	°C
Max temperature of transported air, when speed controlled	55	°C
Sound data		
Sound pressure level at 1m	66	dB(A)

Protection/Classification

Enclosure class, motor	IP54
------------------------	------

Insulation class	F
------------------	---

Data according to ErP

ErP ready	ErP 2018
-----------	----------

Dimensions and weights

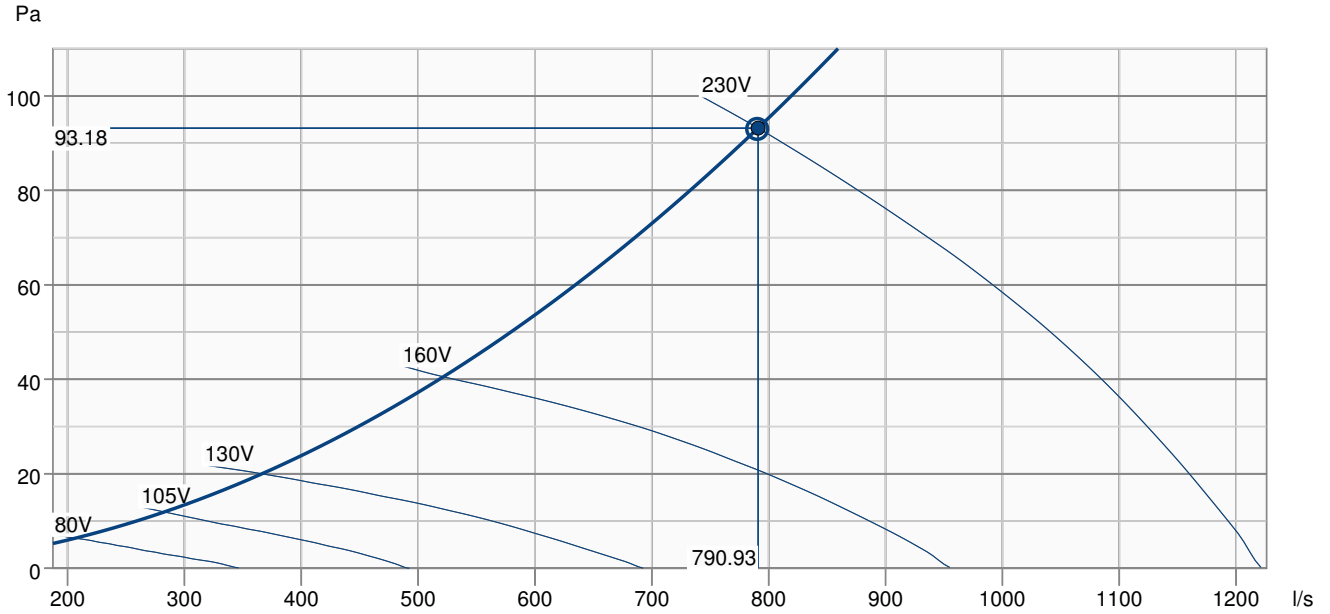
Weight	8.7 kg
--------	--------

Others

Color name, casing	Black
--------------------	-------

Motor type	AC
------------	----

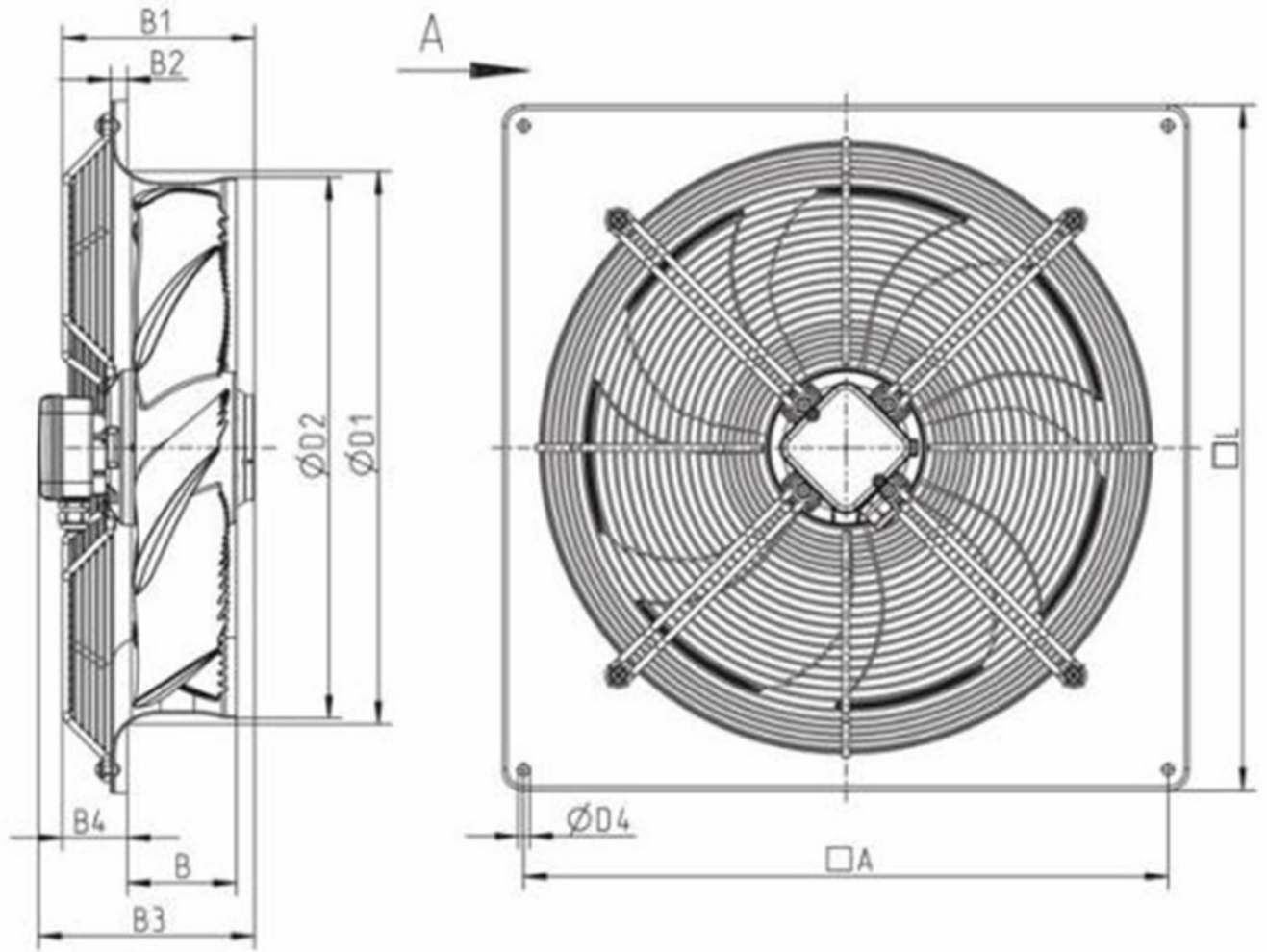
Performance curve



Hydraulic data

Required air flow	790.14 l/s
Required static pressure	93 Pa
Working air flow	790.93 l/s
Working static pressure	93 Pa
Air density	1.204 kg/m ³
Power	257.1 W
Fan control - RPM	1322 rpm
Current	1.13 A
SFP	0.325 kW/m ³ /s
Control voltage	230.0 V
Supply voltage	230 V

Dimension



	□A	B	B1	B2	B3	B4	ØD1	ØD2	ØD4	□L
AW 400DV-L	490	88	146	12	182	54	420	412	9	540
AW 400E4-L	490	88	146	12	182	54	420	412	9	540

Wiring

Linkslauf
Counter Clockwise rotation
Rotation á gauche

