

AW 400DV-L sileo Axial fan

Article Number: 34165

Variant : 400V 3~ 50Hz - D (Delta)



Description

speed controllable by voltage reduction, plus option of 2-step operation by D/Y switching for 400V versions

inlet protection guard

safe and maintenance free operation

can be installed in any mounting position

electric connection via terminal box mounted on the motor

single phase fans are supplied with capacitor

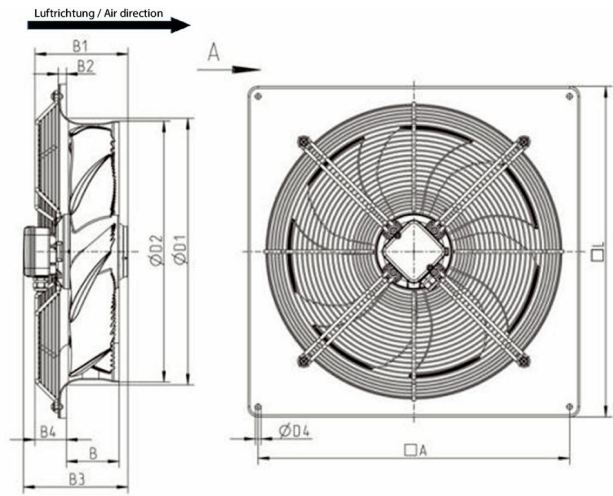
Axial fans of the AW sileo range do have a bionic shape of the fan blade, and are driven by external rotor motors. The AW range is equipped with a square wall plate, galvanized steel and powder coated in black (RAL9005). The protection guard at the inlet side is powder coated in black. The axial impeller is manufactured from...

[Find more details in our online catalogue](#)

Technical parameters

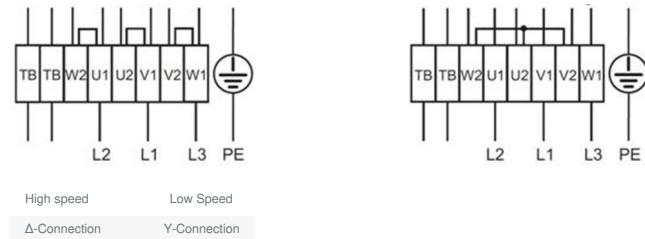
Nominal data	
Voltage (Nominal)	400 V
Frequency	50 Hz
Phase(s)	3~
Motor circuit connection	D
Input power	260 W
Input current	0.5 A
Impeller speed	1,340 r.p.m.
Air flow	max 1.218 m³/s
Temperature of transported air	max 70 °C
Max temperature of transported air, when speed controlled	70 °C
Sound data	
Sound pressure level at 1m	67 dB(A)
Protection/Classification	
Enclosure class, motor	IP54
Insulation class	F
Dimensions and weights	
Weight	8.7 kg
Others	
Color name, casing	Black
Motor type	AC

Dimension

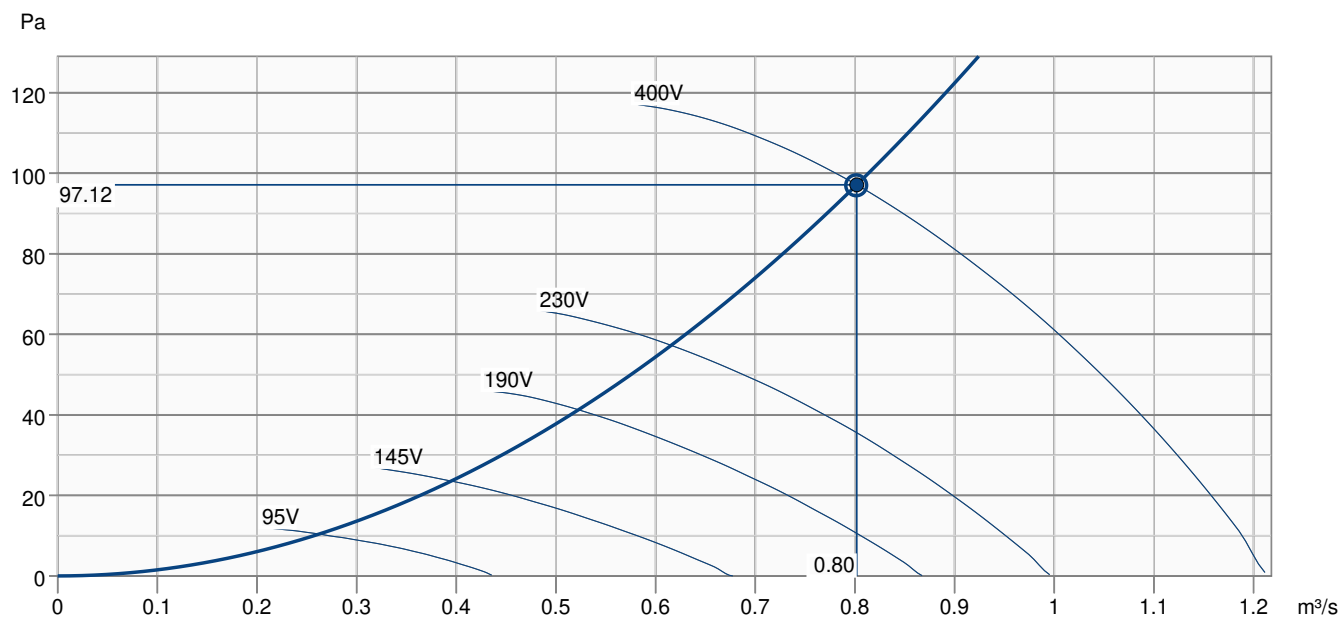


	□A	B	B1	B2	B3	B4	ØD1	ØD2	ØD4	□L
AW 400DV-L	490	88	146	12	182	54	420	412	9	540
AW 400E4-L	490	88	146	12	182	54	420	412	9	540

Wiring



Performance curve



Hydraulic data

Required air flow	0.80 m³/s
Required static pressure	97 Pa
Working air flow	0.80 m³/s
Working static pressure	97 Pa
Air density	1.204 kg/m³
Power	250.4 W
Fan control - RPM	1351 rpm
Current	0.48 A
SFP	0.312 kW/m³/s
Control voltage	400.0 V
Supply voltage	400 V

Accessories

AWE-SK Motorprotection 2A/230V (5138)
 RTRD 2 Speed Cont. Systemair (5941)
 S-DT 16E Motor Protection (161207)
 SG AW-D BGr 040, RAL 9005 (30601)
 VK-40 Louvre shutter (5643)

REV-5POL/07-7,5kW R/Y (33980)
 RTRDU 2 Speed contr. Systemair (5945)
 S-DT2SKT Two speed switch Y/D (2697)
 RAW 400/450 Roof Cowl c/w BG (86511)

Documents

BAL-AXIAL-SILEO-SYSTEMAIR-08-2013.PDF
 UKCA-declaration of conformity_AXC_001