

# AW 315E4 sileo Axial fan

## Axial fan

Item Number: 34121

Variant: 230V 1~ 50Hz

speed controllable by voltage reduction

inlet protection guard

safe and maintenance free operation

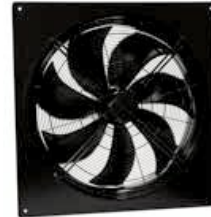
can be installed in any mounting position

electric connection via terminal box mounted on the motor

single phase fans are supplied with capacitor

Axial fans of the AW sileo range do have a bionic shape of the fan blade, and are driven by external rotor motors. The AW range is equipped with a square wall plate, galvanized steel and powder coated in black (RAL9005). The protection guard at the inlet side is powder coated in black. The axial impeller is manufactured from black high efficiency composite material. The impeller is balanced dynamically in two levels in accordance with DIN ISO 1940 part 1, quality G6.3.

The motors are equipped with thermal contacts for motor protection, with leads to be connected to a motor protection unit, for example Systemair unit S-ET.



## Technical parameters

Nominal data		
Voltage (Nominal)	230	V
Frequency	50	Hz
Phase(s)	1~	
Input power	160	W
Input current	0.67	A
Impeller speed	1,300	r.p.m.
Air flow	max 0.6767	m³/s
Capacitance of capacitor	5	µF
Temperature of transported air	max 50	°C
Max temperature of transported air, when speed controlled	50	°C
Sound data		
Sound pressure level at 1m	59	dB(A)
Protection/Classification		
Enclosure class, motor	IP44	
Insulation class	F	

**Dimensions and weights**

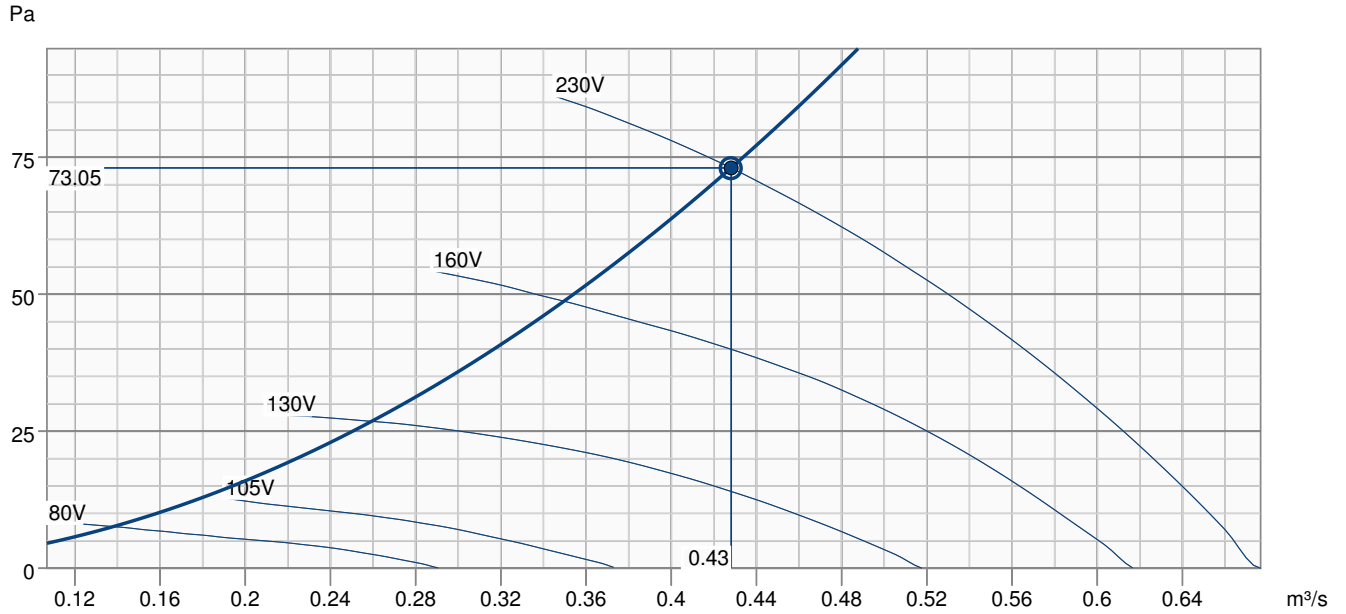
Weight	6 kg
--------	------

**Others**

Color name, casing	Black
--------------------	-------

Motor type	AC
------------	----

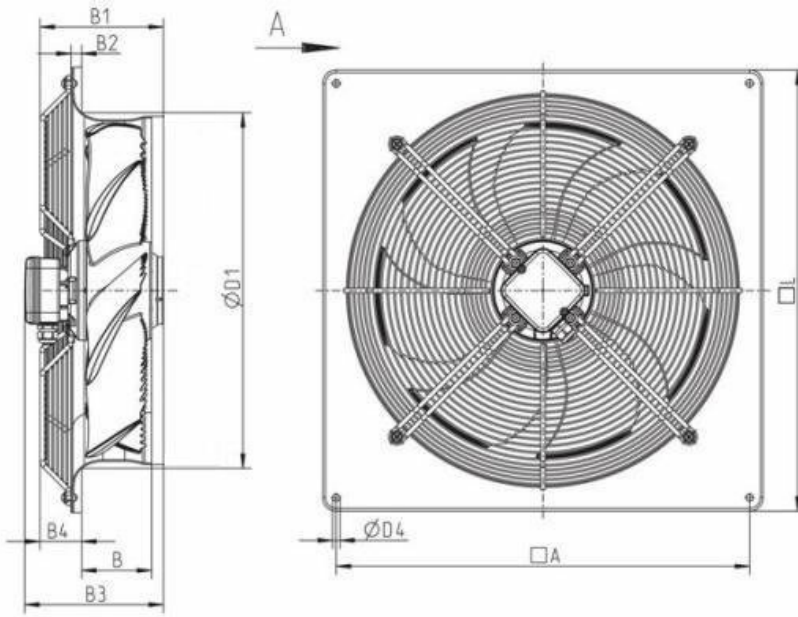
## Performance curve



### Hydraulic data

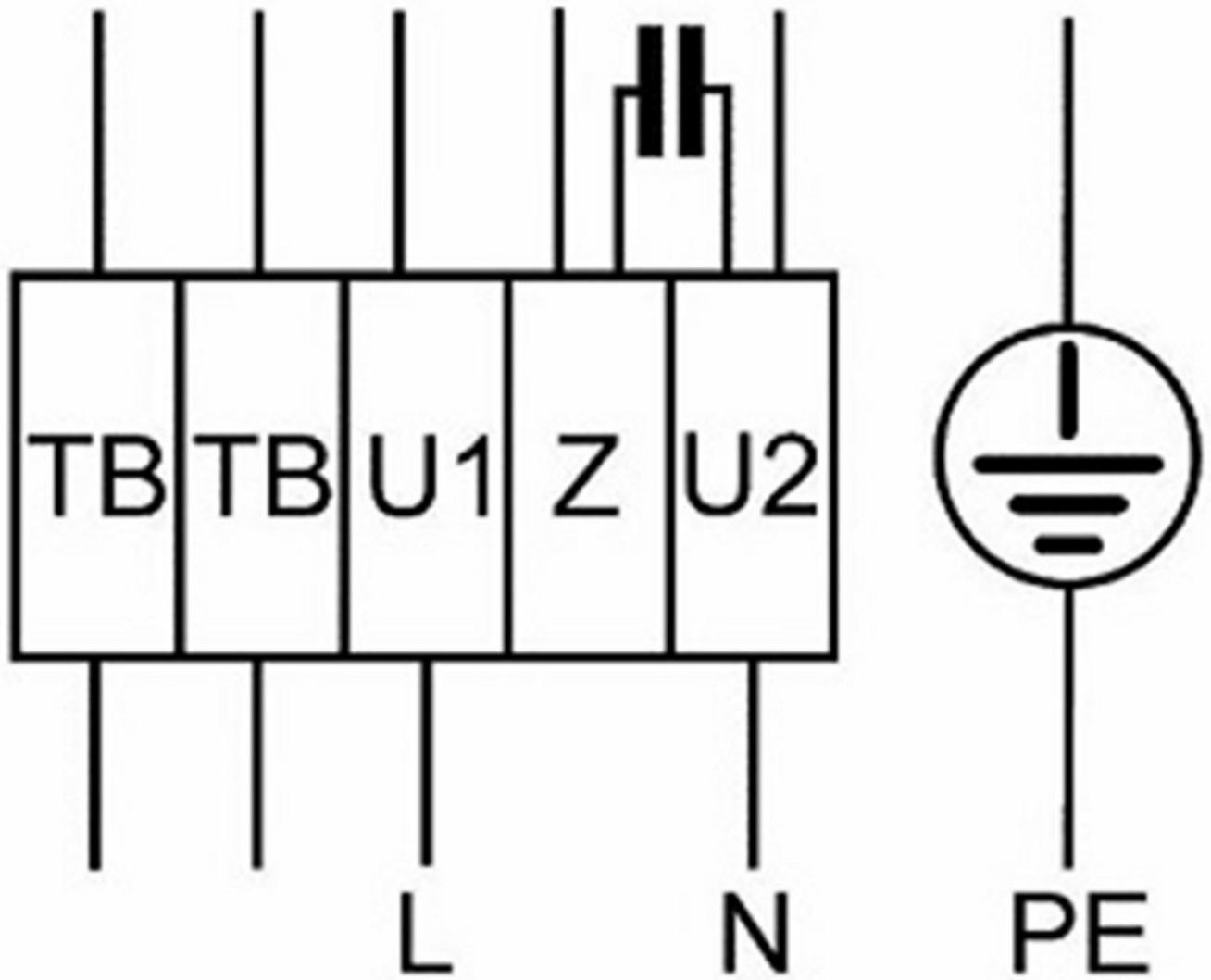
Required air flow	0.43 m³/s
Required static pressure	73 Pa
Working air flow	0.43 m³/s
Working static pressure	73 Pa
Air density	1.204 kg/m³
Power	134.5 W
Fan control - RPM	1360 rpm
Current	0.60 A
SFP	0.314 kW/m³/s
Control voltage	230.0 V
Supply voltage	230 V

## Dimension



	□A	B	B1	B2	B3	B4	ØD1	ØD4	□L
AW 315DV	380	69	118	11	182	19	330	9	430
AW 315E4	380	63	132	11	173	48	349	9	430

## Wiring



## Accessories

- AWE-SK Motorprotection 2A/230V (5138)
- REU 1.5 Speed control (5004)
- RTRE 1,5 Speed control (5008)
- RAW 300/315 Roof Cowl c/w BG (86491)
- STL 1.5 Speed controller (84251)
- REE 1 Speed control (5314)
- REV-5POL/05 ON/OFF (33979)
- VK-30 Louvre shutter (5641)
- S-ET 10 Motor Protection (5154)

## Documents

- BAL-AXIAL-SILEO-SYSTEMAIR-08-2013.PDF
- EU\_DECLARATION\_OF\_CONFORMITY\_AXIAL\_FANS\_EN\_003.PDF