

AW 315DV sileo Axial fan

Axial wall fan

Item Number: 34120

Variant: 400V 3~ 50Hz - D (Delta)

speed controllable by voltage reduction, plus option of 2-step operation by D/Y switching for 400V versions

inlet protection guard

safe and maintenance free operation

can be installed in any mounting position

electric connection via terminal box mounted on the motor

single phase fans are supplied with capacitor

Axial fans of the AW sileo range do have a bionic shape of the fan blade, and

are driven by external rotor motors. The AW range is equipped with a square wall plate, galvanized steel and powder coated in black (RAL9005). The protection guard at the inlet side is powder coated in black. The axial impeller is manufactured from black high efficiency composite material. The impeller is balanced dynamically in two levels in accordance with DIN ISO 1940 part 1, quality G6.3.

The motors are equipped with thermal contacts for motor protection, with leads to be connected to a motor protection unit.

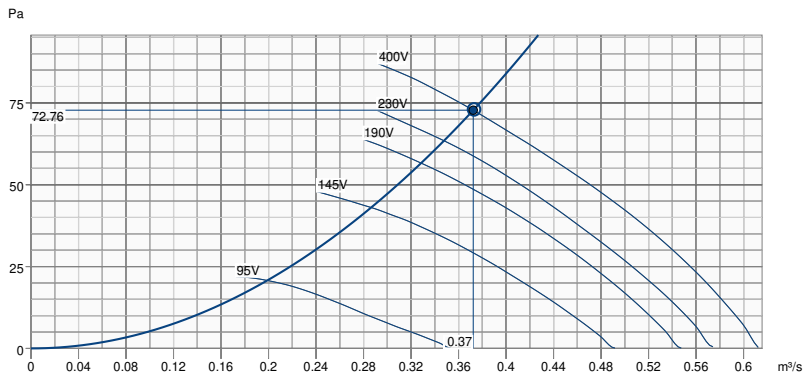


Technical parameters

Nominal data	
Voltage (Nominal)	400 V
Frequency	50 Hz
Phase(s)	3~
Motor circuit connection	D
Input power	120 W
Input current	0.39 A
Impeller speed	1,450 r.p.m.
Air flow	max 0.6156 m ³ /s
Temperature of transported air	max 70 °C
Max temperature of transported air, when speed controlled	70 °C
Sound data	
Sound pressure level at 1m	62 dB(A)
Protection/Classification	
Enclosure class, motor	IP54
Insulation class	F
Dimensions and weights	
Weight	6.8 kg
Others	
Color name, casing	Black
Motor type	AC

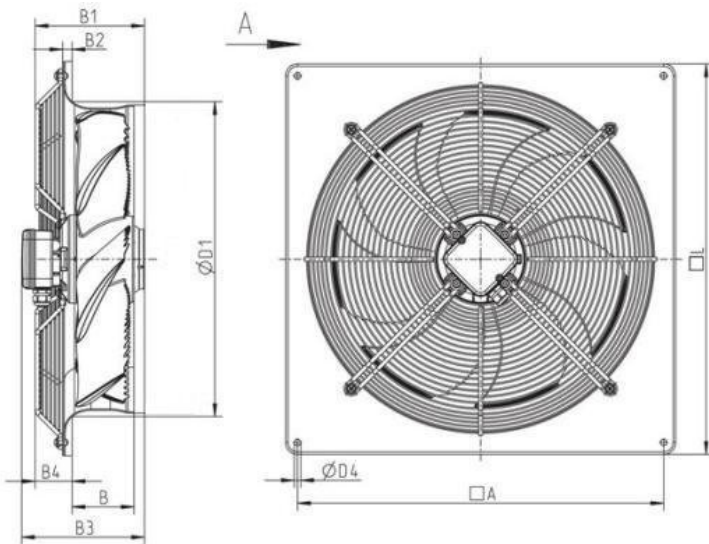
Performance

Performance curve



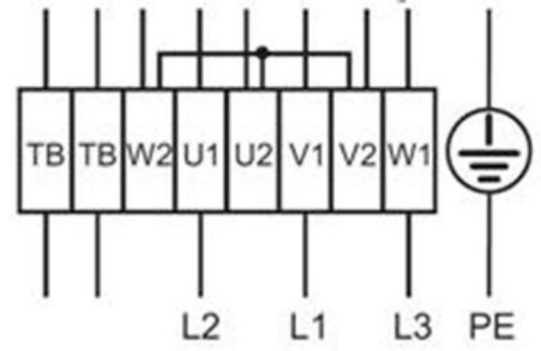
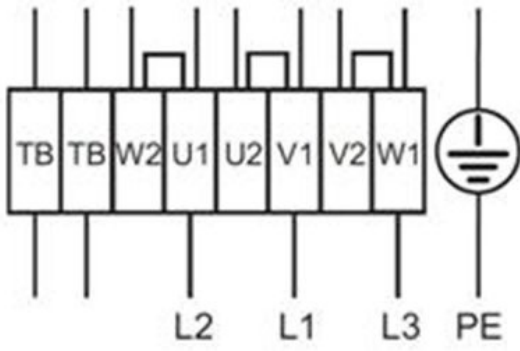
Hydraulic data	
Required air flow	0.37 m³/s
Required static pressure	73 Pa
Working air flow	0.37 m³/s
Working static pressure	73 Pa
Air density	1.204 kg/m³
Power	120.3 W
Fan control - RPM	1451 rpm
Current	0.39 A
SFP	0.323 kW/m³/s
Control voltage	400.0 V
Supply voltage	400 V

Dimension



	$\square A$	B	B1	B2	B3	B4	$\varnothing D1$	$\varnothing D4$	$\square L$
AW 315DV	380	69	118	11	182	19	330	9	430
AW 315E4	380	63	132	11	173	48	349	9	430

Wiring



High speed

Low Speed

Δ -Connection

Y-Connection