

AW 300E4 sileo Axial fan

Axial wall fan

Item Number: [34119](#)

Variant: 230V 1~ 50Hz

speed controllable by voltage reduction
 inlet protection guard
 safe and maintenance free operation
 can be installed in any mounting position
 electric connection via terminal box mounted on the motor
 single phase fans are supplied with capacitor



Axial fans of the AW sileo range do have a bionic shape of the fan blade, and are driven by external rotor motors. The AW range is

equipped with a square wall plate, galvanized steel and powder coated in black (RAL9005). The protection guard at the inlet side is powder coated in black. The axial impeller is manufactured from black high efficiency composite material. The impeller is balanced dynamically in two levels in accordance with DIN ISO 1940 part 1, quality G6.3.

The motors are equipped with thermal contacts for motor protection, with leads to be connected to a motor protection unit, for example Systemair unit S-ET.

Technical parameters

Norminal data		
Voltage (Nominal)	230	V
Frequency	50	Hz
Phase(s)	1~	
Input power	100	W
Input current	0.41	A
Impeller speed	1,330	r.p.m.
Air flow	max 0.5839	m ³ /s
Capacitance of capacitor	3	µF
Temperature of transported air	max 60	°C
Max temperature of transported air, when speed controlled	60	°C
Sound data		
Sound pressure level at 1m	56	dB(A)
Protection/Classification		
Enclosure class, motor	IP44	
Insulation class	F	

Dimensions and weights

Weight	5.4 kg
--------	--------

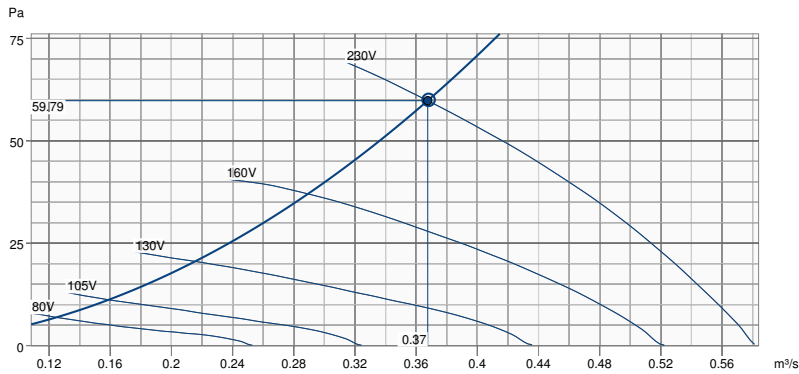
Others

Color name, casing	Black
--------------------	-------

Motor type	AC
------------	----

Performance

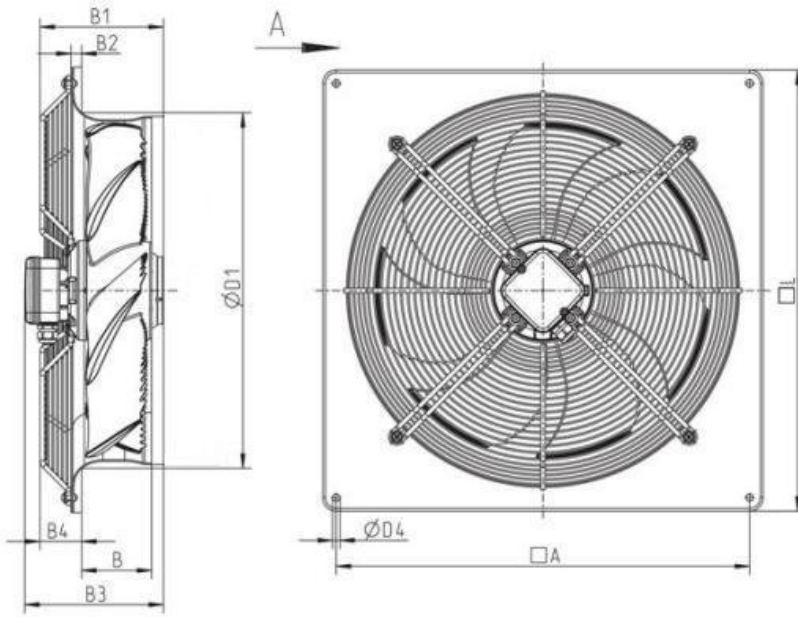
Performance curve



Hydraulic data

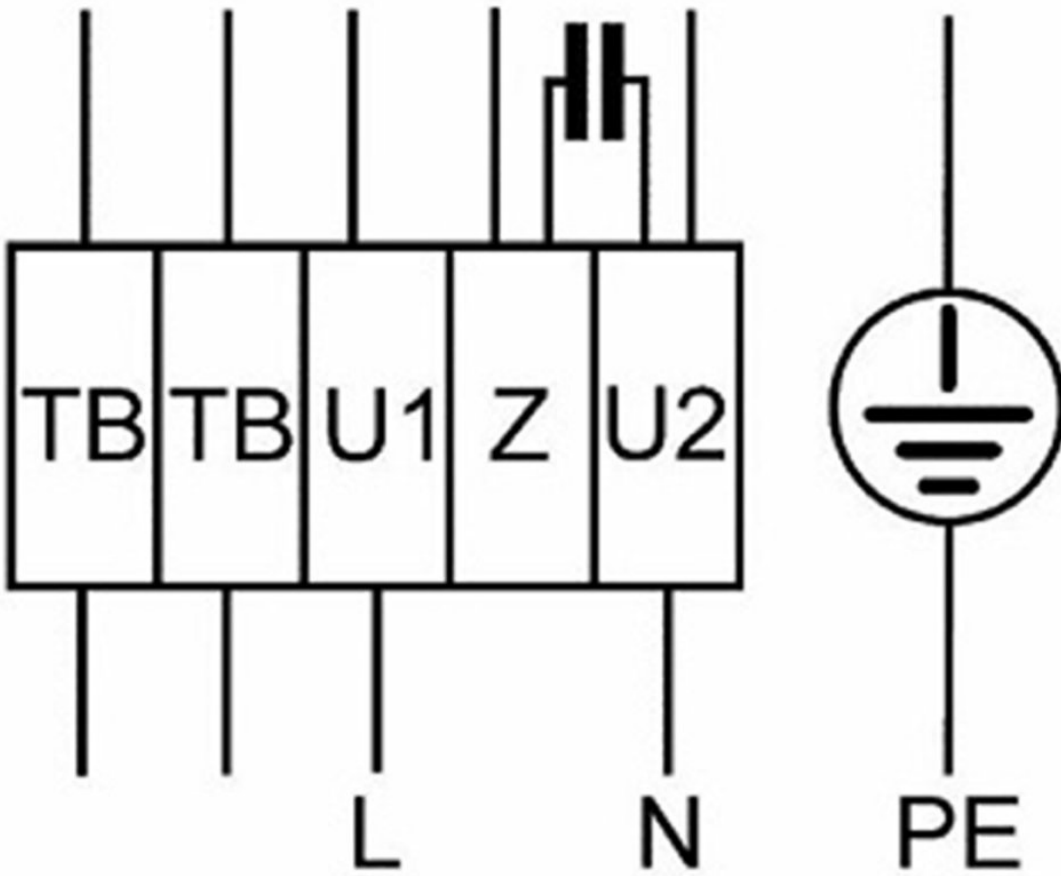
Required air flow	0.37 m³/s
Required static pressure	60 Pa
Working air flow	0.37 m³/s
Working static pressure	60 Pa
Air density	1.204 kg/m³
Power	94.2 W
Fan control - RPM	1336 rpm
Current	0.41 A
SFP	0.256 kW/m³/s
Control voltage	230.0 V
Supply voltage	230 V

Dimension



	□A	B	B1	B2	B3	B4	ØD1	ØD4	□L
AW 300E4	380	69	103	11	165	28	326	9	430

Wiring



Accessories

- AWE-SK Motorprotection 2A/230V (5138)
- REU 1.5 Speed control (5004)
- RTRE 1,5 Speed control (5008)
- VK-30 Louvre shutter (5641)
- REE 1 Speed control (5314)
- REV-5POL/05 ON/OFF (33979)
- S-ET 10 Motor Protection (5154)
- RAW 300/315 Roof Cowl c/w BG (86491)

Documents

- BAL-AXIAL-SILEO-SYSTEMAIR-08-2013.PDF
- EU_DECLARATION_OF_CONFORMITY_AXIAL_FANS_EN_004.PDF