

## AW Axial Fans

### Low pressure axial wall fans up to 39.000 m<sup>3</sup>/h

- Available with AC and EC motors for 50 and 60Hz
- Installation in any position
- Noise and energy optimized impeller

[Find more details in our online catalogue](#)



### Flexible

The AW fans are **designed** for extracting air in **low pressure systems**. They can be installed in any position and way according to your demands.

This ensures that the fans can be used in a variety of **commercial** and **industrial** applications.

### Performance

The **noise optimized** axial impellers together with the **high efficient** external rotor motors are designed to ensure high-level performance to **minimize power consumption** and **maximize efficiency**.

## Certifications



Green Ventilation

## Features

### Construction

The square wall plate is made of galvanized steel with powder coating in RAL9005.

The range with **AC motors**, sizes **200-630** are provided **with inlet protection grid** and sizes **710-1000 without inlet protection grid**.

The **complete** range with **EC motors** is provided **with inlet protection grid**.

Depending on the type, the fans are equipped with an external **terminal box**, protection class **IP44, IP54 or IP55**.

### Impeller

The AW fans use **axial impellers**. These are made of **coated steel**, **composite** material or **aluminum**, are dynamically **balanced** and are paired with corresponding external rotor motors.

### Motor

Depending on type, AW fans are equipped with an **AC** or **EC external rotor motor**. The motors are suitable for **50Hz** and **60Hz**.

### Motor protection

Sizes **200-300** with **AC** motors are available with **integrated** thermal protection with manual (electrical) reset.

Sizes **200-1000** with **AC** motors are available with prewired integral **thermal contact** with leads to a **motor protection device**.

Models with **EC** motors have an **integrated** electronic, **thermal protection** including **locked-rotor protection** and **soft-start**.

### Control

**EC motors** can be controlled by an external **signal of 0-10V**.

**EC motors depending on size** are also equipped with **ModBus** communication or **alarm signal**.

**AC motors** can be controlled by **5-step**, **stepless** speed regulator or **frequency inverter**.

### Installation

The AW fans can be installed in **any position** on **wall** or **ceiling** in **indoor** environments.

## Technical parameters

### Nominal data

Voltage (nominal)	230	V
Frequency	60; 50	Hz
Phases	1~	
Input power	83	W
Input current	0.72	A
Impeller speed	2,330	rpm
Air flow	max 0.475	m³/s
Temperature of transported air	max 60	°C
Max temperature of transported air, when speed controlled	60	°C

### Protection/Classification

Enclosure class, motor	IP54
Insulation class	B

### Data according to ErP

ErP ready	ErP 2018
-----------	----------

### Dimensions and weights

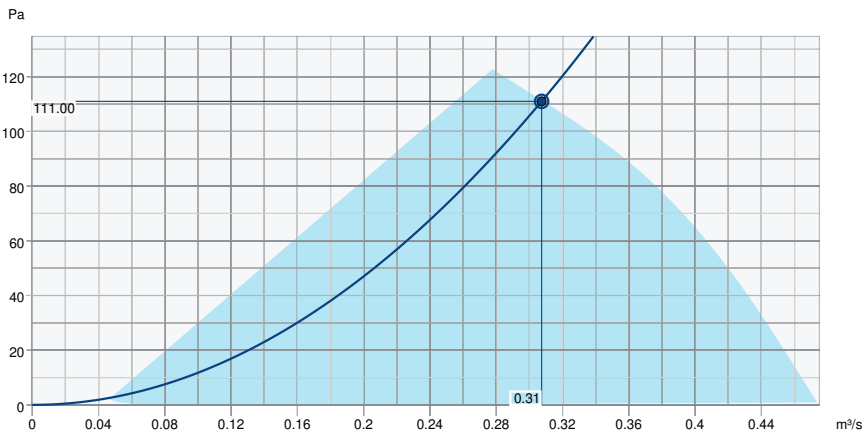
Weight	3.3	kg
--------	-----	----

### Others

Color name, casing	Black
Motor type	EC

## Performance

### Performance curve



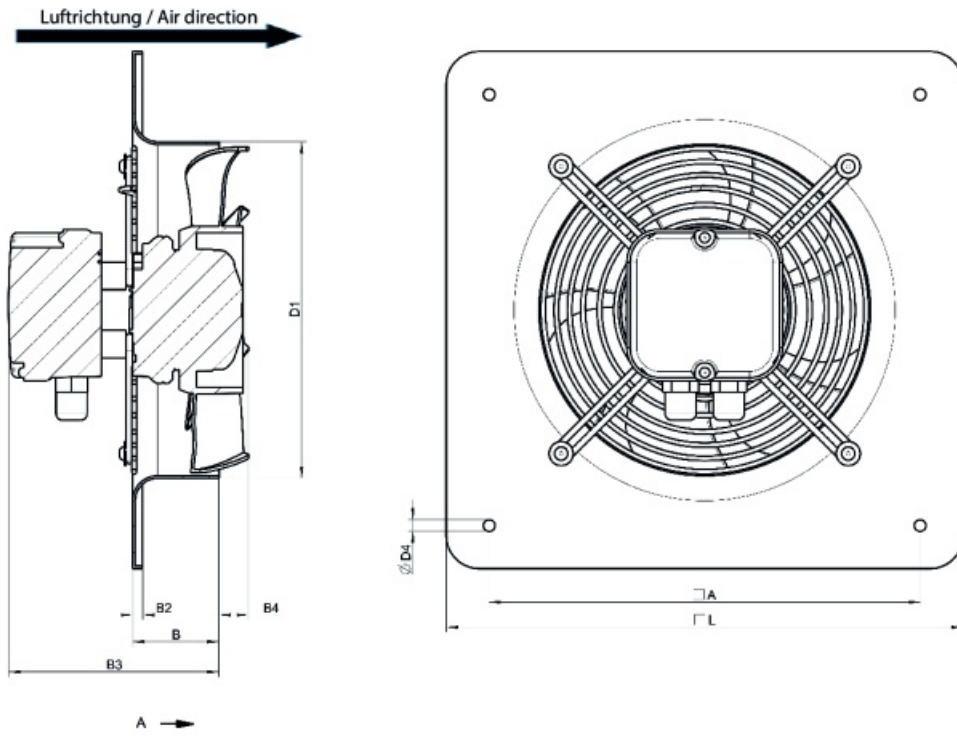
#### Hydraulic data

Required air flow	0.31 m³/s
Required static pressure	111 Pa
Working air flow	0.31 m³/s
Working static pressure	111 Pa
Air density	1.204 kg/m³
Power	83.4 W
Fan control - RPM	2,330 rpm
Current	0.70 A
SFP	0.271 kW/m³/s
Control voltage	10.0 V
Supply voltage	230 V

Sound power level		63	125	250	500	1k	2k	4k	8k	Total
Inlet	dB(A)	41	59	65	69	68	68	64	55	74

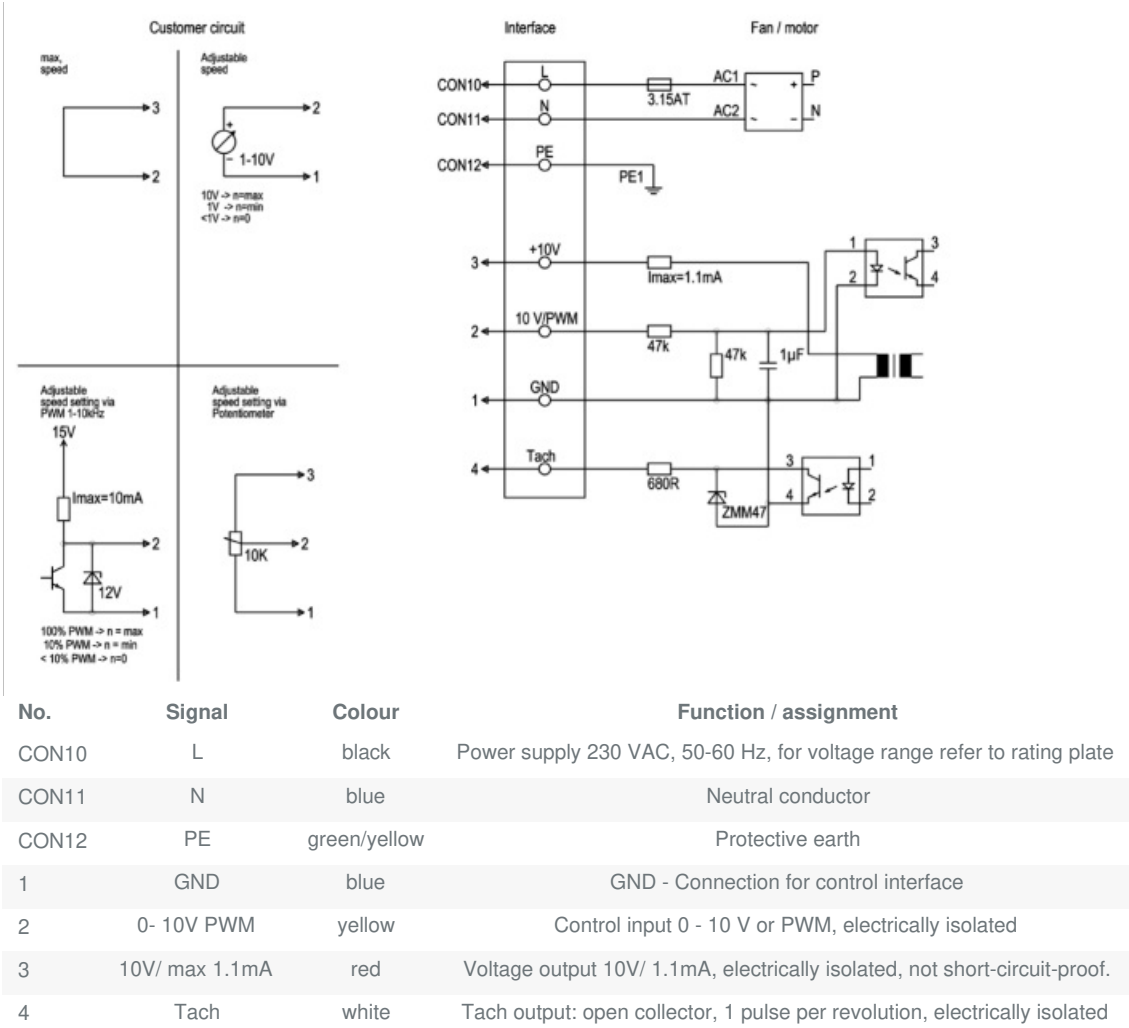
#### Accessories

## Dimension



	□A	B	B2	B3	B4	ØD1	ØD4	□L
AW 250 EC sileo	320	57	6	132	22	260	7	370

## Wiring



## Accessories

- EC-Basic-CO2 and temperature (24808)
- EC-Basic-T temperature (24805)
- EC-Vent control board (3115)
- MTP 10, 10K, Speed control (32731)
- Potentiometer MTP 20, 0-10V (310220)
- Step switch S-5EC, 0-10V (76738)
- VK-25 Louvre shutter (5640)
- EC-Basic-H humidity (24807)
- EC-Basic-U universal 0-10V (24806)
- EC-Vent Room Unit (3018)
- MTV-1/010 Controller 0..10V+ (30650)
- REV-3POL/03-7,5kW R/Y (33978)
- Step switch S-5EC-2, 0-10V (449084)
- BMS Trickle & Boost Switch (120363)

## Documents

- MANUAL\_AW\_\_AR\_EBM\_EN\_003-MIN.PDF
- DWG - 35855
- UKCA Declaration of Conformity\_001
- installation variations\_2\_AR\_AW.pdf