

AW Axial Fans

Low pressure axial wall fans up to 39.000 m³/h

- Available with AC and EC motors for 50 and 60Hz
- Installation in any position
- Noise and energy optimized impeller

[Find more details in our online catalogue](#)



Flexible

The AW fans are **designed** for extracting air in **low pressure systems**. They can be installed in any position and way according to your demands.

This ensures that the fans can be used in a variety of **commercial** and **industrial** applications.

Performance

The **noise optimized** axial impellers together with the **high efficient** external rotor motors are designed to ensure high-level performance to **minimize power consumption** and **maximize efficiency**.

Certifications



Green Ventilation

Features

Construction

The square wall plate is made of galvanized steel with powder coating in RAL9005.

The range with **AC motors**, sizes **200-630** are provided **with inlet protection grid** and sizes **710-1000 without inlet protection grid**.

The **complete** range with **EC motors** is provided **with inlet protection grid**.

Depending on the type, the fans are equipped with an external **terminal box**, protection class **IP44, IP54 or IP55**.

Impeller

The AW fans use **axial impellers**. These are made of **coated steel**, **composite** material or **aluminum**, are dynamically **balanced** and are paired with corresponding external rotor motors.

Motor

Depending on type, AW fans are equipped with an **AC** or **EC external rotor motor**. The motors are suitable for **50Hz** and **60Hz**.

Motor protection

Sizes **200-300** with **AC** motors are available with **integrated** thermal protection with manual (electrical) reset.

Sizes **200-1000** with **AC** motors are available with prewired integral **thermal contact** with leads to a **motor protection device**.

Models with **EC** motors have an **integrated** electronic, **thermal protection** including **locked-rotor protection** and **soft-start**.

Control

EC motors can be controlled by an external **signal of 0-10V**.

EC motors depending on size are also equipped with **ModBus** communication or **alarm signal**.

AC motors can be controlled by **5-step**, **stepless** speed regulator or **frequency inverter**.

Installation

The AW fans can be installed in **any position** on **wall** or **ceiling** in **indoor** environments.

Technical parameters

Nominal data

Voltage (nominal)	230	V
Frequency	50; 60	Hz
Phases	1~	
Input power	167	W
Input current	1.36	A
Impeller speed	2,245	rpm
Air flow	max 0.883	m³/s
Air flow at max. efficiency	0.4986	m³/s
Specific ratio	1,000000	
Temperature of transported air	max 60	°C
Max temperature of transported air, when speed controlled	60	°C

Protection/Classification

Enclosure class, motor	IP54
Insulation class	B

Data according to ErP

ErP ready	ErP 2018
Measurement category	A
Efficiency grade	54.5 η_{actual}
Efficiency, static	43.1 η_{statA}
Target efficiency grade ErP2013	36 $\eta_{target2013}$
Target efficiency grade ErP2015	40 $\eta_{target2015}$

Dimensions and weights

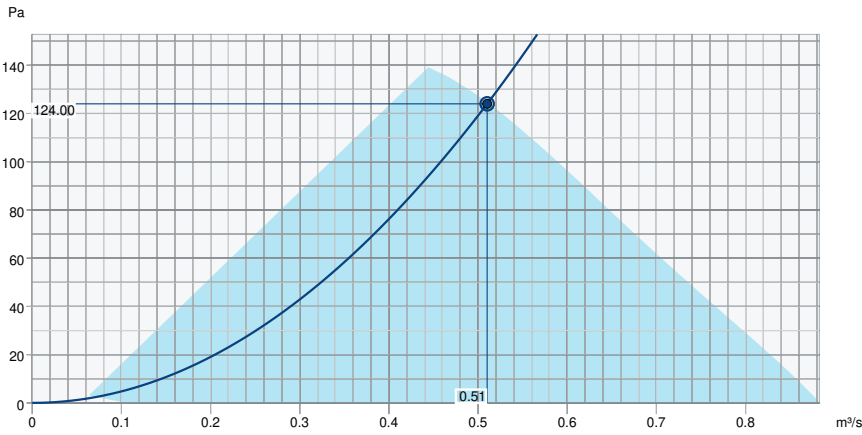
Weight	5	kg
--------	---	----

Others

Color name, casing	Black
Motor type	EC

Performance

Performance curve



Hydraulic data

Required air flow	0.51 m³/s
Required static pressure	124 Pa
Working air flow	0.51 m³/s
Working static pressure	124 Pa
Air density	1.204 kg/m³
Power	166.7 W
Fan control - RPM	2,061 rpm
Current	1.30 A
SFP	0.327 kW/m³/s
Control voltage	10.0 V
Supply voltage	230 V

Sound power level		63	125	250	500	1k	2k	4k	8k	Total
Inlet	dB(A)	51	59	59	62	63	63	59	53	69

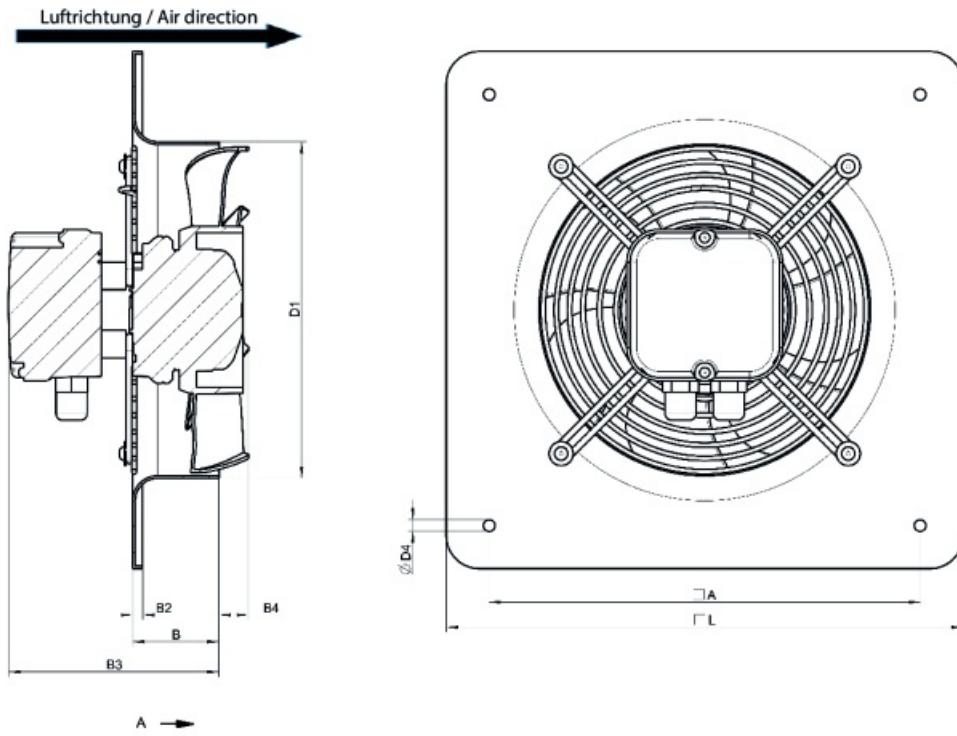
Accessories

Ecodesign

Ecodesign 327

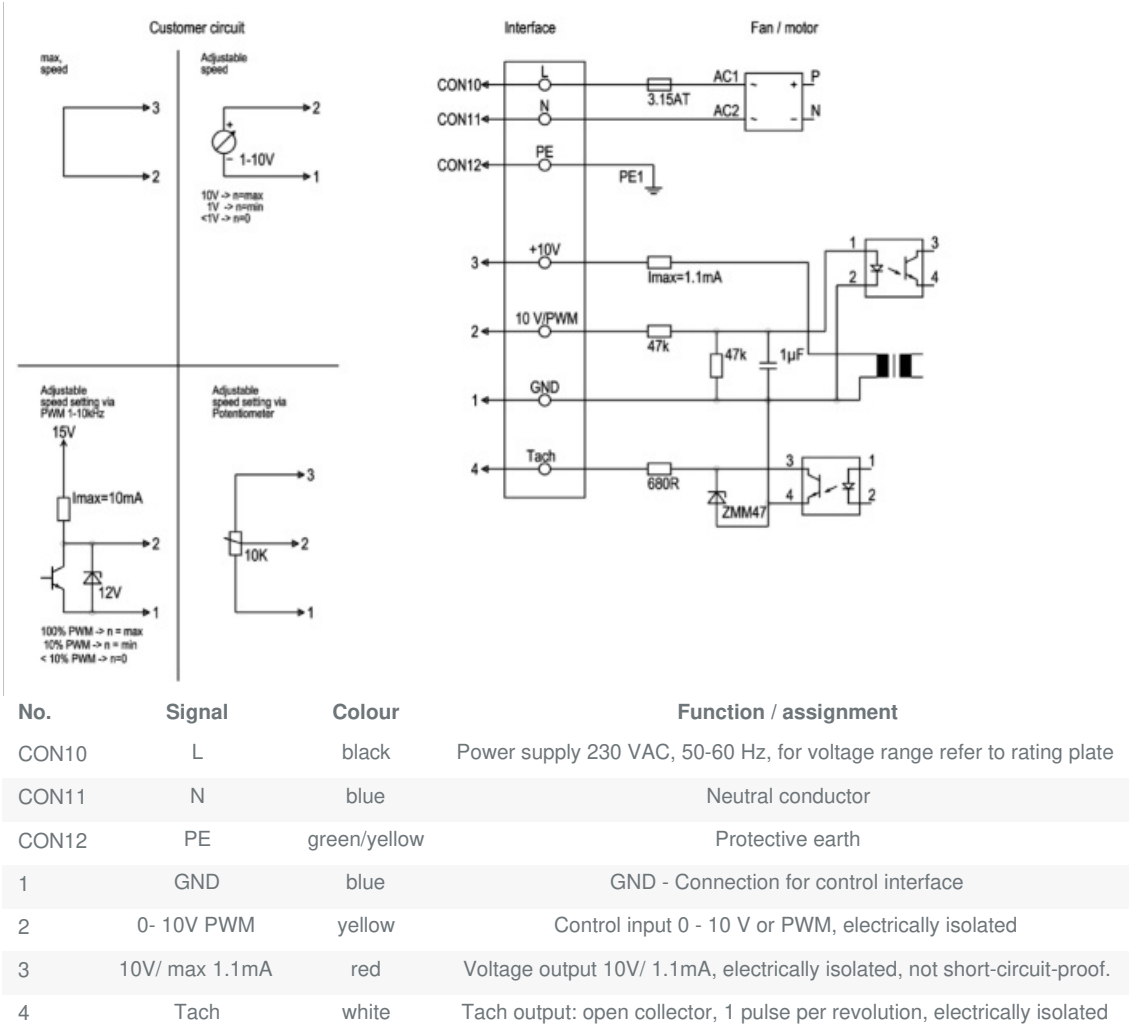
Manufacturer	Systemair GmbH	
Type	AW 300 EC	
Year of manufacture	See name plate of the fan	
Air flow qv	0.4986	m³/s
Efficiency category	static	
Efficiency grade N	54.5	
Efficiency grade target N	40	
Speed (rpm) n	2,060	rpm
Pressure increase total psf	128	Pa
Power consumption Ped	160	W
Overall efficiency	43.1	%
Overall efficiency target	28.6	%
Variable speed drive	Yes	
Additional components	Components used to calculate the energy efficiency that are not apparent from the measurement category are detailed in the CE declaration.	
Maintenance	Information on installation, operation and maintenance is provided in the operating instructions.	
Recycling / disposal	Information on recycling and disposal is provided in the operating instructions.	

Dimension



	□A	B	B2	B3	B4	ØD1	ØD4	□L
AW 300 EC sileo	380	80	11	157	11	327	9	430

Wiring



Accessories

- EC-Basic-CO2 and temperature (24808)
- EC-Basic-T temperature (24805)
- EC-Vent control board (3115)
- MTP 10, 10K, Speed control (32731)
- Potentiometer MTP 20, 0-10V (310220)
- Step switch S-5EC, 0-10V (76738)
- BMS Trickle & Boost Switch (120363)
- EC-Basic-H humidity (24807)
- EC-Basic-U universal 0-10V (24806)
- EC-Vent Room Unit (3018)
- MTV-1/010 Controller 0..10V+ (30650)
- REV-3POL/03-7,5kW R/Y (33978)
- Step switch S-5EC-2, 0-10V (449084)

Documents

- MANUAL_AW__AR_EBM_EN_003-MIN.PDF
- DWG - 35857
- UKCA Declaration of Conformity_001
- installation variations_2_AR_AW.pdf