

AW 250E4 sileo Axial fan

Axial fan

Item Number: 34117

Variant: 230V 1~ 50Hz

speed controllable by voltage reduction

inlet protection guard

safe and maintenance free operation

can be installed in any mounting position

electric connection via terminal box mounted on the motor

single phase fans are supplied with capacitor

Axial fans of the AW sileo range do have a bionic shape of the fan blade, and are driven by external rotor motors. The AW range is equipped with a square wall plate, galvanized steel and powder coated in black (RAL9005). The protection guard at the inlet side is powder coated in black. The axial impeller is manufactured from black high efficiency composite material. The impeller is balanced dynamically in two levels in accordance with DIN ISO 1940 part 1, quality G6.3.

The motors are equipped with thermal contacts for motor protection, with leads to be connected to a motor protection unit, for example Systemair unit S-ET.



Technical parameters

Norminal data		
Voltage (Nominal)	230	V
Frequency	50	Hz
Phase(s)	1~	
Input power	50	W
Input current	0.24	A
Impeller speed	1,370	r.p.m.
Air flow	max 0.2731	m³/s
Capacitance of capacitor	1.5	µF
Temperature of transported air	max 55	°C
Max temperature of transported air, when speed controlled	55	°C
Sound data		
Sound pressure level at 1m	52	dB(A)
Protection/Classification		
Enclosure class, motor	IP44	
Insulation class	F	

Dimensions and weights

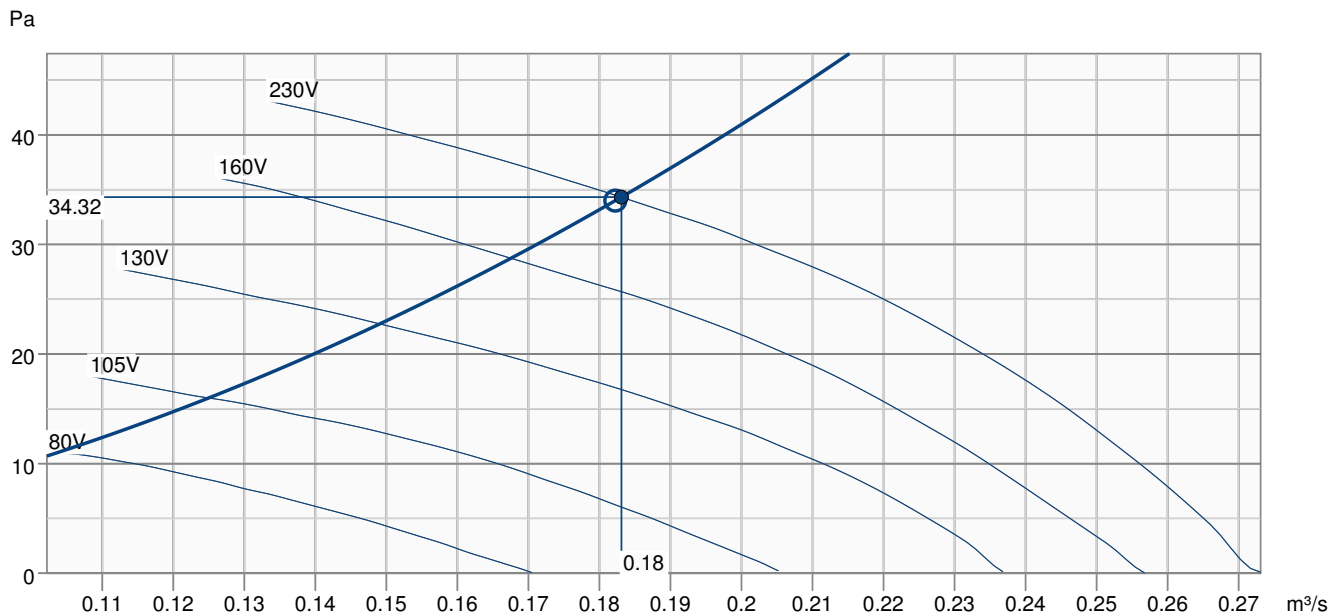
Weight	3.7 kg
--------	--------

Others

Color name, casing	Black
--------------------	-------

Motor type	AC
------------	----

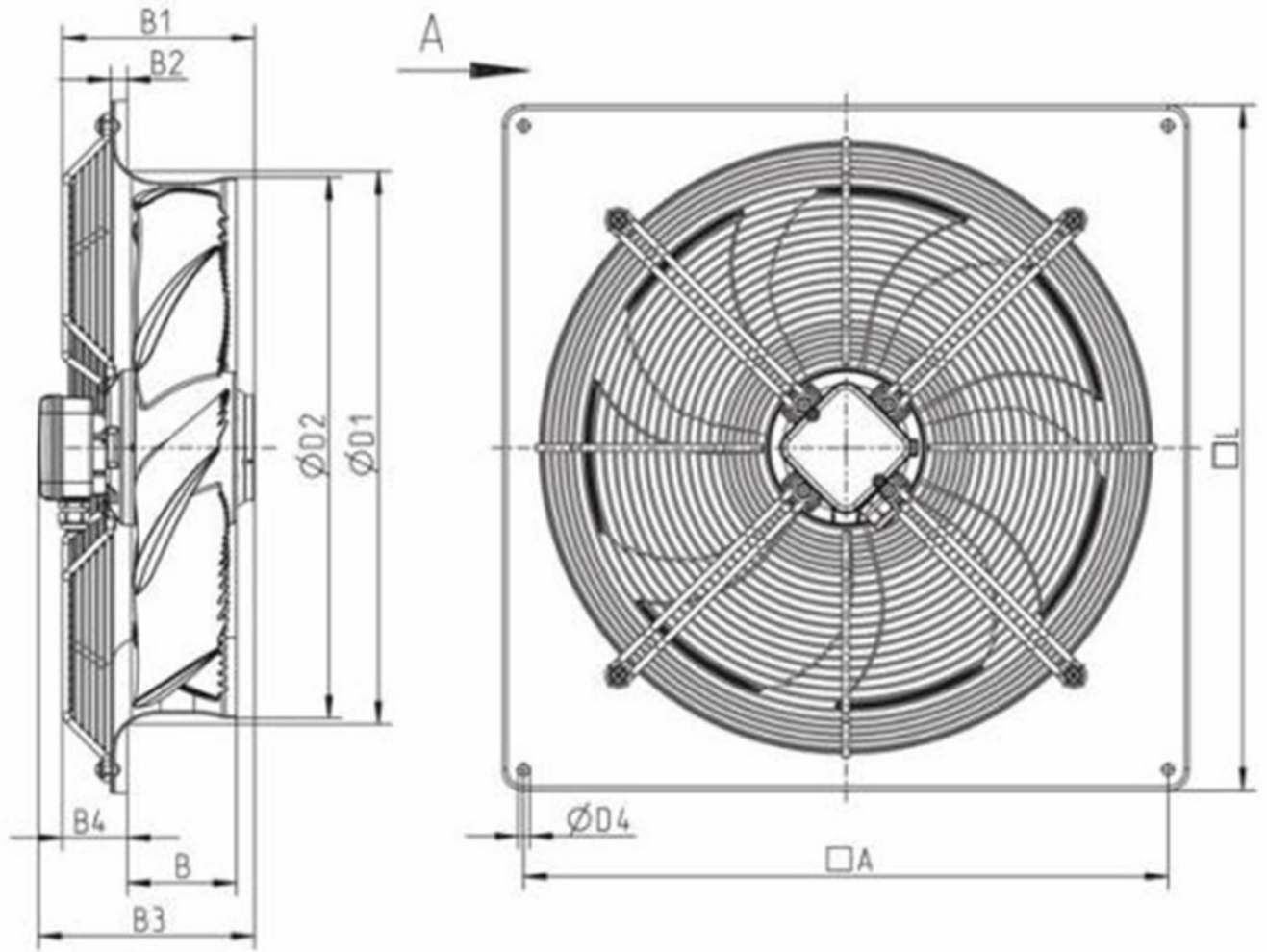
Performance curve



Hydraulic data

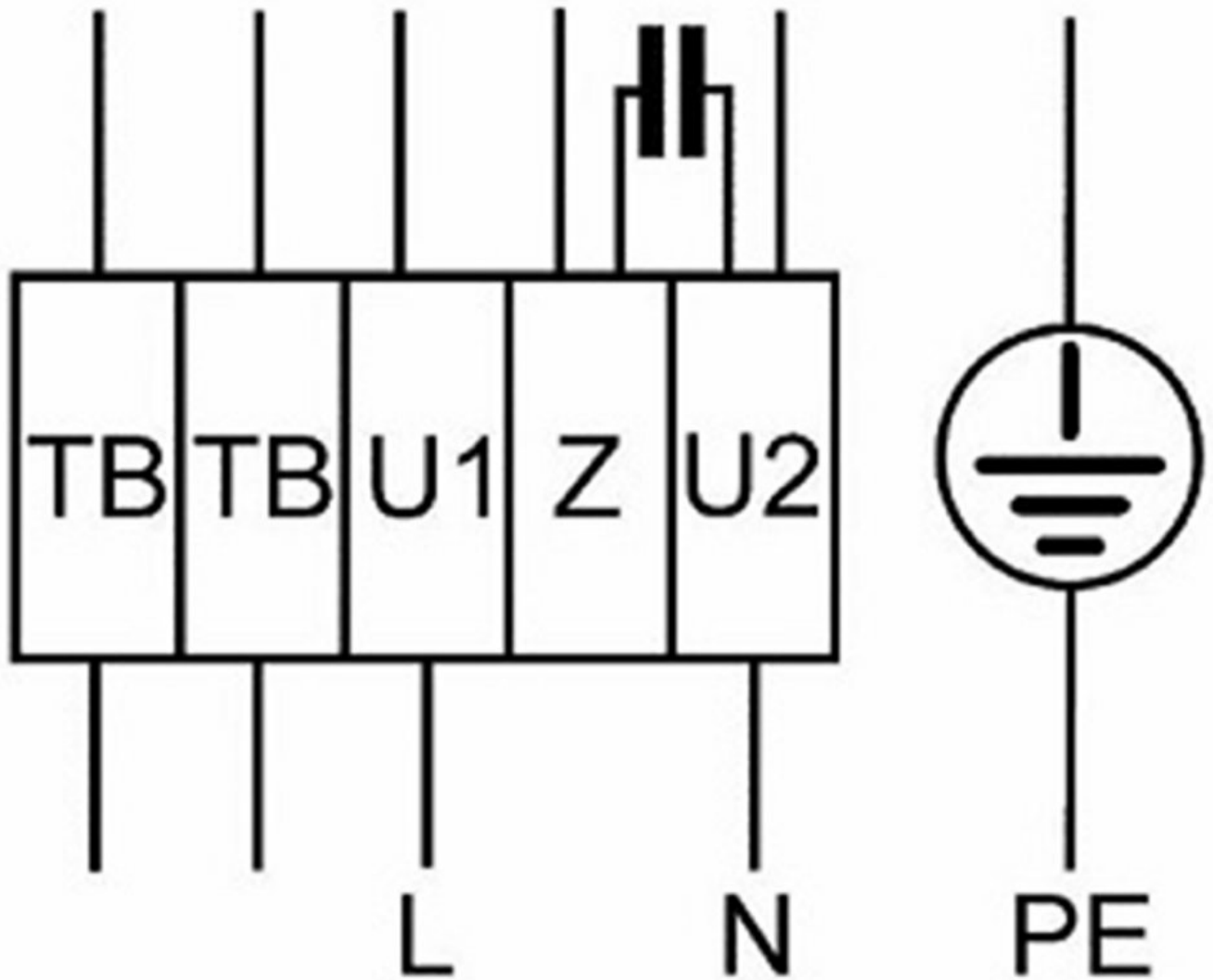
Required air flow	0.18 m³/s
Required static pressure	34 Pa
Working air flow	0.18 m³/s
Working static pressure	34 Pa
Air density	1.204 kg/m³
Power	48.0 W
Fan control - RPM	1369 rpm
Current	0.24 A
SFP	0.262 kW/m³/s
Control voltage	230.0 V
Supply voltage	230 V

Dimension



	□A	B	B1	B2	B3	B4	ØD1	ØD2	ØD4	□L
AW 250E2	320	50	102	6	152	30	264	260	7	370
AW 250E4	320	50	97	6	147	30	264	260	7	370

Wiring



Accessories

- AWE-SK Motorprotection 2A/230V (5138)
- REU 1.5 Speed control (5004)
- RTRE 1,5 Speed control (5008)
- RAW 200/250 Roof Cowl c/w BG (85991)
- REE 1 Speed control (5314)
- REV-5POL/05 ON/OFF (33979)
- VK-25 Louvre shutter (5640)
- STL 1.5 Speed controller (84251)

Documents

- L-BAL-001-SYSTEMAIR.PDF
- EU_DECLARATION_OF_CONFORMITY_AXIAL_FANS_EN_003.PDF