

AW 250E2 sileo Axial fan

Axial wall fan

Item Number: [37404](#)

Variant: 230V 1~ 50Hz

speed controllable by voltage reduction, plus option of 2-step operation by D/Y switching for 400V versions

inlet protection guard

safe and maintenance free operation

can be installed in any mounting position

electric connection via terminal box mounted on the motor

single phase fans are supplied with capacitor

Axial fans of the AW sileo range do have a sickle shape of the fan blade, and are driven by external rotor motors. The AW range is equipped with a square wall plate, galvanized steel and powder coated in black (RAL9005). The protection guard at the inlet side is powder coated in black. The axial impeller is manufactured from sheet steel black coated. The impeller is balanced dynamically in two levels in accordance with DIN ISO 1940 part 1, quality G6.3.

The motors are equipped with thermal contacts for motor protection, with leads to be connected to a motor protection unit.



Technical parameters

Normal data		
Voltage (Nominal)	230	V
Frequency	50	Hz
Phase(s)	1~	
Motor circuit connection	D	
Input power	148	W
Input current	0.647	A
Impeller speed	2,289	r.p.m.
Air flow	max 0.496	m ³ /s
Capacitance of capacitor	3	μF
Temperature of transported air	max 65	°C
Max temperature of transported air, when speed controlled	65	°C

Sound data

Sound pressure level at 1m	66 dB(A)
----------------------------	----------

Protection/Classification

Enclosure class, motor	IP44
------------------------	------

Insulation class	B
------------------	---

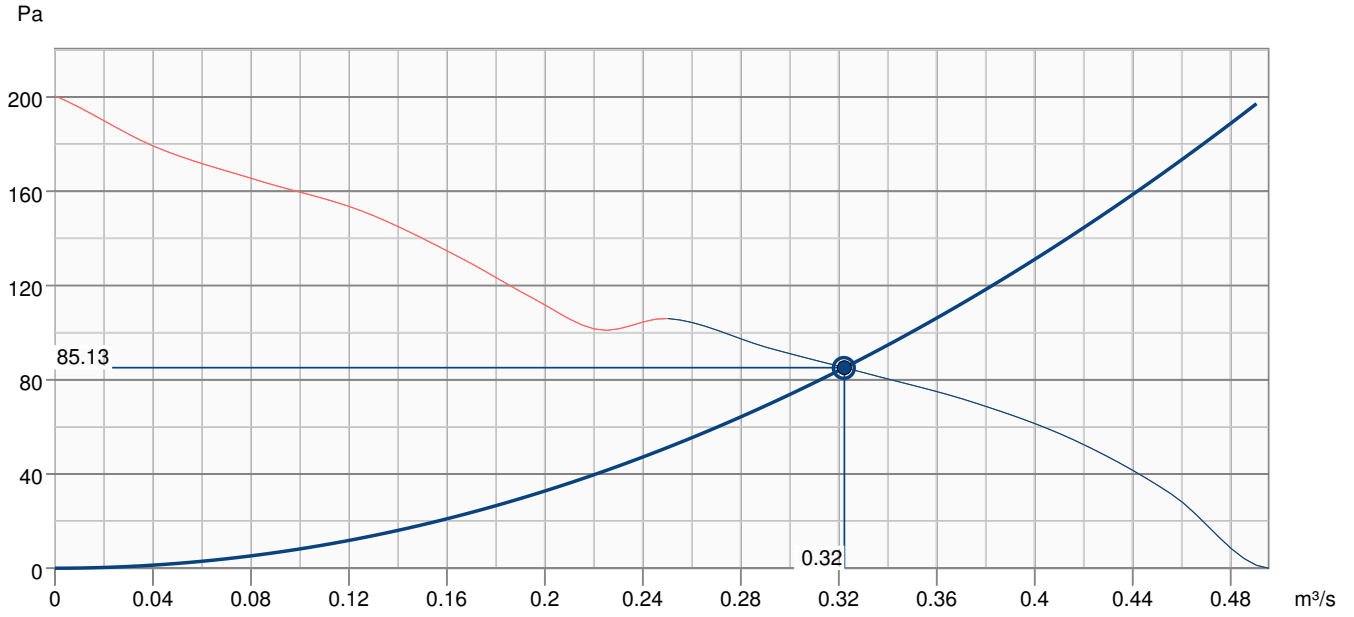
Dimensions and weights

Weight	4 kg
--------	------

Others

Motor type	AC
------------	----

Performance curve

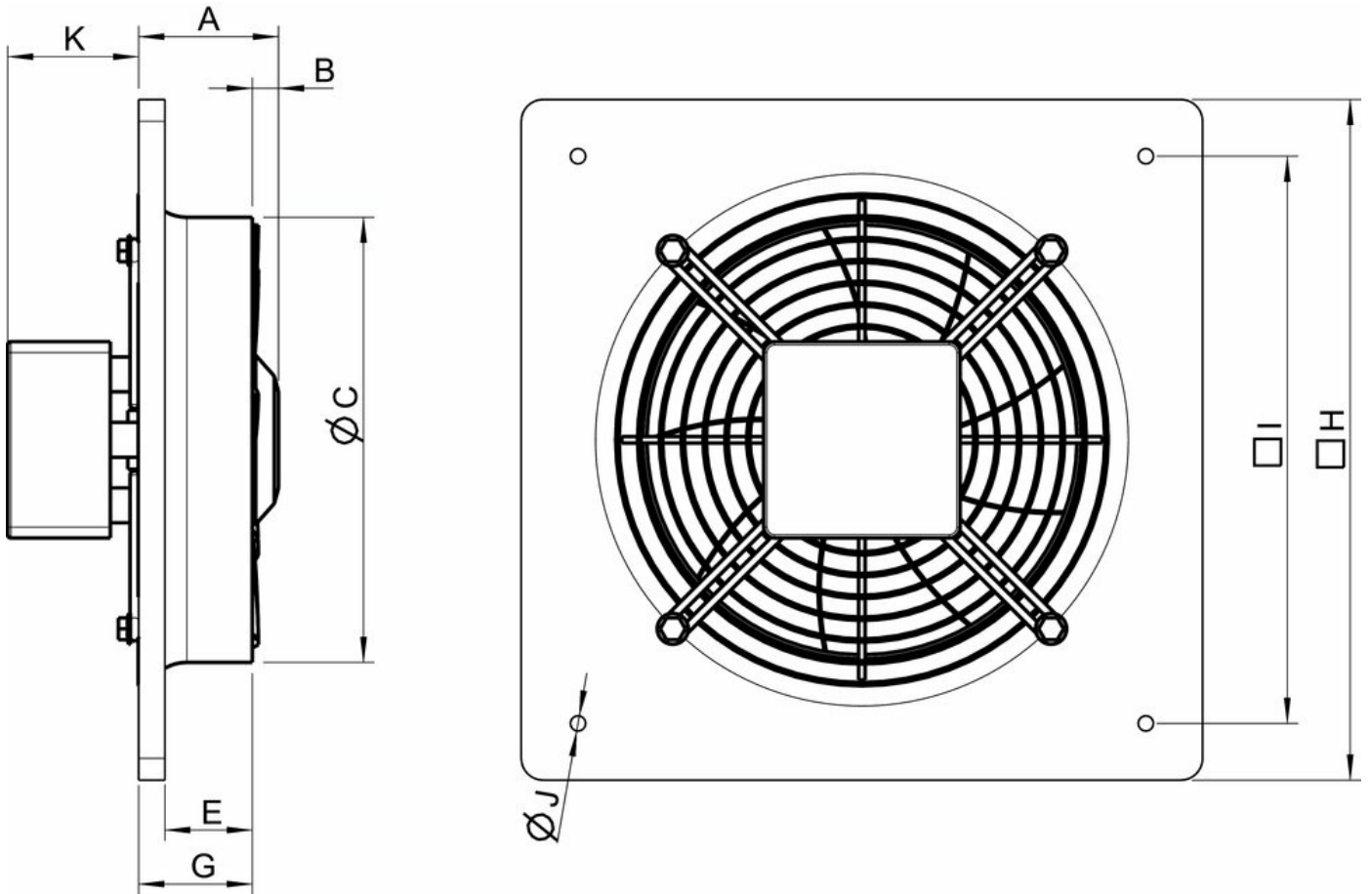


Hydraulic data

Required air flow	0.32 m³/s
Required static pressure	85 Pa
Working air flow	0.32 m³/s
Working static pressure	85 Pa
Air density	1.204 kg/m³
Power	146.8 W
Fan control - RPM	2305 rpm
Current	0.64 A
SFP	0.455 kW/m³/s
Control voltage	230.0 V
Supply voltage	230 V

Sound power level		63	125	250	500	1k	2k	4k	8k	Total
Inlet	dB(A)	35	57	68	71	70	72	68	58	77
Outlet	dB(A)	36	58	68	72	71	73	69	59	78

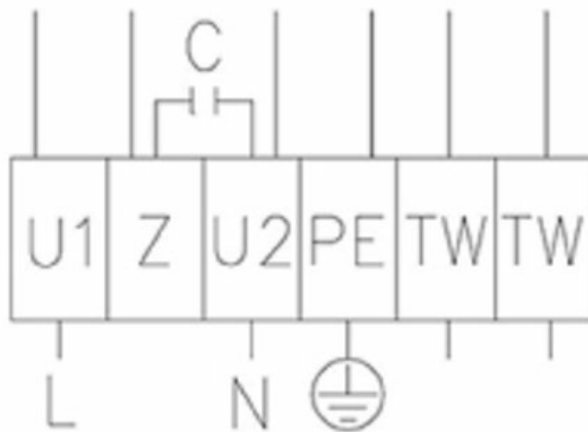
Dimension



	A	B	ϕC	E	G	$\square H$	$\square I$	ϕJ	K
AW 250E2 sileo	73	17	260	51	57	370	320	7	65

Wiring

Einphasen-Wechselstrommotor mit Betriebskondensator Singlephase AC motor with capacitor



U₁ =blau/blue
Z =braun/brown
U₂ =schwarz/black
PE =grün/gelb
green/yellow

Accessories

- AWE-SK Motorprotection 2A/230V (5138)
- REU 1.5 Speed control (5004)
- RTRE 1,5 Speed control (5008)
- VK-25 Louvre shutter (5640)
- S-ET 10 Motor Protection (5154)
- REE 1 Speed control (5314)
- REV-5POL/05 ON/OFF (33979)
- S-ET 10 Motor Protection (161199)
- RAW 200/250 Roof Cowl c/w BG (85991)
- STL 1.5 Speed controller (84251)

Documents

- IMO - 37404 - AW 250E2 SILEO.PDF
- EU_DECLARATION_OF_CONFORMITY_AXIAL_FANS_EN_003.PDF
- installation variations_2_AR_AW.pdf