

AR 630E6 sileo Axial fan

Axial duct fan

Item Number: [37391](#)

Variant: 230V 1~ 50Hz - D (Delta)

speed controllable by voltage reduction, plus option of 2-step operation by D/Y switching for 400V versions

safe and maintenance free operation

can be installed in any mounting position

electric connection via terminal box mounted on the casing

Axial fans of the AR sileo range do have a bionic shape of the fan blade, and are driven by external rotor motors. The AR range is mounted in a round casing according Eurovent 1/2, galvanized steel and powder coated in black (RAL9005). The axial impeller is manufactured from black high efficiency composite material. The impeller is balanced dynamically in two levels in accordance with DIN ISO 1940 part 1, quality G6.3.

The motors are equipped with thermal contacts for motor protection, with leads to be connected to a motor protection unit.



Technical parameters

Norminal data		
Voltage (Nominal)	230	V
Frequency	50	Hz
Phase(s)	1~	
Motor circuit connection	D	
Input power	600	W
Input current	2.8	A
Impeller speed	920	r.p.m.
Air flow	max 2.951	m³/s
Air flow at max. efficiency	1.9328	m³/s
Specific ratio	1,000000	
Capacitance of capacitor	14	µF
Temperature of transported air	max 70	°C
Max temperature of transported air, when speed controlled	70	°C

Sound data

Sound pressure level at 1m	67	dB(A)
----------------------------	----	-------

Protection/Classification

Enclosure class, motor	IP54
------------------------	------

Insulation class	F
------------------	---

Data according to ErP

ErP ready	ErP 2018
-----------	----------

Measurement category	A
----------------------	---

Efficiency grade	45.6	η_{actual}
------------------	------	------------------------

Efficiency, static	37.7	η_{statA}
--------------------	------	-----------------------

Target efficiency grade ErP2013	36	$\eta_{\text{target2013}}$
---------------------------------	----	----------------------------

Target efficiency grade ErP2015	40	$\eta_{\text{target2015}}$
---------------------------------	----	----------------------------

Dimensions and weights

Duct dimension; Circular, inlet	630	mm
---------------------------------	-----	----

Duct dimension; Circular, outlet	630	mm
----------------------------------	-----	----

Weight	25	kg
--------	----	----

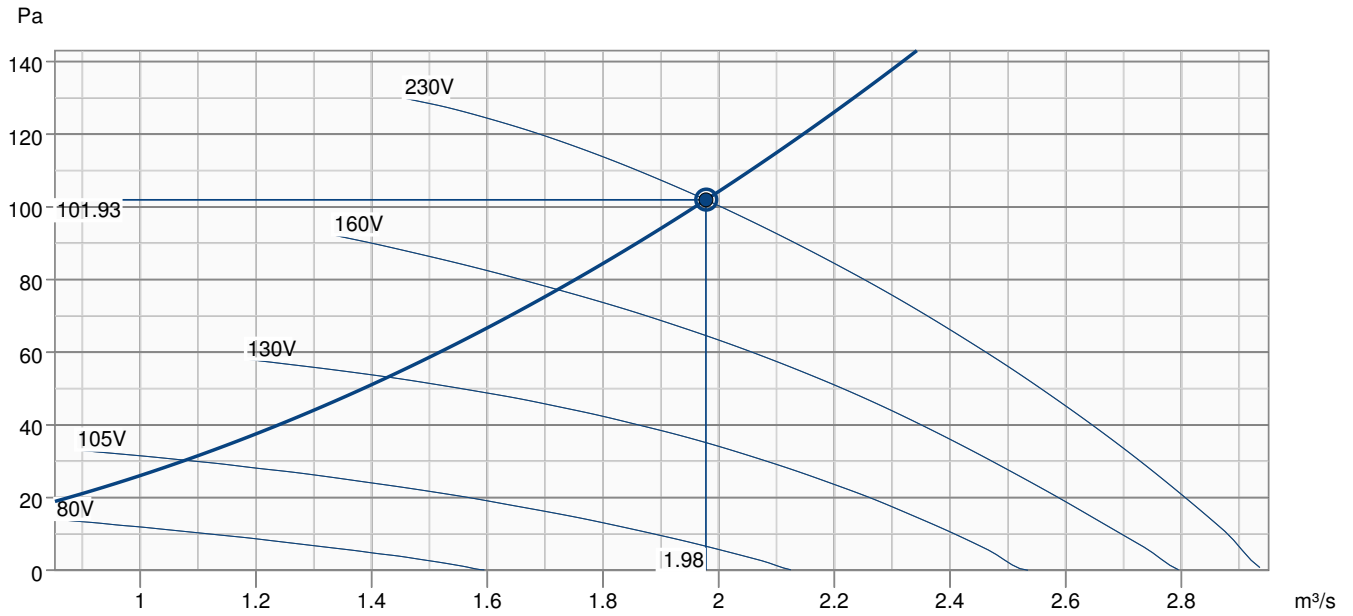
Others

Duct connection type	Circular
----------------------	----------

Color name, casing	Black
--------------------	-------

Motor type	AC
------------	----

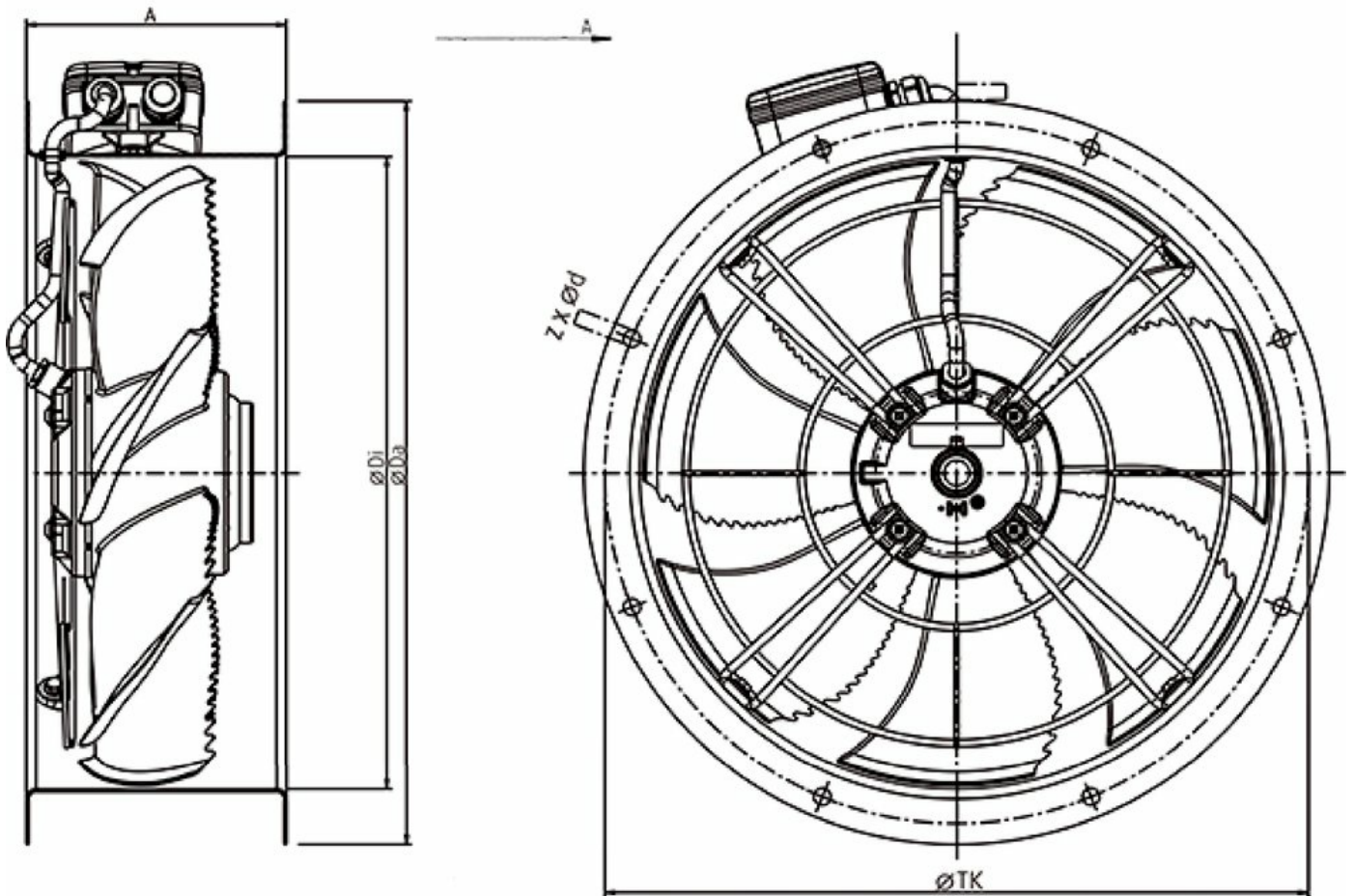
Performance curve



Hydraulic data

Required air flow	1.98 m³/s
Required static pressure	102 Pa
Working air flow	1.98 m³/s
Working static pressure	102 Pa
Air density	1.204 kg/m³
Power	565.5 W
Fan control - RPM	925 rpm
Current	2.60 A
SFP	0.286 kW/m³/s
Control voltage	230.0 V
Supply voltage	230 V

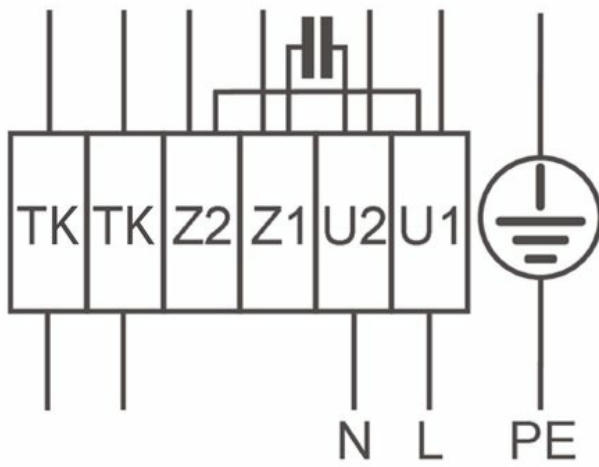
Dimension



	A	ØDi	ØDa	ØTK	z x Ød
AR 630 sileo	235	634	720	690	12 x Ø11,5

Wiring

Linkslauf
Counter Clockwise rotation
Rotation á gauche



Ecodesign

Ecodesign 327	
Manufacturer	Systemair GmbH, Seehöfer Str. 45, DE-97944 Boxberg, Amtsgericht (court of registration) Mannheim, HRB 560437
Type	AR 630E6
Year of manufacture	See name plate of the fan
Air flow qv	1.9328 m ³ /s
Efficiency category	static
Efficiency grade N	45.6
Efficiency grade target N	40
Speed (rpm) n	923 r.p.m.
Pressure increase total psf	106 Pa
Power consumption Ped	570 W
Overall efficiency	37.7 %
Variable speed drive	No
Additional components	Components used to calculate the energy efficiency that are not apparent from the measurement category are detailed in the CE declaration.
Maintenance	Information on installation, operation and maintenance is provided in the operating instructions.
Recycling / disposal	Information on recycling and disposal is provided in the operating instructions.

Accessories

- EV-AR/AXC 630 flex.conn. 70°C (8358)
- MFA-AXC/AM 630 mounting foot (311289)
- REU 5 Speed control (5006)
- RTRE 5 Speed control (5010)
- S-ET 10 Motor Protection (161199)
- STL 5 Speed controller (84271)
- GFL-AR/AXC 630 counter flange (8382)
- REE 4 Speed control (5317)
- REV-5POL/05 ON/OFF (33979)
- S-ET 10 Motor Protection (5154)
- SG AXC/AM/AR 630 guard grill (310691)

Documents

- L-BAL-001-SYSTEMAIR.PDF
- EU_DECLARATION_OF_CONFORMITY_AXIAL_FANS_EN_003.PDF
- installation variations_1_AR_AW.pdf

Specification

The box is made up of electroplated steel- plate witch is powder coated. A protection guard is included. The fan can be installed in each fitting position. The axial impeller with airfoil made of aluminum and is coated black. The actuation is carried out by a maintenance- free, speed- controlled external rotor motor. The fan is speed- controllable by a thyristor or a transformer alternatively at a 400V- Construction a 2- stepped operation trough a D/Y- Connection is also possible. For protecting the motor integrated thermostat relays with completed lines to a motor protection device are built in. For annealing the motor is situated in the air flow. Impeller according to VDI 2060, quality category Q6,3 and dynamically weigh heavy in to levels