

AR 315E4 sileo Axial fan

Axial duct fan

Item Number: 34463

Variant: 230V 1~ 50Hz

speed controllable by voltage reduction
 inlet protection guard
 safe and maintenance free operation
 can be installed in any mounting position
 electric connection via terminal box mounted on the casing
 supplied with capacitor

Axial fans of the AR sileo range do have a bionic shape of the fan blade, and are driven by external rotor motors. The AR range is mounted in a round casing according Eurovent 1/2, galvanized steel and powder coated in black (RAL9005). The protection guard at the inlet side is powder coated in black. The axial impeller is manufactured from black high efficiency composite material. The impeller is balanced dynamically in two levels in accordance with DIN ISO 1940 part 1, quality G6.3.

The motors are equipped with thermal contacts for motor protection, with leads to be connected to a motor protection unit, for example Systemair unit S-ET.



Technical parameters

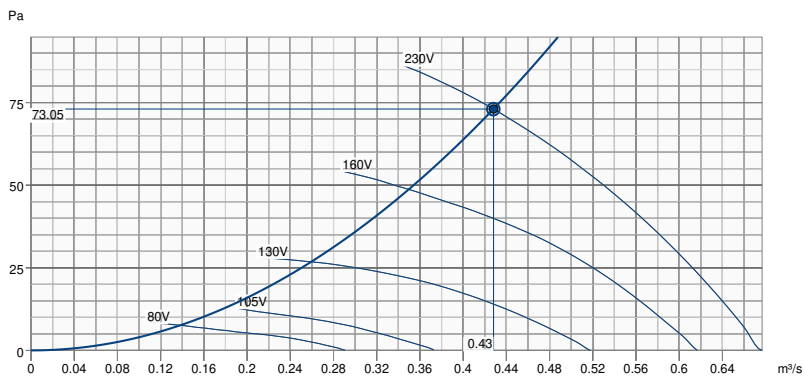
Nominal data		
Voltage (nominal)	230	V
Frequency	50	Hz
Phases	1~	
Input power	160	W
Input current	0.67	A
Impeller speed	1,300	rpm
Air flow	max 0.6767	m ³ /s
Capacitance of capacitor	5	µF
Temperature of transported air	max 50	°C
Max temperature of transported air, when speed controlled	50	°C
Sound data		
Sound pressure level at 1m	59	dB(A)
Protection/Classification		
Enclosure class, motor	IP44	
Insulation class	F	
Dimensions and weights		
Duct dimension; Circular, inlet	315	mm
Duct dimension; Circular, outlet	315	mm
Weight	6	kg

others

Duct connection type	Circular
Color name, casing	Black
Motor type	AC

Performance

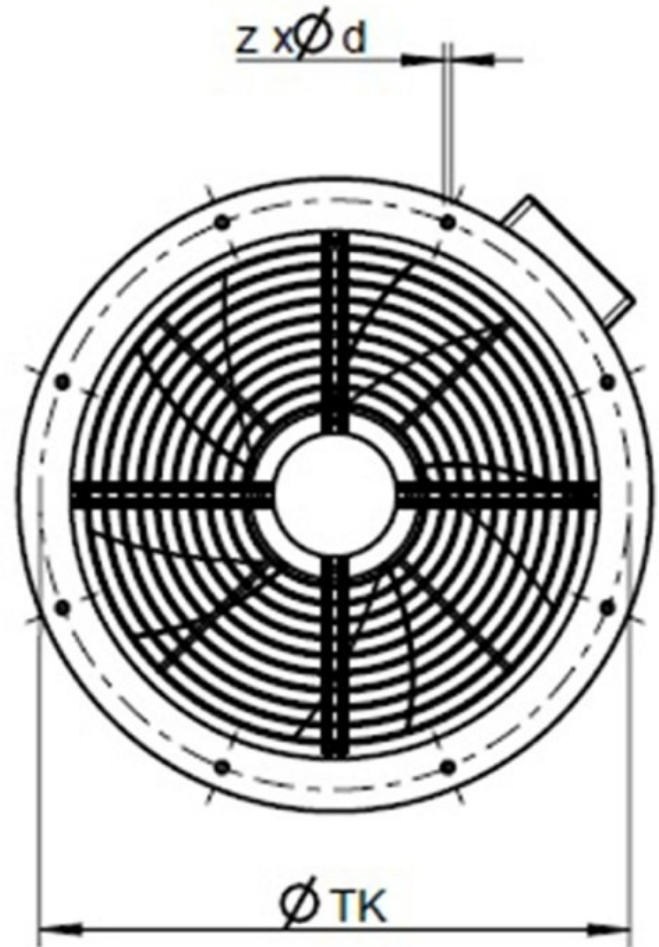
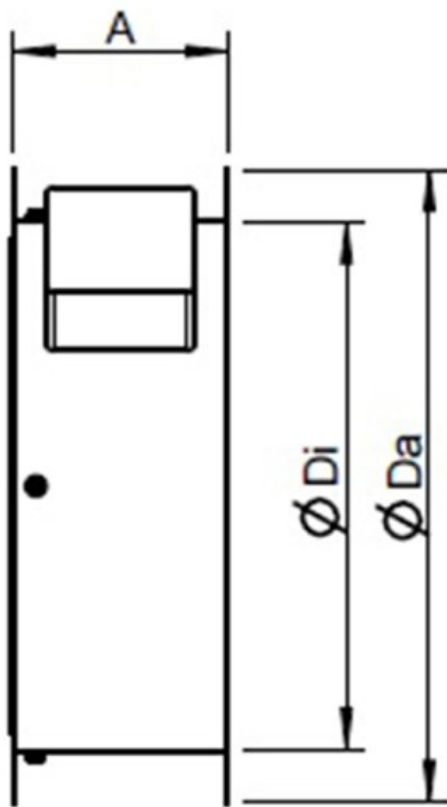
Performance curve



Hydraulic data

Required air flow	0.43 m³/s
Required static pressure	73 Pa
Working air flow	0.43 m³/s
Working static pressure	73 Pa
Air density	1.204 kg/m³
Power	134.5 W
Fan control - RPM	1360 rpm
Current	0.60 A
SFP	0.314 kW/m³/s
Control voltage	230.0 V
Supply voltage	230 V

Dimension



	A	B	C	ØDi	ØDa	z x Ød	ØTK
AR 315E4 sileo	135	12	120	316	382	8 x Ø9.5	355
AR 315DV sileo	135	17	137	316	382	8 x Ø9.5	355

Wiring

