

AR 200E4 sileo Axial fan

Axial duct fan, <125W

Item Number: 37375

Variant: 230V 1~ 50Hz

Speed controllable with thyristor or transformer or, with 400V version, also 2-stage operation possible by D/Y switching.

Reliable and maintenance-free.

Can be installed in any position.

Contact protection grille available as accessory

AR fans are driven by external rotor motors. The casing, which is manufactured according to Eurovent 1/2, and the axial impeller blades are made of galvanised sheet steel painted black (RAL 9005). To protect against overheating, the fans are equipped with thermal contacts with lead wires for connection to a motor protection switchgear. AW fans have a square plate for wall mounting. AR fans are suitable for mounting on duct pipes due to a DIN standardised flange.



Technical parameters

Nominal data		
Voltage (nominal)	230	V
Frequency	50	Hz
Phases	1~	
Motor circuit connection	D	
Input power	16	W
Input current	0.07	A
Impeller speed	1,300	rpm
Air flow	max 0.117	m ³ /s
Capacitance of capacitor	0.5	µF
Temperature of transported air	max 80	°C
Max temperature of transported air, when speed controlled	80	°C

Sound data		
Sound pressure level at 1m	46	dB(A)

Protection/Classification		
Enclosure class, motor	IP44	
Insulation class	B	

Data according to ErP

ErP ready

Not ErP relevant

Dimensions and weights

Duct dimension; Circular, inlet

200 mm

Duct dimension; Circular, outlet

200 mm

Weight

3.9 kg

others

Duct connection type

Circular

Color name, casing

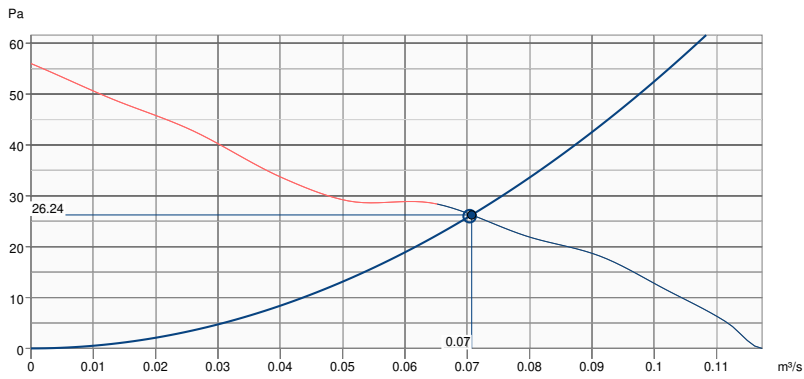
Black

Motor type

AC

Performance

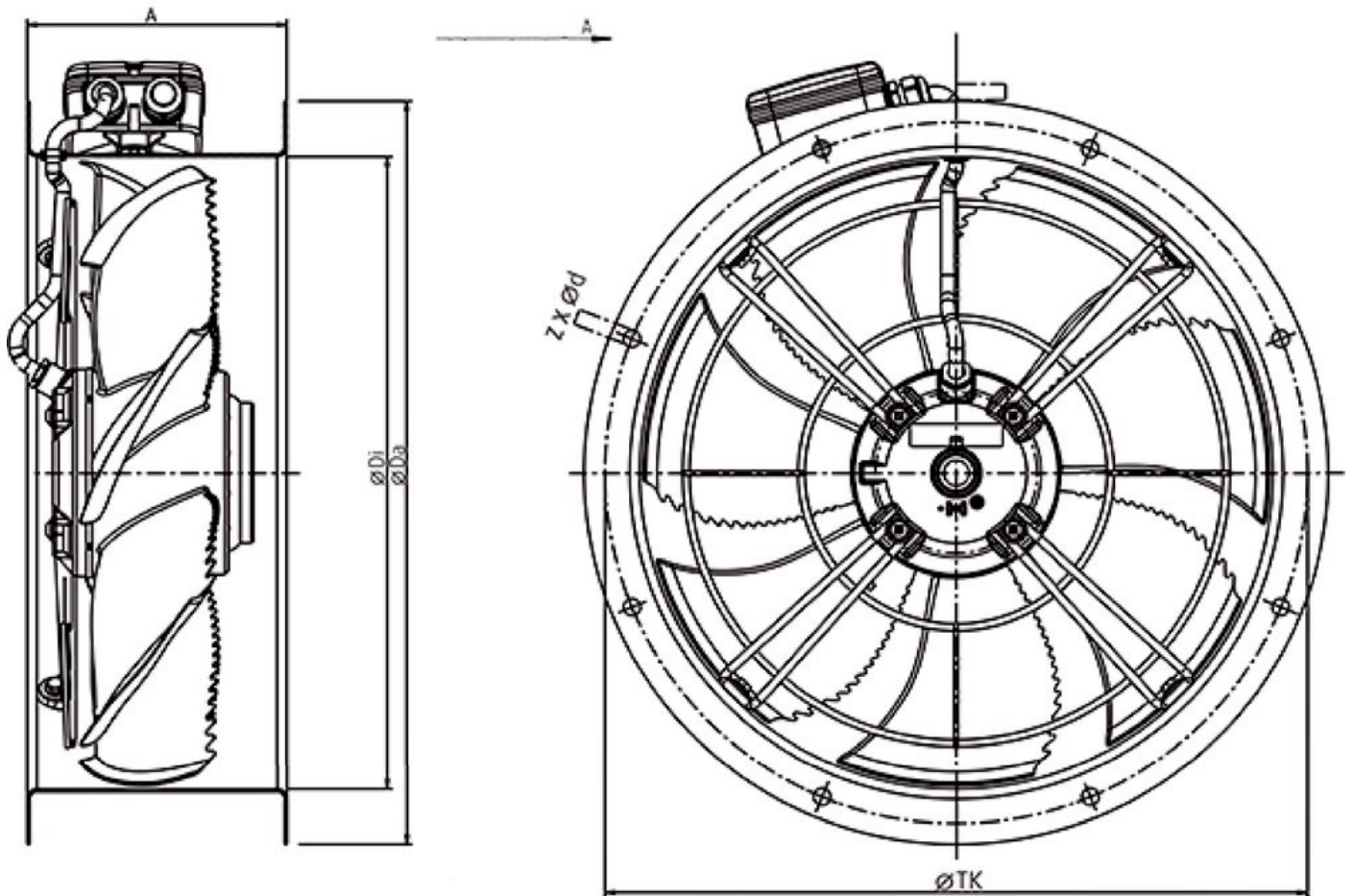
Performance curve



Hydraulic data

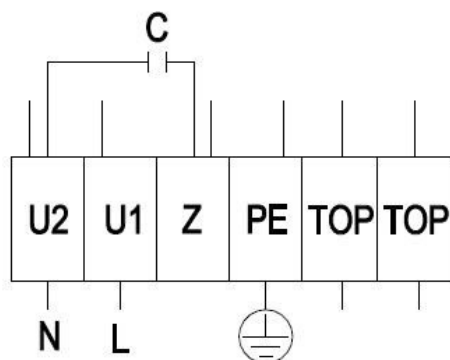
Required air flow	0.07 m ³ /s
Required static pressure	26 Pa
Working air flow	0.07 m ³ /s
Working static pressure	26 Pa
Air density	1.204 kg/m ³
Power	15.9 W
Fan control - RPM	1260 rpm
Current	0.10 A
SFP	0.224 kW/m ³ /s
Control voltage	230.0 V
Supply voltage	230 V

Dimension



	A	$\varnothing Di$	$\varnothing Da$	$\varnothing TK$	z x $\varnothing d$
AR 200 sileo	135	200	250	225	4 x $\varnothing 7$

Wiring



Clamp	Colour	Connection
U2	black	N
U1	blue	L
Z	brown	
PE	green/yellow	
TOP	grey	

U1 = blue = blau

U2 = black = schwarz

Z = brown = braun

PE = yellow/green = grün-gelb