



TCBBX2/TCBTX2

5605765100 - TCBTX2/4-630 (400V50HZ) V5 - CYLINDRICAL CASED AXIAL FLOW FANS



Cased axial fan . Casing manufactured from galvanised sheet steel. Fitted with 2 contrarotating fan assemblies with aluminium blades. Three phase - IP65 - F. All models are supplied with pre-wired wiring junction box located on the outside of the fan casing for easy wiring access . Brand S&P model TCBTX2/4-630 (400V50HZ) V5 .

Theoretical Working Point

Airflow	-
Static Pressure	0,000 N/m ²
Temperature	20 °C
Altitude	0 m
Density	1,2 kg/m ³
Frequency	50 Hz

Construction

Discharge diameter	630 mm
Fan size	630
Blades	7
Weight	63,45 kg

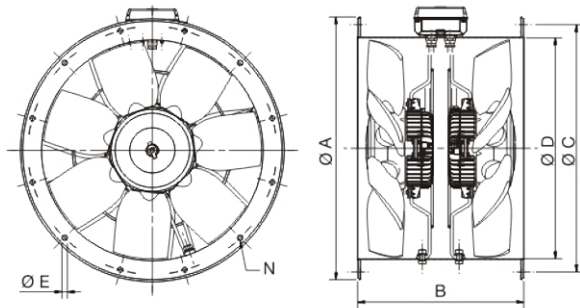
Motor Characteristics

Number of poles	4
Voltage	3-400V-50Hz
Maximum absorbed current	7,4 A
IP Rating	IP65
Motor insulation class	F

Working Point

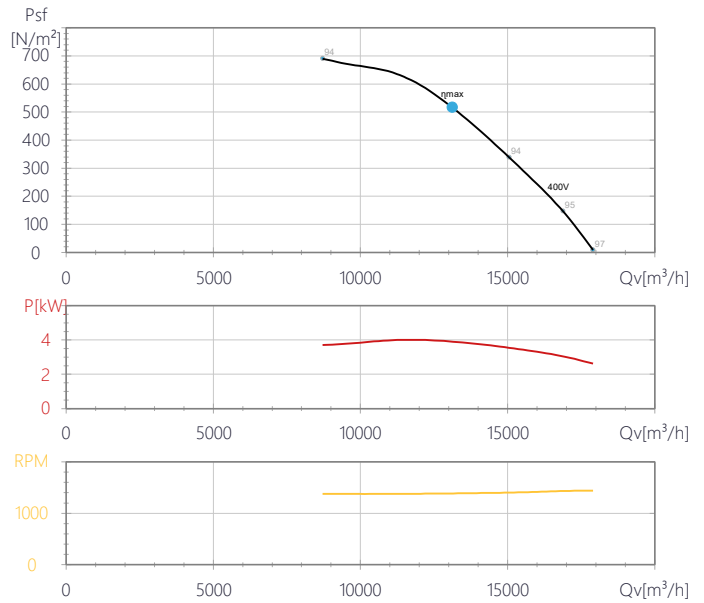
Fan speed	1370
-----------	------

Drawing



A	B	C	D	E	N
725	520	690	630	12	12

Performance Chart





TCBBX2/TCBTX2

5605765100 - TCBTX2/4-630 (400V50HZ) V5 - CYLINDRICAL CASED AXIAL FLOW FANS

Sound Performance

	63	125	250	500	1k	2k	4k	8k	Overall
Inlet (LwA)	51	85	91	89	93	87	80	74	97
Inlet LpA @ 1m	40	74	80	78	82	76	69	63	86
Outlet (LwA)	73	87	88	93	95	89	83	77	99
Outlet LpA @ 1m	62	76	77	82	84	78	72	66	88





TCBBX2/TCBTX2

5605765100 - TCBTX2/4-630 (400V50HZ) V5 - CYLINDRICAL CASED AXIAL FLOW FANS

ErP Data

Maximum efficiency %]	55,8
Installation type	D
Category efficiency	Total
N	N58,4
Variable speed drive	+
Year of manufacture	Product Rating Plate
Manufacturer's Info	S&P
Product code	5605765100
Input power at optimum efficiency point (kW)	3,903
Airflow at optimum efficiency point [m3/h]	13.120
Pressure at optimum efficiency point [Pa]	599
Speed at optimum efficiency point	1387
Specific Ratio	1
Recycling/disposal	Instruction Manual
Maintenance	Instruction Manual
Additional components	Catalogue and according to ISO 5801