



# TCBBX2/TCBTX2

5605766700 - TCBTX2/4-560 (230/400V50HZ) V5 - CYLINDRICAL CASED AXIAL FLOW FANS



Cased axial fan . Casing manufactured from galvanised sheet steel. Fitted with 2 contrarotating fan assemblies with aluminium blades. Three phase - IP65 - F. All models are supplied with pre-wired wiring junction box located on the outside of the fan casing for easy wiring access . Brand S&P model TCBTX2/4-560 (230/400V50HZ) V5 .

## Theoretical Working Point

|                 |                        |
|-----------------|------------------------|
| Airflow         | -                      |
| Static Pressure | 0,000 N/m <sup>2</sup> |
| Temperature     | 20 °C                  |
| Altitude        | 0 m                    |
| Density         | 1,2 kg/m <sup>3</sup>  |
| Frequency       | 50 Hz                  |

## Construction

|                    |          |
|--------------------|----------|
| Discharge diameter | 560 mm   |
| Fan size           | 560      |
| Blades             | 7        |
| Weight             | 57,60 kg |

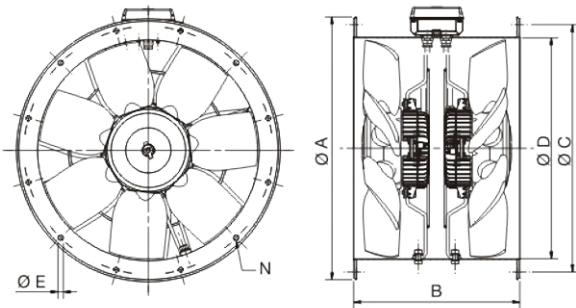
## Motor Characteristics

|                          |                 |
|--------------------------|-----------------|
| Number of poles          | 4               |
| Voltage                  | 3-230/400V-50Hz |
| Maximum absorbed current | 10,1 A / 5,8 A  |
| IP Rating                | IP65            |
| Motor insulation class   | F               |

## Working Point

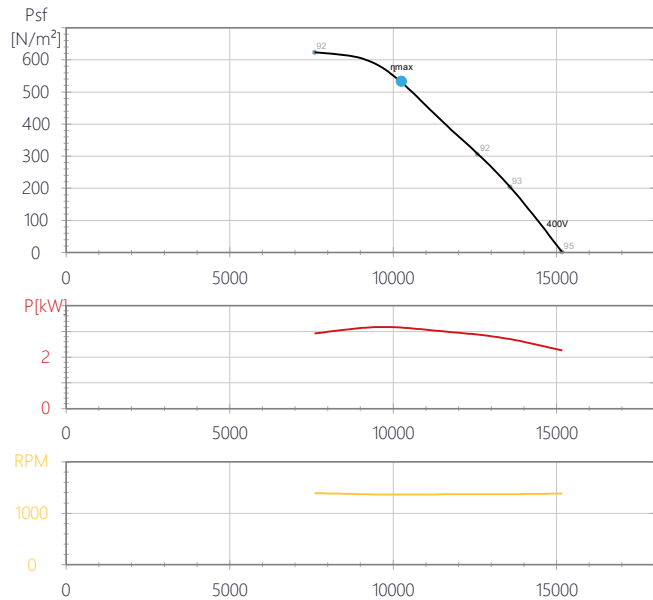
|           |      |
|-----------|------|
| Fan speed | 1360 |
|-----------|------|

## Drawing



| A   | B   | C   | D   | E  | N  |
|-----|-----|-----|-----|----|----|
| 655 | 520 | 620 | 560 | 12 | 12 |

## Performance Chart





# TCBBX2/TCBTX2

5605766700 - TCBTX2/4-560 (230/400V50HZ) V5 - CYLINDRICAL CASED AXIAL FLOW FANS

## Sound Performance

|                        | 63 | 125 | 250 | 500 | 1k | 2k | 4k | 8k | Overall |
|------------------------|----|-----|-----|-----|----|----|----|----|---------|
| <b>Inlet (LwA)</b>     | 50 | 85  | 87  | 88  | 91 | 85 | 78 | 73 | 95      |
| <b>Inlet LpA @ 1m</b>  | 39 | 74  | 76  | 77  | 80 | 74 | 67 | 62 | 84      |
| <b>Outlet (LwA)</b>    | 74 | 86  | 85  | 91  | 94 | 88 | 81 | 75 | 97      |
| <b>Outlet LpA @ 1m</b> | 63 | 75  | 74  | 80  | 83 | 77 | 70 | 64 | 86      |





# TCBBX2/TCBTX2

5605766700 - TCBTX2/4-560 (230/400V50HZ) V5 - CYLINDRICAL CASED AXIAL FLOW FANS

## ErP Data

|   |                                     |
|---|-------------------------------------|
| Maximum efficiency %                                    | 55,0                                |
| Installation type                                       | D                                   |
| Category efficiency                                     | Total                               |
| N   | N58,2                               |
| Variable speed drive                                    | +                                   |
| Year of manufacture                                     | Product Rating Plate                |
| Manufacturer's Info                                     | S&P                                 |
| Product code  | 5605766700                          |
| Input power at optimum efficiency point (kW)            | 3,148                               |
| Airflow at optimum efficiency point [m <sup>3</sup> /h] | 10,254                              |
| Pressure at optimum efficiency point [Pa]               | 611                                 |
| Speed at optimum efficiency point                       | 1365                                |
| Specific Ratio  | 1                                   |
| Recycling/disposal                                      | Instruction Manual                  |
| Maintenance   | Instruction Manual                  |
| Additional components                                   | Catalogue and according to ISO 5801 |