



# TCBBX2/TCBTX2

5605766600 - TCBTX2/4-500 (230/400V50HZ) V5 - CYLINDRICAL CASED AXIAL FLOW FANS



Cased axial fan . Casing manufactured from galvanised sheet steel. Fitted with 2 contrarotating fan assemblies with aluminium blades. Three phase - IP65 - F. All models are supplied with pre-wired wiring junction box located on the outside of the fan casing for easy wiring access . Brand S&P model TCBTX2/4-500 (230/400V50HZ) V5 .

## Theoretical Working Point

Airflow	-
Static Pressure	0,000 N/m <sup>2</sup>
Temperature	20 °C
Altitude	0 m
Density	1,2 kg/m <sup>3</sup>
Frequency	50 Hz

## Construction

Discharge diameter	500 mm
Fan size	500
Blades	7
Weight	38,70 kg

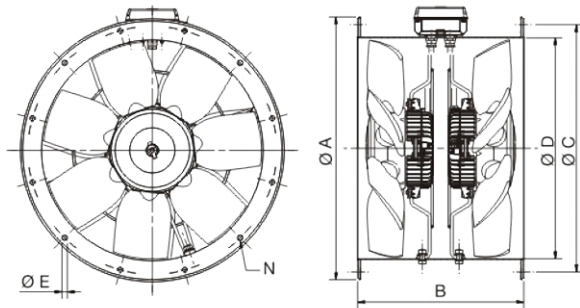
## Motor Characteristics

Number of poles	4
Voltage	3-230/400V-50Hz
Maximum absorbed current	5,9 A / 3,4 A
IP Rating	IP65
Motor insulation class	F

## Working Point

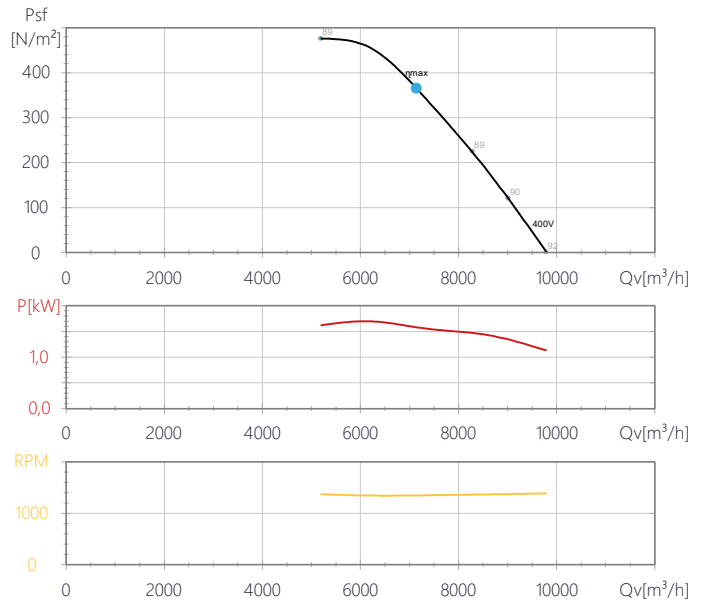
Fan speed	1340
-----------	------

## Drawing



A	B	C	D	E	N
595	375	560	500	12	12

## Performance Chart





# TCBBX2/TCBTX2

5605766600 - TCBTX2/4-500 (230/400V50HZ) V5 - CYLINDRICAL CASED AXIAL FLOW FANS

## Sound Performance

	63	125	250	500	1k	2k	4k	8k	Overall
<b>Inlet (LwA)</b>	48	78	87	85	87	81	74	67	92
<b>Inlet LpA @ 1m</b>	37	67	76	74	76	70	63	56	81
<b>Outlet (LwA)</b>	65	76	87	88	90	84	77	70	94
<b>Outlet LpA @ 1m</b>	54	65	76	77	79	73	66	59	83





# TCBBX2/TCBTX2

5605766600 - TCBTX2/4-500 (230/400V50HZ) V5 - CYLINDRICAL CASED AXIAL FLOW FANS

## ErP Data

Maximum efficiency %	53,5
Installation type	D
Category efficiency	Total
N	N58,6
Variable speed drive	+
Year of manufacture	Product Rating Plate
Manufacturer's Info	S&P
Product code	5605766600
Input power at optimum efficiency point (kW)	1,581
Airflow at optimum efficiency point [m <sup>3</sup> /h]	7.145
Pressure at optimum efficiency point [Pa]	427
Speed at optimum efficiency point	1348
Specific Ratio	1
Recycling/disposal	Instruction Manual
Maintenance	Instruction Manual
Additional components	Catalogue and according to ISO 5801