



TCBBX2/TCBTX2

5605767200 - TCBBX2/4-560 (230V50HZ) V5 - CYLINDRICAL CASED AXIAL FLOW FANS



Cased axial fan . Casing manufactured from galvanised sheet steel. Fitted with 2 contrarotating fan assemblies with aluminium blades. Single phase - IP65 - F motor with thermal protector and terminal box with capacitor out of the air stream. Brand S&P model TCBBX2/4-560 (230V50HZ) V5 .

Theoretical Working Point

Airflow	-
Static Pressure	0,000 N/m ²
Temperature	20 °C
Altitude	0 m
Density	1,2 kg/m ³
Frequency	50 Hz

Construction

Discharge diameter	560 mm
Fan size	560
Blades	7
Weight	60,30 kg

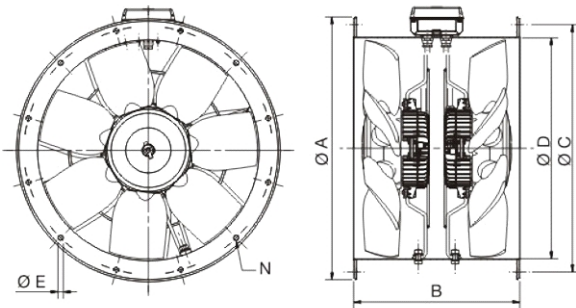
Motor Characteristics

Number of poles	4
Voltage	1-230V-50Hz
Maximum absorbed current	13,6 A
IP Rating	IP65
Motor insulation class	F

Working Point

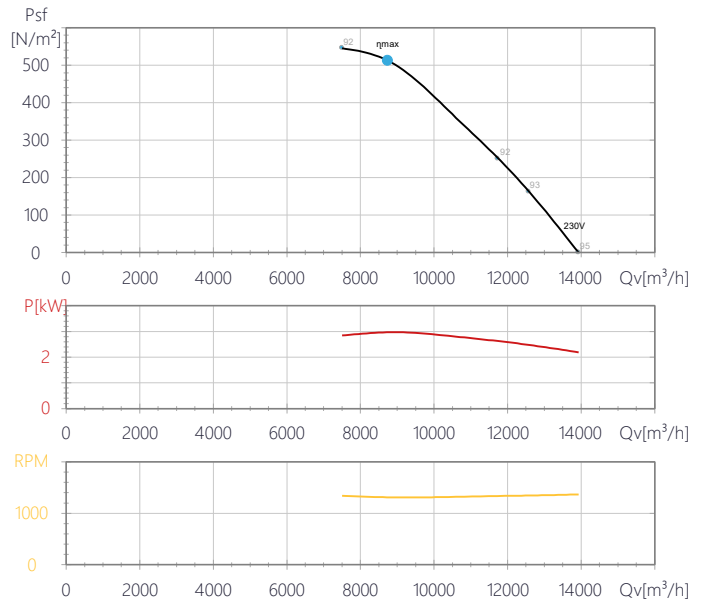
Fan speed	1340
-----------	------

Drawing



A	B	C	D	E	N
655	520	620	560	12	12

Performance Chart





TCBBX2/TCBTX2

5605767200 - TCBBX2/4-560 (230V50HZ) V5 - CYLINDRICAL CASED AXIAL FLOW FANS

Sound Performance

	63	125	250	500	1k	2k	4k	8k	Overall
Inlet (LwA)	50	85	87	88	91	85	78	73	95
Inlet LpA @ 1m	39	74	76	77	80	74	67	62	84
Outlet (LwA)	74	86	85	91	94	88	81	75	97
Outlet LpA @ 1m	63	75	74	80	83	77	70	64	86





TCBBX2/TCBTX2

5605767200 - TCBBX2/4-560 (230V50HZ) V5 - CYLINDRICAL CASED AXIAL FLOW FANS

ErP Data

Maximum efficiency %	41,9
Installation type	C
Category efficiency	Static
N	N45,2
Variable speed drive	+
Year of manufacture	Product Rating Plate
Manufacturer's Info	S&P
Product code	5605767200
Input power at optimum efficiency point (kW)	2,970
Airflow at optimum efficiency point [m ³ /h]	8.741
Pressure at optimum efficiency point [Pa]	513
Speed at optimum efficiency point	1311
Specific Ratio	1
Recycling/disposal	Instruction Manual
Maintenance	Instruction Manual
Additional components	Catalogue and according to ISO 5801