



TCBBX2/TCBTX2

5605385300 - TCBBX2/4-500/L (230V50HZ) V5 - CYLINDRICAL CASED AXIAL FLOW FANS



Cased axial fan . Casing manufactured from galvanised sheet steel. Fitted with 2 contrarotating fan assemblies with aluminium blades. Single phase - IP65 - F motor with thermal protector and terminal box with capacitor out of the air stream. Brand S&P model TCBBX2/4-500/L (230V50HZ) V5 .

Theoretical Working Point

Airflow	-
Static Pressure	0,000 N/m ²
Temperature	20 °C
Altitude	0 m
Density	1,2 kg/m ³
Frequency	50 Hz

Construction

Discharge diameter	500 mm
Fan size	500
Blades	7
Weight	38,52 kg

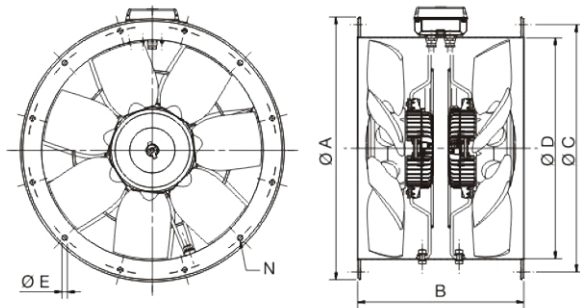
Motor Characteristics

Number of poles	4
Voltage	1-230V-50Hz
Maximum absorbed current	6,5 A
IP Rating	IP65
Motor insulation class	F

Working Point

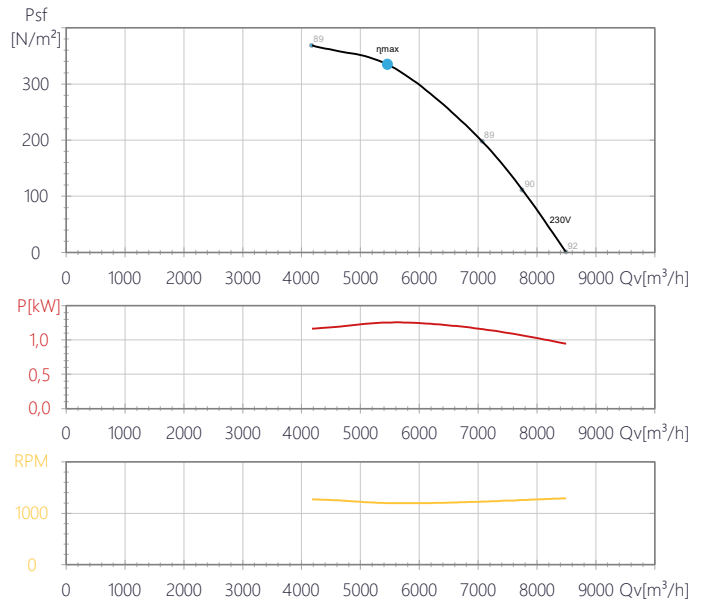
Fan speed	1300
-----------	------

Drawing



A	B	C	D	E	N
595	375	560	500	12	12

Performance Chart





TCBBX2/TCBTX2

5605385300 - TCBBX2/4-500/L (230V50HZ) V5 - CYLINDRICAL CASED AXIAL FLOW FANS

Sound Performance

	63	125	250	500	1k	2k	4k	8k	Overall
Inlet (LwA)	48	78	87	85	87	81	74	67	92
Inlet LpA @ 1m	37	67	76	74	76	70	63	56	81
Outlet (LwA)	65	76	87	88	90	84	77	70	94
Outlet LpA @ 1m	54	65	76	77	79	73	66	59	83





TCBBX2/TCBTX2

5605385300 - TCBBX2/4-500/L (230V50HZ) V5 - CYLINDRICAL CASED AXIAL FLOW FANS



ErP Data

Maximum efficiency %	40,4
Installation type	C
Category efficiency	Static
N	N46,1
Variable speed drive	+
Year of manufacture	Product Rating Plate
Manufacturer's Info	S&P
Product code	5605385300
Input power at optimum efficiency point (kW)	1,255
Airflow at optimum efficiency point [m ³ /h]	5.466
Pressure at optimum efficiency point [Pa]	334
Speed at optimum efficiency point	1198
Specific Ratio	1
Recycling/disposal	Instruction Manual
Maintenance	Instruction Manual
Additional components	Catalogue and according to ISO 5801