



# TCBBX2/TCBTX2

5605766800 - TCBBX2/4-500 (230V50HZ) V5 - CYLINDRICAL CASED AXIAL FLOW FANS



Cased axial fan . Casing manufactured from galvanised sheet steel. Fitted with 2 contrarotating fan assemblies with aluminium blades. Single phase - IP65 - F motor with thermal protector and terminal box with capacitor out of the air stream. Brand S&P model TCBBX2/4-500 (230V50HZ) V5 .

## Theoretical Working Point

Airflow	-
Static Pressure	0,000 N/m <sup>2</sup>
Temperature	20 °C
Altitude	0 m
Density	1,2 kg/m <sup>3</sup>
Frequency	50 Hz

## Construction

Discharge diameter	500 mm
Fan size	500
Blades	7
Weight	52,65 kg

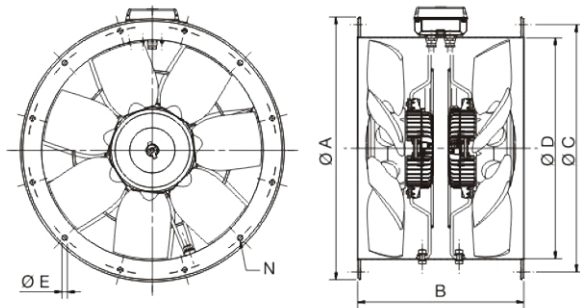
## Motor Characteristics

Number of poles	4
Voltage	1-230V-50Hz
Maximum absorbed current	9,0 A
IP Rating	IP65
Motor insulation class	F

## Working Point

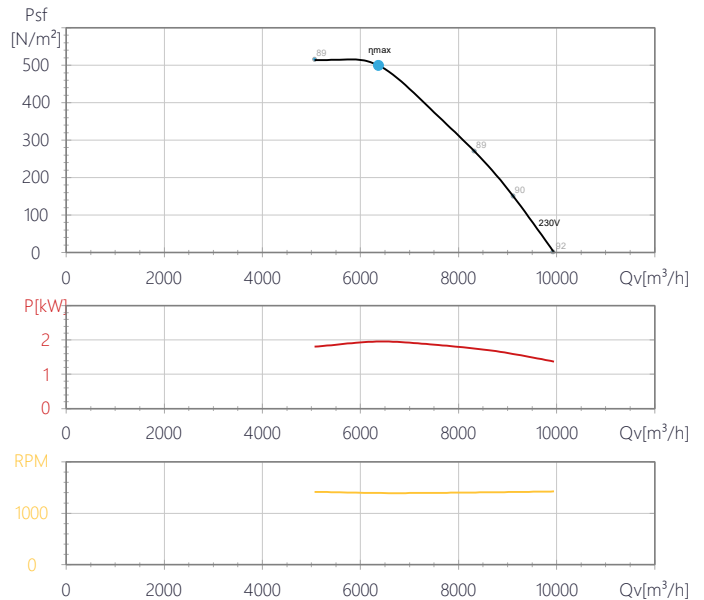
Fan speed	1300
-----------	------

## Drawing



A	B	C	D	E	N
595	520	560	500	12	12

## Performance Chart





# TCBBX2/TCBTX2

5605766800 - TCBBX2/4-500 (230V50HZ) V5 - CYLINDRICAL CASED AXIAL FLOW FANS

## Sound Performance

	63	125	250	500	1k	2k	4k	8k	Overall
<b>Inlet (LwA)</b>	48	78	87	85	87	81	74	67	92
<b>Inlet LpA @ 1m</b>	37	67	76	74	76	70	63	56	81
<b>Outlet (LwA)</b>	65	76	87	88	90	84	77	70	94
<b>Outlet LpA @ 1m</b>	54	65	76	77	79	73	66	59	83





# TCBBX2/TCBTX2

5605766800 - TCBBX2/4-500 (230V50HZ) V5 - CYLINDRICAL CASED AXIAL FLOW FANS



## ErP Data

Maximum efficiency %	45,1
Installation type	C
Category efficiency	Static
N	N49,6
Variable speed drive	+
Year of manufacture	Product Rating Plate
Manufacturer's Info	S&P
Product code	5605766800
Input power at optimum efficiency point (kW)	1,957
Airflow at optimum efficiency point [m <sup>3</sup> /h]	6.383
Pressure at optimum efficiency point [Pa]	498
Speed at optimum efficiency point	1394
Specific Ratio	1
Recycling/disposal	Instruction Manual
Maintenance	Instruction Manual
Additional components	Catalogue and according to ISO 5801