



TCBBX2/TCBTX2

5605764700 - TCBBX2/4-450 (230V50HZ) V5 - CYLINDRICAL CASED AXIAL FLOW FANS



Cased axial fan . Casing manufactured from galvanised sheet steel. Fitted with 2 contrarotating fan assemblies with aluminium blades. Single phase - IP65 - F motor with thermal protector and terminal box with capacitor out of the air stream. Brand S&P model TCBBX2/4-450 (230V50HZ) V5 .

Theoretical Working Point

Airflow	-
Static Pressure	0,000 N/m ²
Temperature	20 °C
Altitude	0 m
Density	1,2 kg/m ³
Frequency	50 Hz

Construction

Discharge diameter	450 mm
Fan size	450
Blades	7
Weight	36,90 kg

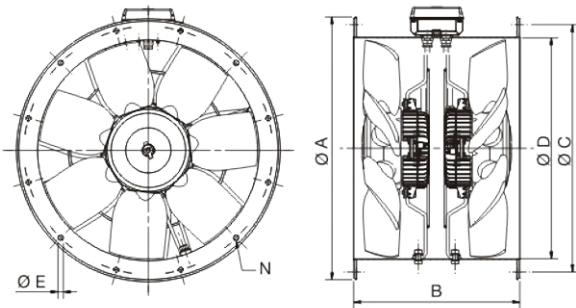
Motor Characteristics

Number of poles	4
Voltage	1-230V-50Hz
Maximum absorbed current	5,7 A
IP Rating	IP65
Motor insulation class	F

Working Point

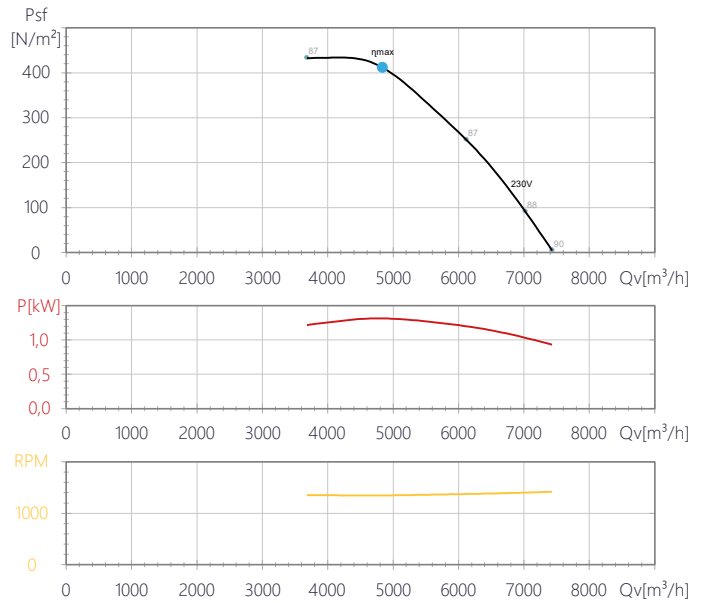
Fan speed	1370
-----------	------

Drawing



A	B	C	D	E	N
537	375	500	450	12	8

Performance Chart





TCBBX2/TCBTX2

5605764700 - TCBBX2/4-450 (230V50HZ) V5 - CYLINDRICAL CASED AXIAL FLOW FANS

Sound Performance

	63	125	250	500	1k	2k	4k	8k	Overall
Inlet (LwA)	46	73	85	82	85	79	72	64	90
Inlet LpA @ 1m	35	62	74	71	74	68	61	53	79
Outlet (LwA)	63	75	86	85	87	82	74	67	92
Outlet LpA @ 1m	52	64	75	74	76	71	63	56	81





TCBBX2/TCBTX2

5605764700 - TCBBX2/4-450 (230V50HZ) V5 - CYLINDRICAL CASED AXIAL FLOW FANS

ErP Data

Maximum efficiency %]	41,9
Installation type	C
Category efficiency	Static
N	N47,5
Variable speed drive	+
Year of manufacture	Product Rating Plate
Manufacturer's Info	S&P
Product code	5605764700
Input power at optimum efficiency point (kW)	1,316
Airflow at optimum efficiency point [m3/h]	4.842
Pressure at optimum efficiency point [Pa]	411
Speed at optimum efficiency point	1349
Specific Ratio	1
Recycling/disposal	Instruction Manual
Maintenance	Instruction Manual
Additional components	Catalogue and according to ISO 5801