



# HXBR/HXTR

5700381700 - HXBR/4-500-A (230V50HZ)C V5 - PLATE MOUNTED AXIAL FLOW FANS



Plate mounted axial flow fans manufactured from high grade galvanised steel and provided with a Sickle blade impeller, low sound level, protected against corrosion by cataforesis primer and a polyester black paint finish, single phase external rotor motor, equipped with thermal protection and terminal box with capacitor incorporated in single phase models.

### Motors

Available in 2, 4, 6, 8 or 12 poles, depending on versions.

Electrical supplies:

Single phase 230V-50Hz

Trade S&P model HXBR/4-500-A (230V50HZ)C V5

### Theoretical Working Point

Airflow	-
Static Pressure	0,000 N/m <sup>2</sup>
Temperature	20 °C
Altitude	0 m
Density	1,2 kg/m <sup>3</sup>
Frequency	50 Hz

### Construction

Discharge diameter	500 mm
Fan size	500
Weight	16,20 kg

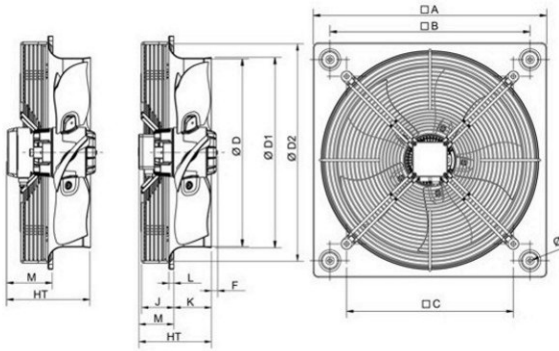
### Motor Characteristics

Number of poles	4
Voltage	1-230V-50Hz
Maximum absorbed current	3,6 A
IP Rating	IP54
Motor insulation class	F

### Working Point

Fan speed	1350
-----------	------

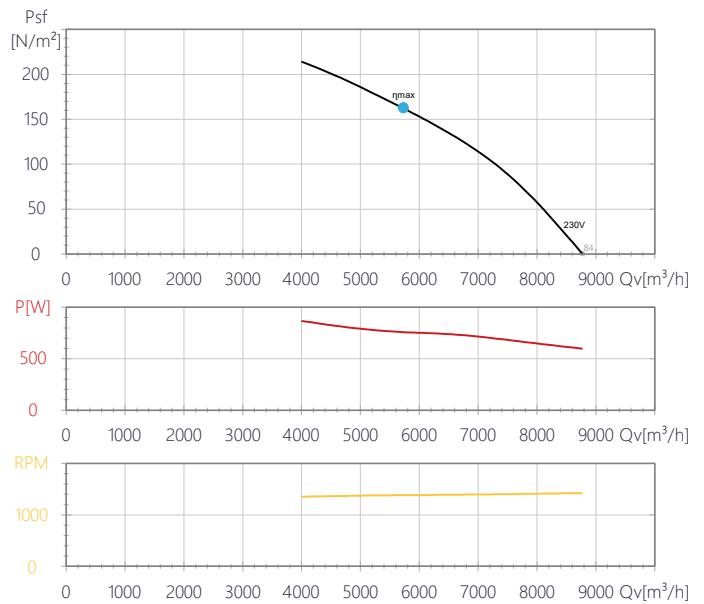
### Drawing



A	B	C	D	D1	D2	E	F	HT
630	560	450	500	512	534	10	13	201

J	K	L	M
60	97	12	104

### Performance Chart





# HXBR/HXTR

5700381700 - HXBR/4-500-A (230V50HZ)C V5 - PLATE MOUNTED AXIAL FLOW FANS

## Sound Performance

	63	125	250	500	1k	2k	4k	8k	Overall
Inlet (LwA)	42	64	71	76	81	76	70	60	84
Inlet LpA @ 1m	31	53	60	65	70	65	59	49	73





# HXBR/HXTR

5700381700 - HXBR/4-500-A (230V50HZ)C V5 - PLATE MOUNTED AXIAL FLOW FANS

## ErP Data

Maximum efficiency %	34,0
Installation type	A
Category efficiency	Static
N	N41,1
Variable speed drive	+
Year of manufacture	Product Rating Plate
Manufacturer's Info	S&P
Product code	5700381700
Input power at optimum efficiency point (kW)	0,759
Airflow at optimum efficiency point [m <sup>3</sup> /h]	5.736
Pressure at optimum efficiency point [Pa]	162
Speed at optimum efficiency point	1383
Specific Ratio	1
Recycling/disposal	Instruction Manual
Maintenance	Instruction Manual
Additional components	Catalogue and according to ISO 5801