



HXBR/HXTR

5750256900 - HXBR/4-355 (230V 50Y60) V5 - PLATE MOUNTED AXIAL FLOW FANS



Plate mounted axial flow fans manufactured from high grade galvanised steel and provided with a Sickle blade impeller, low sound level, protected against corrosion by cataforesis primer and a polyester black paint finish, single phase external rotor motor, equipped with thermal protection and terminal box with capacitor incorporated in single phase models.

Motors

Available in 2, 4, 6, 8 or 12 poles, depending on versions.

Electrical supplies:

Single phase 230V-50Hz

Trade S&P model HXBR/4-355 (230V 50Y60) V5

Theoretical Working Point

Airflow	-
Static Pressure	0,000 N/m ²
Temperature	20 °C
Altitude	0 m
Density	1,2 kg/m ³
Frequency	50 Hz

Construction

Discharge diameter	355 mm
Fan size	355
Weight	5,40 kg

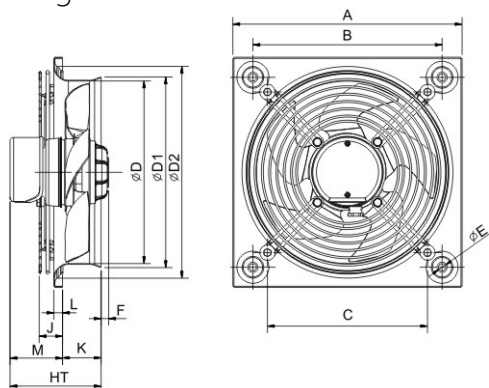
Motor Characteristics

Number of poles	4
Voltage	1-230V-50Hz
Maximum absorbed current	0,7 A
IP Rating	IP44
Motor insulation class	F

Working Point

Fan speed	1400
-----------	------

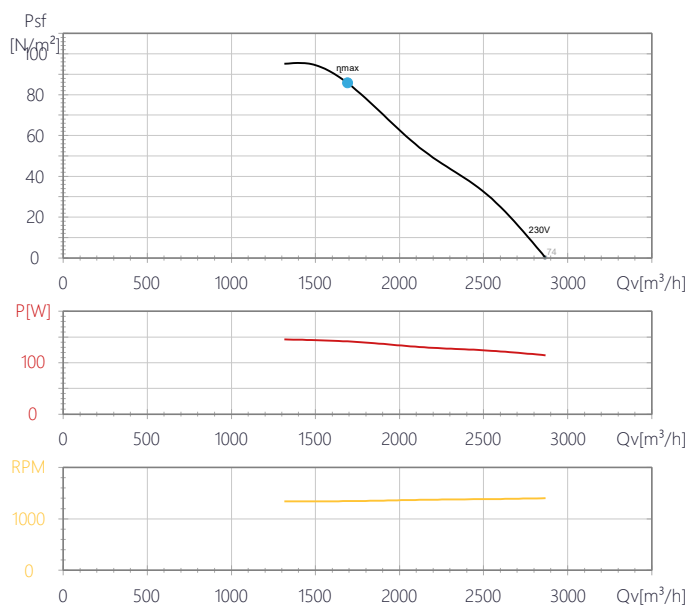
Drawing



A	B	C	D	D1	D2	E	F	HT
450	380	315	355	363	369	10	0	156

J	K	L	M
41	75	12	82

Performance Chart





HXBR/HXTR

5750256900 - HXBR/4-355 (230V 50Y60) V5 - PLATE MOUNTED AXIAL FLOW FANS

Sound Performance

	63	125	250	500	1k	2k	4k	8k	Overall
Inlet (LwA)	37	54	58	67	70	68	62	52	74
Inlet LpA @ 1m	26	43	47	56	59	57	51	41	63





HXBR/HXTR

5750256900 - HXBR/4-355 (230V 50Y60) V5 - PLATE MOUNTED AXIAL FLOW FANS

ErP Data

Maximum efficiency %	28,4
Installation type	A
Category efficiency	Static
N	N40,1
Variable speed drive	+
Year of manufacture	Product Rating Plate
Manufacturer's Info	S&P
Product code	5750256900
Input power at optimum efficiency point (kW)	0,141
Airflow at optimum efficiency point [m ³ /h]	1.691
Pressure at optimum efficiency point [Pa]	86
Speed at optimum efficiency point	1345
Specific Ratio	1
Recycling/disposal	Instruction Manual
Maintenance	Instruction Manual
Additional components	Catalogue and according to ISO 5801