



HCBB/HCBT

5603913400 - HCBT/4-710/H-A (230/400V50HZ) V5 - PLATE MOUNTED AXIAL FLOW FANS



Range of low profile plate mounted axial fans fitted with aluminium impellers and three phase motor (HCBT), IP65, Class F insulation (2), equipped with thermal protection*.
*Except models Ø 800 to 1000.

Motors

Available, depending upon the model, with single or three phase motors in 4 or 6 poles. All motors are speed controllable by autotransformer except models /4-630, B/710, T/4-710, T/800, T/900 and T/1000. Three phase models are speed controllable by inverter.
Electrical supplies:
Three phase 230/400V-50Hz or 400V-50Hz.
Trade S&P model HCBT/4-710/H-A (230/400V50HZ) V5

Theoretical Working Point

Airflow	-
Static Pressure	0,000 N/m ²
Temperature	20 °C
Altitude	0 m
Density	1,2 kg/m ³
Frequency	50 Hz

Construction

Discharge diameter	710 mm
Fan size	710
Blades	7
Weight	31,50 kg

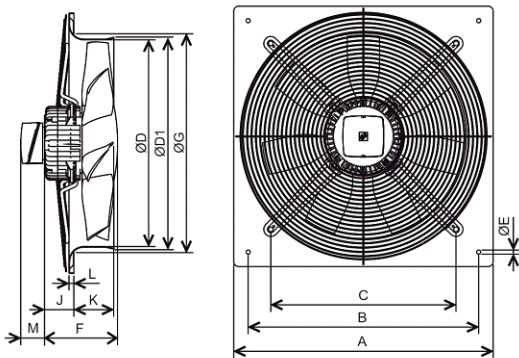
Motor Characteristics

Number of poles	4
Voltage	3-230/400V-50Hz
Maximum absorbed current	7,7 A / 4,4 A
IP Rating	IP65
Motor insulation class	F

Working Point

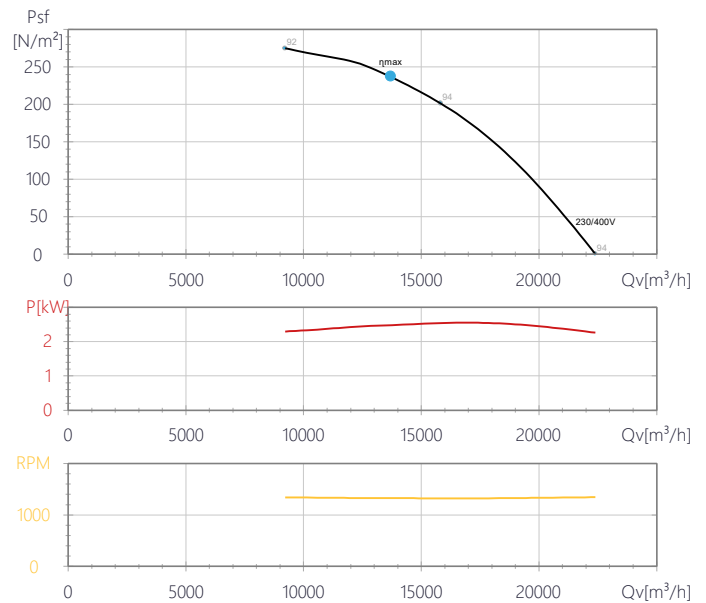
Fan speed	1350
-----------	------

Drawing



A	B	C	D	D1	E	F	G	J
900	800	636	710	720	12	220	733	114
K	L	M						
91.5	16.5	60						

Performance Chart





HCBB/HCBT

5603913400 - HCBT/4-710/H-A (230/400V50HZ) V5 - PLATE MOUNTED AXIAL FLOW FANS

Sound Performance

	63	125	250	500	1k	2k	4k	8k	Overall
Inlet (LwA)	60	77	85	87	89	87	83	74	94
Inlet LpA @ 1m	49	66	74	76	78	76	72	63	83





HCBB/HCBT

5603913400 - HCBT/4-710/H-A (230/400V50HZ) V5 - PLATE MOUNTED AXIAL FLOW FANS

ErP Data

Maximum efficiency %	36,3
Installation type	A
Category efficiency	Static
N	N40,1
Variable speed drive	+
Year of manufacture	Product Rating Plate
Manufacturer's Info	S&P
Product code	5603913400
Input power at optimum efficiency point (kW)	2,483
Airflow at optimum efficiency point [m ³ /h]	13.700
Pressure at optimum efficiency point [Pa]	237
Speed at optimum efficiency point	1326
Specific Ratio	1
Recycling/disposal	Instruction Manual
Maintenance	Instruction Manual
Additional components	Catalogue and according to ISO 5801