



HCBB/HCBT

5603645200 - HCBT/4-630/H-A (230/400V50HZ) V5 - PLATE MOUNTED AXIAL FLOW FANS



Range of low profile plate mounted axial fans fitted with aluminium impellers and three phase motor (HCBT), IP65, Class F insulation (2), equipped with thermal protection*.
*Except models Ø 800 to 1000.

Motors

Available, depending upon the model, with single or three phase motors in 4 or 6 poles. All motors are speed controllable by autotransformer except models /4-630, B/710, T/4-710, T/800, T/900 and T/1000.
Three phase models are speed controllable by inverter.
Electrical supplies:
Three phase 230/400V-50Hz or 400V-50Hz.
Trade S&P model HCBT/4-630/H-A (230/400V50HZ) V5

Theoretical Working Point

Airflow	-
Static Pressure	0,000 N/m ²
Temperature	20 °C
Altitude	0 m
Density	1,2 kg/m ³
Frequency	50 Hz

Construction

Discharge diameter	630 mm
Fan size	630
Blades	7
Weight	26,46 kg

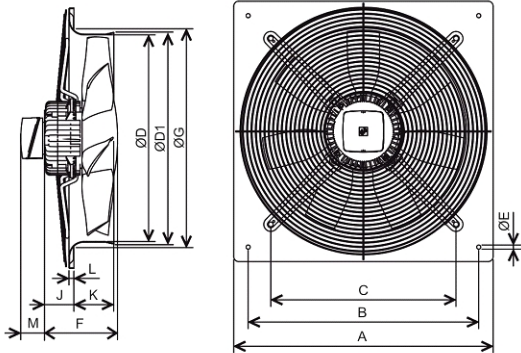
Motor Characteristics

Number of poles	4
Voltage	3-230/400V-50Hz
Maximum absorbed current	5,3 A / 3,1 A
IP Rating	IP65
Motor insulation class	F

Working Point

Fan speed	1385
-----------	------

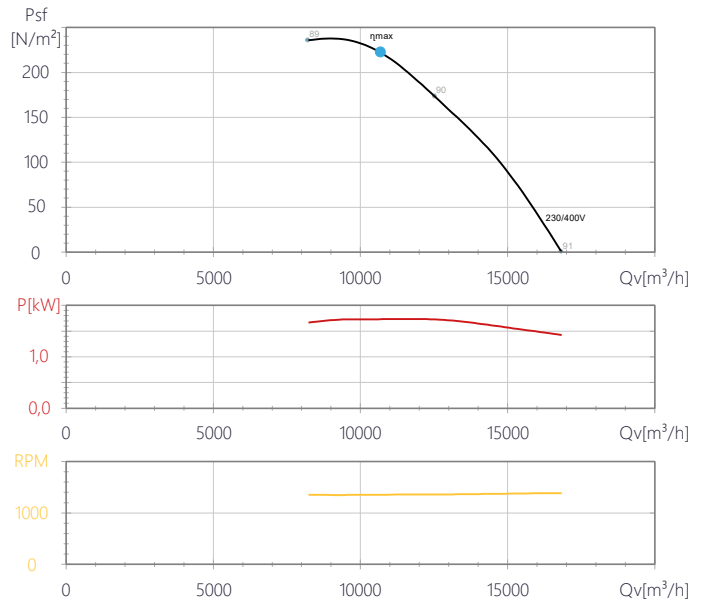
Drawing



A	B	C	D	D1	E	F	G	J
800	710	580	630	640	12	218.5	674	110.5

K	L	M
103	12	60

Performance Chart





HCBB/HCBT

5603645200 - HCBT/4-630/H-A (230/400V50HZ) V5 - PLATE MOUNTED AXIAL FLOW FANS

Sound Performance

	63	125	250	500	1k	2k	4k	8k	Overall
Inlet (LwA)	59	74	78	83	87	84	81	74	91
Inlet LpA @ 1m	48	63	67	72	76	73	70	63	80





HCBB/HCBT

5603645200 - HCBT/4-630/H-A (230/400V50HZ) V5 - PLATE MOUNTED AXIAL FLOW FANS

ErP Data

Maximum efficiency %	38,1
Installation type	A
Category efficiency	Static
N	N42,9
Variable speed drive	+
Year of manufacture	Product Rating Plate
Manufacturer's Info	S&P
Product code	5603645200
Input power at optimum efficiency point (kW)	1,731
Airflow at optimum efficiency point [m ³ /h]	10.708
Pressure at optimum efficiency point [Pa]	222
Speed at optimum efficiency point	1355
Specific Ratio	1
Recycling/disposal	Instruction Manual
Maintenance	Instruction Manual
Additional components	Catalogue and according to ISO 5801