



# HCBB/HCBT

5603053900 - HCBT/4-500/H-A (230/400V50HZ) V5 - PLATE MOUNTED AXIAL FLOW FANS



Range of low profile plate mounted axial fans fitted with aluminium impellers and three phase motor (HCBT), IP65, Class F insulation (2), equipped with thermal protection\*.  
\*Except models Ø 800 to 1000.

### Motors

Available, depending upon the model, with single or three phase motors in 4 or 6 poles. All motors are speed controllable by autotransformer except models /4-630, B/710, T/4-710, T/800, T/900 and T/1000.  
Three phase models are speed controllable by inverter.  
Electrical supplies:  
Three phase 230/400V-50Hz or 400V-50Hz.  
Trade S&P model HCBT/4-500/H-A (230/400V50HZ) V5

### Theoretical Working Point

Airflow	-
Static Pressure	0,000 N/m <sup>2</sup>
Temperature	20 °C
Altitude	0 m
Density	1,2 kg/m <sup>3</sup>
Frequency	50 Hz

### Construction

Discharge diameter	500 mm
Fan size	500
Blades	7
Weight	17,28 kg

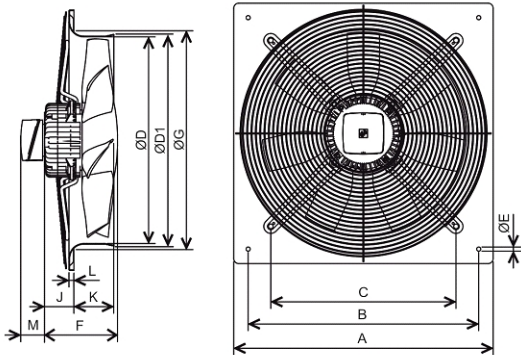
### Motor Characteristics

Number of poles	4
Voltage	3-230/400V-50Hz
Maximum absorbed current	2,7 A / 1,6 A
IP Rating	IP65
Motor insulation class	F

### Working Point

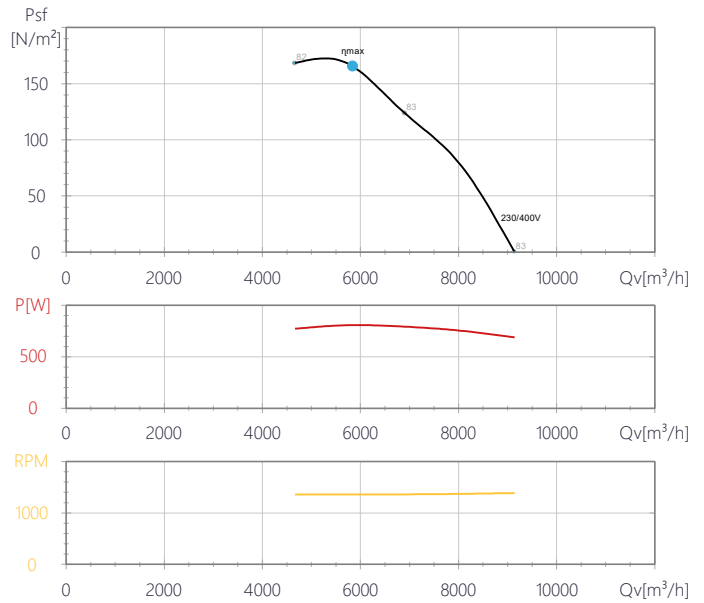
Fan speed	1390
-----------	------

### Drawing



A	B	C	D	D1	E	F	G	J
630	560	450	500	512	10	150	536	44.5
K	L	M						
97	12	60						

### Performance Chart





# HCBB/HCBT

5603053900 - HCBT/4-500/H-A (230/400V50HZ) V5 - PLATE MOUNTED AXIAL FLOW FANS

## Sound Performance

	63	125	250	500	1k	2k	4k	8k	Overall
Inlet (LwA)	50	69	69	75	79	77	73	66	83
Inlet LpA @ 1m	39	58	58	64	68	66	62	55	72





# HCBB/HCBT

5603053900 - HCBT/4-500/H-A (230/400V50HZ) V5 - PLATE MOUNTED AXIAL FLOW FANS

## ErP Data

Maximum efficiency %	33,2
Installation type	A
Category efficiency	Static
N	N40,1
Variable speed drive	+
Year of manufacture	Product Rating Plate
Manufacturer's Info	S&P
Product code	5603053900
Input power at optimum efficiency point (kW)	0,808
Airflow at optimum efficiency point [m3/h]	5.844
Pressure at optimum efficiency point [Pa]	165
Speed at optimum efficiency point	1357
Specific Ratio	1
Recycling/disposal	Instruction Manual
Maintenance	Instruction Manual
Additional components	Catalogue and according to ISO 5801