



HCBB/HCBT

5603139100 - HCBB/4-400/H-A (230V50HZ) V5 - PLATE MOUNTED AXIAL FLOW FANS



Range of low profile plate mounted axial fans fitted with aluminium impellers and single phase motor (HCBB), IP65, Class F insulation, equipped with thermal protection*.
*Except models Ø 800 to 1000.

Motors

Available, depending upon the model, with single or three phase motors in 4 or 6 poles. All motors are speed controllable by autotransformer except models /4-630, B/710, T/4-710, T/800, T/900 and T/1000.

Electrical supplies:

Single phase 230V-50Hz.

(Capacitor located inside the wiring terminal box).

Trade S&P model HCBB/4-400/H-A (230V50HZ) V5

Theoretical Working Point

Airflow	-
Static Pressure	0,000 N/m ²
Temperature	20 °C
Altitude	0 m
Density	1,2 kg/m ³
Frequency	50 Hz

Construction

Discharge diameter	400 mm
Fan size	400
Blades	7
Weight	9,18 kg

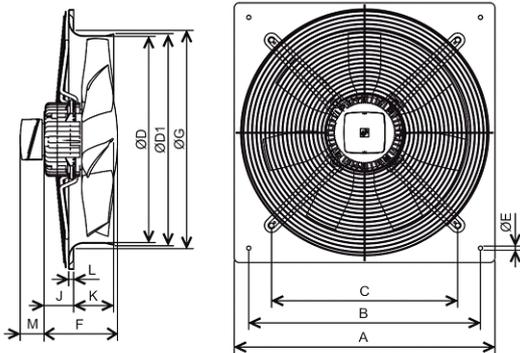
Motor Characteristics

Number of poles	4
Voltage	1-230V-50Hz
Maximum absorbed current	1,3 A
IP Rating	IP65
Motor insulation class	F

Working Point

Fan speed	1360
-----------	------

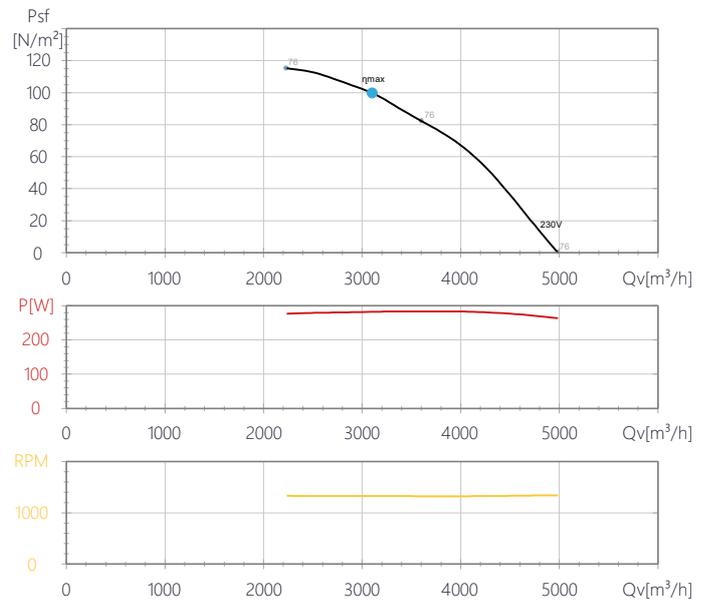
Drawing



A	B	C	D	D1	E	F	G	J
500	420	355	400	410	10	129	422	40.5

K	L	M
78	12	65

Performance Chart





HCBB/HCBT

5603139100 - HCBB/4-400/H-A (230V50HZ) V5 - PLATE MOUNTED AXIAL FLOW FANS

Sound Performance

	63	125	250	500	1k	2k	4k	8k	Overall
Inlet (LwA)	48	61	61	68	72	69	66	57	76
Inlet LpA @ 1m	37	50	51	57	62	58	55	46	65





HCBB/HCBT

5603139100 - HCBB/4-400/H-A (230V50HZ) V5 - PLATE MOUNTED AXIAL FLOW FANS



ErP Data

Maximum efficiency %]	30,4
Installation type	A
Category efficiency	Static
N	N40,2
Variable speed drive	+
Year of manufacture	Product Rating Plate
Manufacturer's Info	S&P
Product code	5603139100
Input power at optimum efficiency point (kW)	0,283
Airflow at optimum efficiency point [m3/h]	3.107
Pressure at optimum efficiency point [Pa]	100
Speed at optimum efficiency point	1327
Specific Ratio	1
Recycling/disposal	Instruction Manual
Maintenance	Instruction Manual
Additional components	Catalogue and according to ISO 5801