



# HCBB/HCBT

5603889600 - HCBB/4-250/H-A (230V50/60HZ) VE - PLATE MOUNTED AXIAL FLOW FANS



Range of low profile plate mounted axial fans fitted with aluminium impellers and single phase motor (HCBB), IP65, Class F insulation, equipped with thermal protection\*.  
\*Except models Ø 800 to 1000.

## Motors

Available, depending upon the model, with single or three phase motors in 4 or 6 poles. All motors are speed controllable by autotransformer except models /4-630, B/710, T/4-710, T/800, T/900 and T/1000.

Electrical supplies:

Single phase 230V-50Hz.

(Capacitor located inside the wiring terminal box).

Trade S&P model HCBB/4-250/H-A (230V50/60HZ) VE

## Theoretical Working Point

Airflow	-
Static Pressure	0,000 N/m <sup>2</sup>
Temperature	20 °C
Altitude	0 m
Density	1,2 kg/m <sup>3</sup>
Frequency	50 Hz

## Construction

Discharge diameter	250 mm
Fan size	250
Blades	6
Weight	4,14 kg

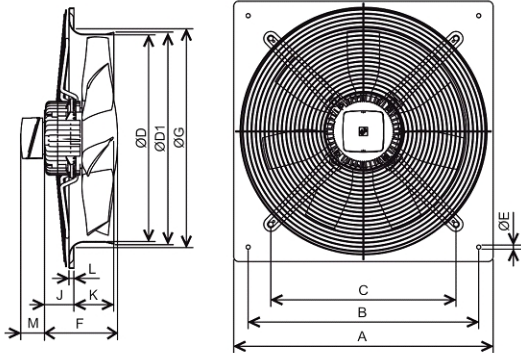
## Motor Characteristics

Number of poles	4
Voltage	1-230V-50Hz
Maximum absorbed current	0,4 A
IP Rating	IP65
Motor insulation class	F

## Working Point

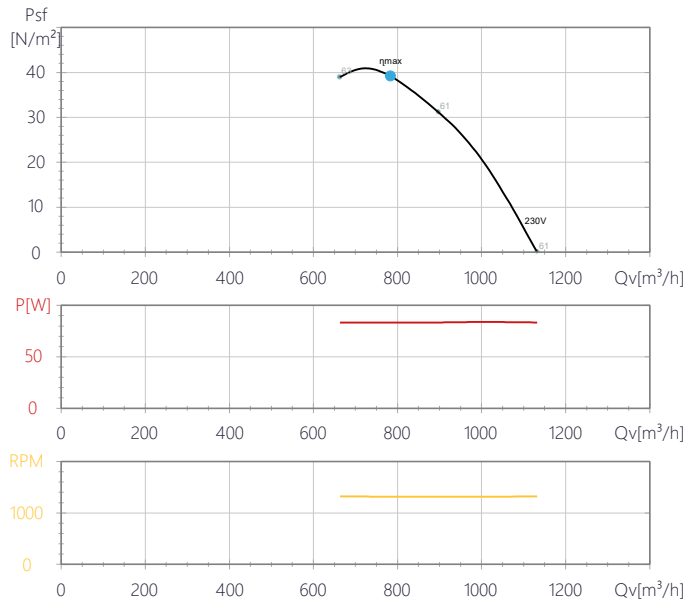
Fan speed	1325
-----------	------

## Drawing



A	B	C	D	D1	E	F	G	J
315	260	220	254	261	10	122	294	59
K	L	M						
53	12	60						

## Performance Chart





# HCBB/HCBT

5603889600 - HCBB/4-250/H-A (230V50/60HZ) VE - PLATE MOUNTED AXIAL FLOW FANS

## Sound Performance

	63	125	250	500	1k	2k	4k	8k	Overall
Inlet (LwA)	29	43	50	55	56	55	50	42	61
Inlet LpA @ 1m	18	32	39	44	45	44	39	31	50





# HCBB/HCBT

5603889600 - HCBB/4-250/H-A (230V50/60HZ) VE - PLATE MOUNTED AXIAL FLOW FANS

## ErP Data

Maximum efficiency %]	10,2
Installation type	A
Category efficiency	Static
N	N23,3
Variable speed drive	+
Year of manufacture	Product Rating Plate
Manufacturer's Info	S&P
Product code	5603889600
Input power at optimum efficiency point (kW)	0,083
Airflow at optimum efficiency point [m3/h]	784
Pressure at optimum efficiency point [Pa]	39
Speed at optimum efficiency point	1317
Specific Ratio	1
Recycling/disposal	Instruction Manual
Maintenance	Instruction Manual
Additional components	Catalogue and according to ISO 5801