

# **SLIM QUBE SSQUHT**

## Installation & Maintenance

## Installation Instructions

### 1.0 General

- 1.1 It is important these Installation and Maintenance Instructions are fully adhered to.
- 1.2 Full details of the unit supplied are shown on the product nameplate. If in doubt about any detail contact Elta-UK Ltd or its agents for clarification.
- 1.3 All electrical installation must be carried out by suitably qualified and competent personnel in accordance with all current statutory requirements.
- 1.4 These instructions cover only the Elta-UK Ltd product and do not include the supply or installation of any safety equipment that may be required e.g. adequate guarding or protection from rotating parts and proper electrical isolation.
- 1.5 Any declarations made by Elta-UK Ltd about product installation and safety, are dependent on the fan equipment being used within installations which themselves meet the requirements of the relevant Standards and Directives of your region.
- 1.6 The fan is designed for use in an ambient temperature of -20°C up to +120°C.
- 1.7 The installer should provide easy access to the fan to facilitate future maintenance.
- 1.8 The installer should ensure the fan is adequately supported.
- 1.9 This product is not intended for use by persons (including children) with reduced physical, sensory or mental capabilities, or lack of experience and knowledge, unless they have been given supervision or instruction concerning use of the product by a person responsible for their safety.  
Children should be supervised to ensure that they do not play with the product
- 1.10 At end-of-life, the unit must be disposed of in an environmentally friendly manner by suitably qualified and competent personnel in accordance with the requirements of applicable Standards and Directives.

### 2.0 Installation

**WARNING** – The fan must be isolated from the power supply during installation and maintenance. The fan must be earthed in accordance with the local regulations.

- 2.1 Upon receipt, the fan equipment should be visually inspected to check for any damage. Ensure that the impeller is free to rotate.
- 2.2 If there are any queries concerning the fan equipment, Elta-UK Ltd should be contacted prior to the installation.
- 2.3 The fan must be securely mounted and the panels adjusted to suit the desired position to suit the application.
- 2.4 Check the details on the motor/fan rating plate to ensure that the correct power supply (voltage, frequency and phase) is available. An incorrect power supply will lead to permanent damage to the motor.
- 2.5 Refer to the appropriate wiring diagram. Ensure that all earth connections are made.
- 2.6 Means for electrical disconnection must be incorporated in the wiring installation in accordance with the relevant wiring and electrical regulations.
- 2.7 Precaution must be taken to locate the exhaust discharge terminal so as to avoid the backflow of gases into the room from the open flue of gas or other fuel burning appliances.
- 2.8 The SSQU fan range is designed with rearrangeable panels, providing you with the flexibility to customize the installation according to your specific needs. If in doubt, contact Elta.

### 3.0 Storage

- 3.1 The storage place must be vibration free, clean, dry and not subject to extreme temperature variations.
- 3.2 When storing for prolonged periods, whereby non rotation of motor occurs, we recommend electrical and bearing inspection, as they may have incurred damage or require possible re-lubrication.

**WARNING** – Elta-UK Ltd should be consulted in instances where speed controllers or inverter devices are to be used.

### 4.0 Start Up

- 4.1 Before power is supplied to the unit, check that the wiring is correct as per the fan connection diagram.
- 4.2 At initial start-up, check that impeller rotation and airflow direction is correct.
- 4.3 Check that the motor amperage draw does not exceed the nameplate rating.

### 5.0 Fan Maintenance

- 5.1 Inspection of the fan at least once every 12 months is recommended to ensure that the motor, fan blades, and supporting guards, are clean. Any build up of dust and deposits on the blades or guards should be removed using a non-abrasive cleaner.
- 5.2 All fastenings should be checked for tightness. In addition, all rotating items should be checked.
- 5.3 Bearings are of the 'sealed for life' type and will not need a detailed inspection.
- 5.4 The SSQU range has an easily removable panel arrangement fixed to Multi- thread "U" nuts, ideal for frequent cleaning.

**WARNING** – Fuses/circuit breakers are used to provide short circuit protection only. A starter panel with overload protection should be used to protect the motor. Only a suitably qualified and competent person may carry out maintenance after the electrical supply has been isolated.

# SLIM QUBE SSQUHT



## Installation Instructions

**Table 1: Operational Maintenance**

Activity	Frequency
Inspect AV mounts for Corrosion or “Sag”	6 months
Check earth bonding	6 months
Dampers check rubber stops and grease (lithium based) pivot points, by removing plastic caps	Yearly
Check fixings tightness and conditions of brass track and rivets	26,000 hours / 3 years
Inspect and clean impeller	26,000 hours / 3 years
Remove dirt from motor cooling fins	26,000 hours / 3 years
Check operation of anti-condensation heaters	26,000 hours / 3 years
Check for even tip clearance between impeller and casing	26,000 hours / 3 years
Check motor Amps	26,000 hours / 3 years
Any corrosion - treat with suitable chemicals	26,000 hours / 3 years
Check casing seals	26,000 hours / 3 years

**Table 2: Terminal Box Maintenance**

Activity	Frequency
Check that lid seal is in place and not damaged	Each time the enclosure is opened
Check that lid fixing screws are in place and secured	Each time the enclosure is closed
Check that the mounting bolts are tight and free from corrosion	Annually
Check security of all cable glands	Annually
Check that all screw clamps terminals are secure	Annually and each time enclosure is opened
Check enclosure for damage	Annually

### 6.0 Guarantee

Elta-UK Ltd will, free of charge, within a period of 1 year from the date of dispatch from their works, repair or at its option replace any goods which are provided to have defects as a result of defective materials or workmanship. The goods MUST be returned to Elta Ltd carriage paid for examination.

### 7.0 Recycling

Elta use components, when possible, that are suitable for recycling at the end of the product's life, components can be segregated as stated below and processed in accordance with local regulations. Metallic items can be segregated and recycled; Electrical and Electronic equipment such as motors, cables and control devices can be segregated for WEEE recycling; Cardboard, wood, packaging, and plastic components can be widely recycled. Items not listed should be segregated in accordance with local authority zero waste hierarchy recommendations.

### 8.0 Wiring

**WARNING** – Correct rotation must be ensured as Air flow direction will be correct even if the impeller is rotating in the wrong direction. Incorrect direction of rotation will result in lower air volumes, increased noise and higher electrical current, which will harm the motor.

# SLIM QUBE SSQUHT



## Wiring Diagrams

Please use the table(s) below to match up the product code and the wiring diagram number.

### Single Phase 220V to 240V / 50Hz

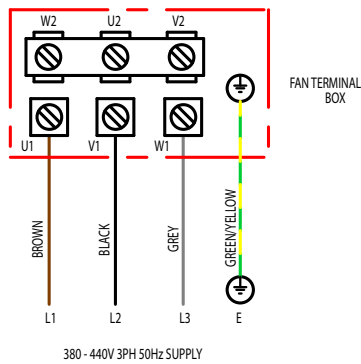
Page No.	Product Code	Wiring Diagram No.
5	<a href="#">SSQUHT50/350-4-3</a>	152-600
5	<a href="#">SSQUHT67/400-4-3</a>	152-600
5	<a href="#">SSQUHT67/500-4-3</a>	152-600
5	<a href="#">SSQUHT82/500-4-3</a>	152-600
5	<a href="#">SSQUHT82/560-4-3</a>	152-600
5	<a href="#">SSQUHT102/630-4-3</a>	152-600

# 152-600

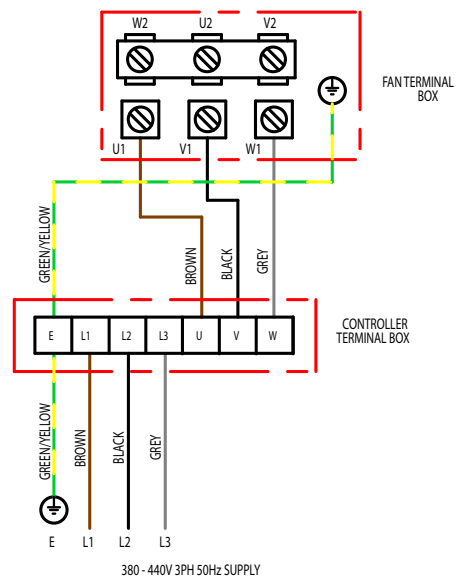
## Wiring Diagrams



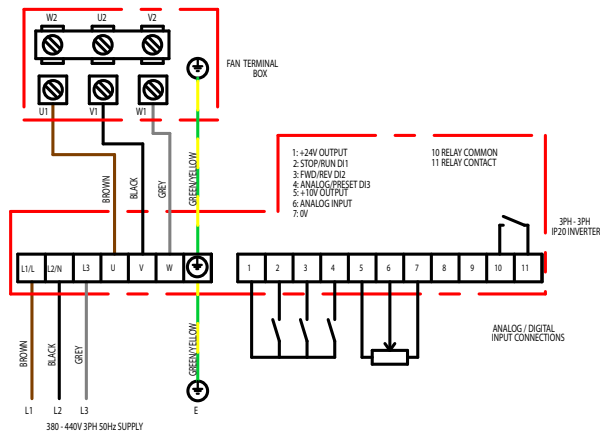
FIXED SPEED Y CONNECTION



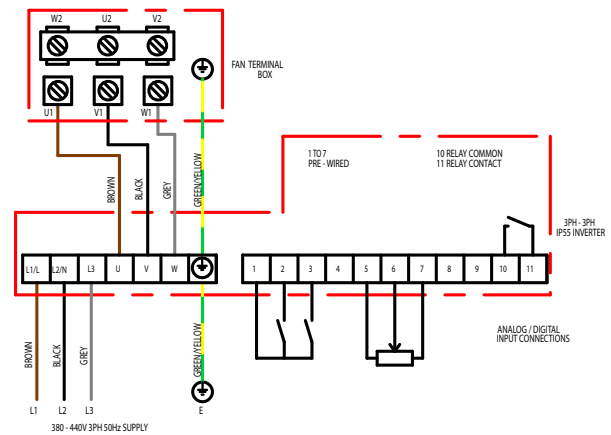
VARIABLE SPEED Y CONNECTION CONTROLLER TYPE TC33, TC35, TC310



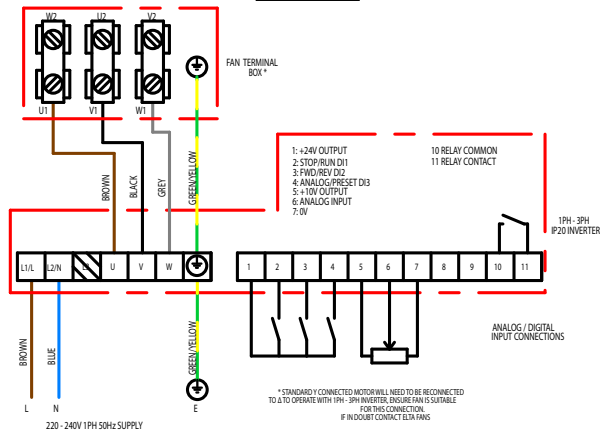
3PH Y CONNECTED FAN C/W INVERTER



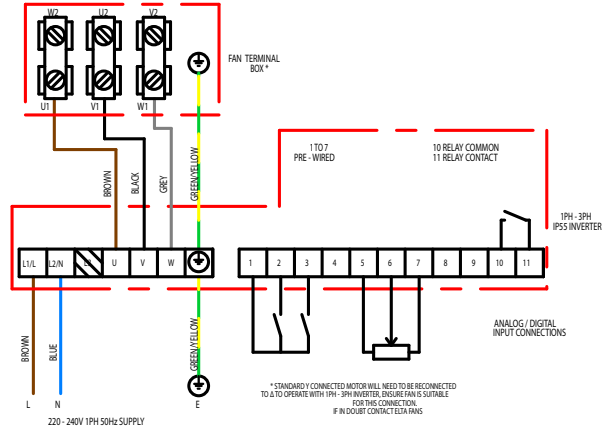
3PH Y CONNECTED FAN C/W INVERTER



Y RECONFIGURED BY CUSTOMER TO A FOR USE WITH 1PH-3PH INVERTER



Y RECONFIGURED BY CUSTOMER TO A FOR USE WITH 1PH-3PH INVERTER



All wiring and control equipment must comply to the latest IEE regulations, in particular part 552-01-02/03.

MK-152-600 Issue B: 29.04.2015

Check the individual product accessories table for fan controller compatibility.

Elta-UK Limited has a policy of continuous product development and improvement and therefore reserves the right to supply products which may differ from those illustrated and described in this publication. Confirmation of dimensions and data will be supplied on request.





# ELTA

Tel **+44 (0) 1384 275800**  
Email **info@eltauk.com**  
**eltauk.com**

535-IOM0034 Issue E



BS EN ISO 9001:2015 FM 556465



A MEMBER OF  ELTA GROUP