



# JETFLOW SJMF

Inline Mixed Flow Circular Fan

# JETFLOW SJMF

## Product Overview

- 6 standard sizes from 100mm to 315mm
- Air volume flow rates up to 0.815 m<sup>3</sup>/s
- Static pressures up to 677 Pa
- Suitable for operating temperatures up to +60°C
- Light weight galvanised sheet steel casing
- Low Specific Fan Powers
- Available in **EC**



**Inline mixed flow circular fans with EC motors for low power consumption at high performance.**

### Construction

Manufactured with aluminium or cold rolled steel sheet, dependant on size.

### Motor

Brushless EC motors are fitted as standard. The IPX4 motor contains sealed for life heavy duty NWB bearings. All motors are suitable for use in ambient air conditions up to +60°C.

### Impeller

A high efficiency jet design double mixed flow impeller integrated and directly driven by an EC motor.

### Electrical Connection

Electrical connection via 1.5 metre Mains lead complete with BS1363-1 UK 3-pin plug BS1361 fuse 3A.

### Control

Supplied suitable for fixed speed operation. A Detachable 5 metre lead with 3.5mm jack connection to the unit is supplied for connection to a remote potentiometer, 0-10VDC or PWM Circuit.

### Quality Management

Units are to be designed and manufactured with procedures as defined in BS EN ISO 9001.

### Warranty

Each SJMF has a 24 month warranty.

### Typical Applications

- Schools
- Colleges
- Shops
- Retail Parks
- Commercial
- Hotels
- Restaurants
- Cafes
- Cafeterias
- Pubs
- Offices
- General HVAC

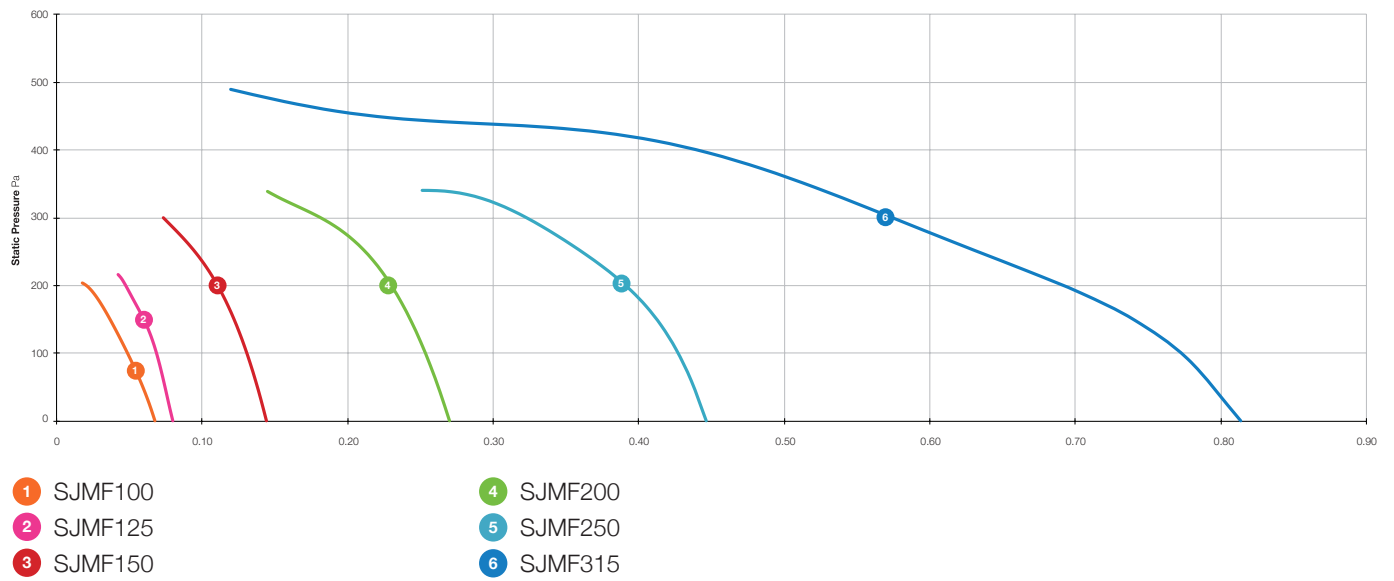
### Contents

Page	Information
3	Performance Range Curves
4	Performance, SFP & Electrical Data
5	Sound Data
6	Dimensional Data
8	Accessories

# JETFLOW SJMF



## Performance Range Curves



# JETFLOW SJMF



## Performance, SFP & Electrical Data

Single Phase 220V to 240V / 50Hz or 60Hz

Product Code	Control Voltage V	Speed r/min	Airflow SFP	Airflow m³/s @ Static Pressure Pa											At Best Efficiency Point		Electrical Data		dBA @ 3m	
				0	25	50	75	100	150	200	250	300	350	400	Overall Eff %	Input kW	Peak Amps			
SJMF100	10	5000	m³/s	0.067	0.063	0.059	0.054	0.048	0.036	0.020	-	-	-	-	32.1	0.021	0.24	Inlet	46	
			W/(L/s)	0.31	0.33	0.36	0.40	0.45	0.57	0.94	-	-	-	-				Outlet	47	
	7.5	3750	m³/s	0.059	0.053	0.048	0.041	0.034	0.015	-	-	-	-	29.5	0.015	0.18	Inlet	42		
			W/(L/s)	0.25	0.27	0.31	0.36	0.42	0.87	-	-	-	-				Outlet	43		
	5	2500	m³/s	0.043	0.036	0.028	0.017	-	-	-	-	-	-	24.9	0.007	0.09	Inlet	36		
			W/(L/s)	0.17	0.21	0.27	0.40	-	-	-	-	-	-				Outlet	36		
SJMF125	10	5000	m³/s	0.080	0.077	0.074	0.071	0.068	0.059	0.047	-	-	-	-	42.7	0.027	0.26	Inlet	47	
			W/(L/s)	0.30	0.32	0.33	0.36	0.38	0.45	0.56	-	-	-	-				Outlet	48	
	7.5	3750	m³/s	0.069	0.066	0.062	0.058	0.053	0.040	-	-	-	-	41.9	0.018	0.18	Inlet	43		
			W/(L/s)	0.21	0.24	0.27	0.30	0.34	0.43	-	-	-	-				Outlet	44		
	5	2500	m³/s	0.051	0.046	0.041	0.032	-	-	-	-	-	-	34.4	0.009	0.09	Inlet	37		
			W/(L/s)	0.15	0.17	0.21	0.27	-	-	-	-	-	-				Outlet	37		
SJMF150	10	4980	m³/s	0.144	0.141	0.137	0.134	0.130	0.121	0.110	0.094	-	-	-	61.0	0.049	0.39	Inlet	50	
			W/(L/s)	0.28	0.30	0.32	0.34	0.36	0.40	0.44	0.52	-	-	-				Outlet	51	
	7.5	4245	m³/s	0.123	0.119	0.115	0.111	0.106	0.094	0.074	-	-	-	-	62.2	0.031	0.30	Inlet	46	
			W/(L/s)	0.20	0.23	0.25	0.27	0.29	0.33	0.41	-	-	-	-				Outlet	47	
	5	3195	m³/s	0.092	0.087	0.080	0.072	0.059	-	-	-	-	-	-	50.7	0.015	0.13	Inlet	40	
			W/(L/s)	0.15	0.16	0.18	0.21	0.26	-	-	-	-	-	-				Outlet	40	
SJMF200	10	3740	m³/s	0.269	0.266	0.262	0.257	0.253	0.242	0.229	0.211	0.180	-	-	64.9	0.100	0.79	Inlet	51	
			W/(L/s)	0.28	0.29	0.30	0.31	0.33	0.37	0.42	0.47	0.54	-	-				Outlet	52	
	7.5	3225	m³/s	0.232	0.227	0.221	0.215	0.208	0.191	0.162	0.110	-	-	-	61.5	0.060	0.59	Inlet	48	
			W/(L/s)	0.18	0.21	0.23	0.25	0.28	0.32	0.38	0.50	-	-	-				Outlet	49	
	5	2505	m³/s	0.179	0.172	0.164	0.153	0.136	-	-	-	-	-	-	58.0	0.030	0.25	Inlet	43	
			W/(L/s)	0.13	0.15	0.17	0.19	0.22	-	-	-	-	-	-				Outlet	43	
SJMF250	10	3195	m³/s	0.446	0.442	0.437	0.432	0.427	0.412	0.390	0.360	0.322	-	-	64.6	0.172	1.30	Inlet	55	
			W/(L/s)	0.29	0.30	0.31	0.33	0.34	0.38	0.42	0.47	0.53	-	-				Outlet	56	
	7.5	2725	m³/s	0.382	0.377	0.371	0.364	0.355	0.330	0.293	0.250	-	-	-	68.1	0.106	0.98	Inlet	51	
			W/(L/s)	0.21	0.22	0.24	0.25	0.27	0.31	0.36	0.43	-	-	-				Outlet	52	
	5	2040	m³/s	0.282	0.273	0.261	0.245	0.222	-	-	-	-	-	-	68.1	0.045	0.36	Inlet	45	
			W/(L/s)	0.13	0.14	0.16	0.18	0.20	-	-	-	-	-	-				Outlet	45	
SJMF315	10	3000	m³/s	0.815	0.806	0.796	0.785	0.773	0.741	0.694	0.633	0.569	0.508	0.440	53.0	0.375	2.71	Inlet	62	
			W/(L/s)	0.37	0.39	0.41	0.43	0.45	0.50	0.55	0.61	0.66	0.74	0.85				Outlet	62	
	7.5	2600	m³/s	0.715	0.695	0.675	0.655	0.634	0.589	0.539	0.480	0.401	-	-	54.5	0.254	1.96	Inlet	58	
			W/(L/s)	0.30	0.32	0.34	0.36	0.38	0.42	0.47	0.53	0.63	-	-				Outlet	58	
	5	1950	m³/s	0.537	0.506	0.476	0.445	0.414	0.346	-	-	-	-	-	56.0	0.109	0.91	Inlet	52	
			W/(L/s)	0.18	0.20	0.22	0.24	0.26	0.32	-	-	-	-	-				Outlet	52	

Data provided is at standard air density of 1.2 kg/m³.

ERP data in accordance with Regulation (EU) 1253/2014. Product category is NRVU. Measurement category used to determine energy efficiency: D.

A variable speed drive is integrated within the fan.

Peak Amps @ 230V / 1PH / 50Hz.

The overall A-weighted sound pressure level is at a distance of 3m with spherical free-field propagation. It is expressed in dB re-20µPa and is presented for comparative purposes only.

Suitable for operation from 2V control signal. For performance, refer to our selection software.

# JETFLOW SJMF



## Sound Data

Single Phase 220V to 240V / 50Hz or 60Hz

Product Code	Control Voltage V	Speed r/min		Sound Power Level dBW @ Octave Band Hz								Total dB
				63Hz	125Hz	250Hz	500Hz	1kHz	2kHz	4kHz	8kHz	
SJMF100	10	5000	Inlet	50	47	53	62	59	60	58	57	67
			Outlet	47	47	55	63	60	60	60	58	68
	7.5	3750	Inlet	43	44	51	58	55	57	54	53	63
			Outlet	47	44	52	59	55	57	56	53	64
	5	2500	Inlet	49	42	49	52	49	52	48	47	58
			Outlet	45	41	48	52	49	51	50	47	58
SJMF125	10	5000	Inlet	54	51	57	66	60	61	59	58	68
			Outlet	51	51	59	67	61	61	61	59	69
	7.5	3750	Inlet	47	48	55	62	56	58	55	54	64
			Outlet	51	48	56	63	56	58	57	54	65
	5	2500	Inlet	53	46	53	56	50	53	49	48	59
			Outlet	49	45	52	56	50	52	51	48	59
SJMF150	10	4980	Inlet	54	51	57	66	63	64	62	61	71
			Outlet	51	51	59	67	64	64	64	62	72
	7.5	4245	Inlet	47	48	55	62	59	61	58	57	67
			Outlet	51	48	56	63	59	61	60	57	68
	5	3195	Inlet	53	46	53	56	53	56	52	51	62
			Outlet	49	45	52	56	53	55	54	51	62
SJMF200	10	3740	Inlet	73	56	57	66	65	66	65	62	76
			Outlet	58	55	61	67	65	67	66	63	73
	7.5	3225	Inlet	57	50	57	61	62	63	61	57	69
			Outlet	52	53	60	64	62	64	62	59	70
	5	2505	Inlet	46	47	56	55	58	59	55	52	64
			Outlet	48	48	58	58	57	59	56	52	65
SJMF250	10	3195	Inlet	72	58	65	72	70	69	68	65	78
			Outlet	77	60	67	72	70	70	69	67	80
	7.5	2725	Inlet	54	57	64	66	66	66	64	60	73
			Outlet	53	58	70	66	66	67	65	62	75
	5	2040	Inlet	48	51	60	59	60	60	56	52	67
			Outlet	51	53	61	59	60	61	57	53	67
SJMF315	10	3000	Inlet	82	88	86	78	76	73	69	63	91
			Outlet	84	88	86	79	76	75	69	63	92
	7.5	2600	Inlet	80	87	79	74	74	69	65	59	89
			Outlet	81	87	79	74	73	71	65	59	89
	5	1950	Inlet	75	84	75	67	66	61	57	50	85
			Outlet	76	82	75	68	65	63	56	49	84

Data provided at standard air density of 1.2 kg/m<sup>3</sup>.  
 Tests and preparation of the sound data have been carried out in accordance with BS 848 Part 2:1985 at 50% peak pressure.  
 The Sound Power Level Spectra are in dB re-1pW.

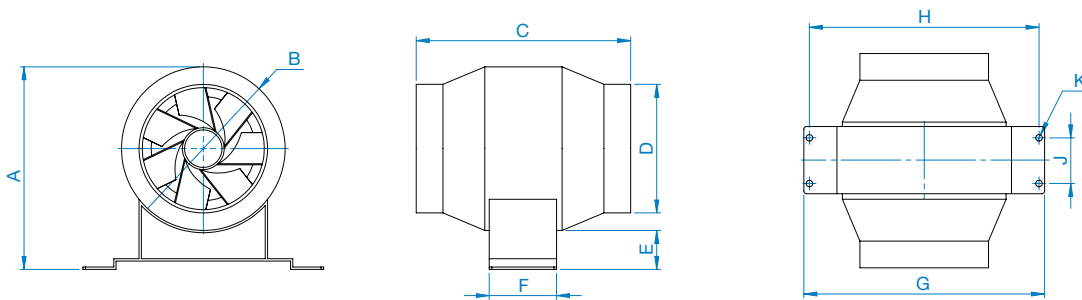
# JETFLOW SJMF



## Dimensional Data

### Single Phase

Product Code	A	B	C	D	E	F	G	H	J	K	Weight kg
<b>SJMF100</b>	150	125	159	98	25	51	184	175	37	5	1.1
<b>SJMF125</b>	151	126	110	124	26	51	184	175	37	5	1.1
<b>SJMF150</b>	173	153	165	150	21	80	187	175	37	5 x 8 SLOT	1.6
<b>SJMF200</b>	223	203	220	200	22	105	221	210	39	5 x 8 SLOT	2.6
<b>SJMF250</b>	274	254	210	250	22	105	300	288	26	5 x 8 SLOT	3.7
<b>SJMF315</b>	356	317	290	313	39	164	360	336	68	9 x 14 SLOT	8.5



Dimensions are in mm.

# JETFLOW SJMF



## Accessories

### Single Phase

Product Code	EC Electronic Controller	Fast Clamps (each)	Damper	Panel Filter	Electric Heater Battery
<b>SJMF100</b>	149-POT-10-MI	018-100-CLAMP	018-100-DAMPER	018-0100-FILT-P	018-CV10-06-1M
<b>SJMF125</b>	149-POT-10-MI	018-125-CLAMP	018-125-DAMPER	018-0125-FILT-P	018-CV12-12-1M
<b>SJMF150</b>	149-POT-10-MI	018-150-CLAMP	018-150-DAMPER	018-0150-FILT-P	018-CV15-27-1M
<b>SJMF200</b>	149-POT-10-MI	018-200-CLAMP	018-200-DAMPER	018-0200-FILT-P	018-CV20-30-1M
<b>SJMF250</b>	149-POT-10-MI	018-250-CLAMP	018-250-DAMPER	018-0250-FILT-P	018-CV25-30-1M
<b>SJMF315</b>	149-POT-10-MI	018-315-CLAMP	018-315-DAMPER	018-0315-FILT-P	018-CV31-30-1M
					018-CV31-45-1M
					018-CV31-90-3M

Product Code	Spigot Silencer 300mm Long	Spigot Silencer 600mm Long	Spigot Silencer 900mm Long	Spigot Silencer 1200mm Long	Wiring Diagram
<b>SJMF100</b>	068-0100-JF1	068-0100-JF2	068-0100-JF3	068-0100-JF4	152-553
<b>SJMF125</b>	068-0125-JF1	068-0125-JF2	068-0125-JF3	068-0125-JF4	152-553
<b>SJMF150</b>	068-0150-JF1	068-0150-JF2	068-0150-JF3	068-0150-JF4	152-553
<b>SJMF200</b>	068-0200-JF1	068-0200-JF2	068-0200-JF3	068-0200-JF4	152-553
<b>SJMF250</b>	068-0250-JF1	068-0250-JF2	068-0250-JF3	068-0250-JF4	152-553
<b>SJMF315</b>	068-0315-JF1	068-0315-JF2	068-0315-JF3	068-0315-JF4	152-553

## Building Services

Tel **+44 (0) 1384 275800**  
Fax **+44 (0) 1384 275810**  
Email **info@eltafans.co.uk**

46 Third Avenue, Pensnett Trading Estate, Kingswinford,  
West Midlands, DY6 7US United Kingdom

## Applied Technology & Building Services Export

Tel **+44 (0) 1489 566500**  
Fax **+44 (0) 1489 566555**  
Email **at@eltafans.co.uk / export@eltafans.co.uk**

17 Barnes Wallis Road, Segensworth East Industrial Estate,  
Fareham, Hampshire, PO15 5ST United Kingdom

**eltafans.com**

SJMF-07-2022 Issue C



BS EN ISO 9001:2015 FM 556465

