

4

3

2

1

D

D

C

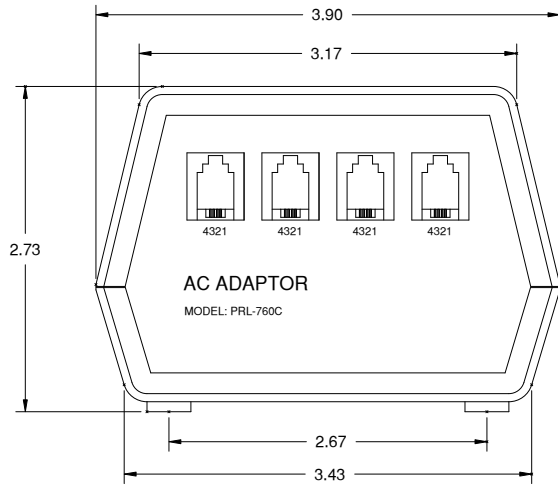
C

B

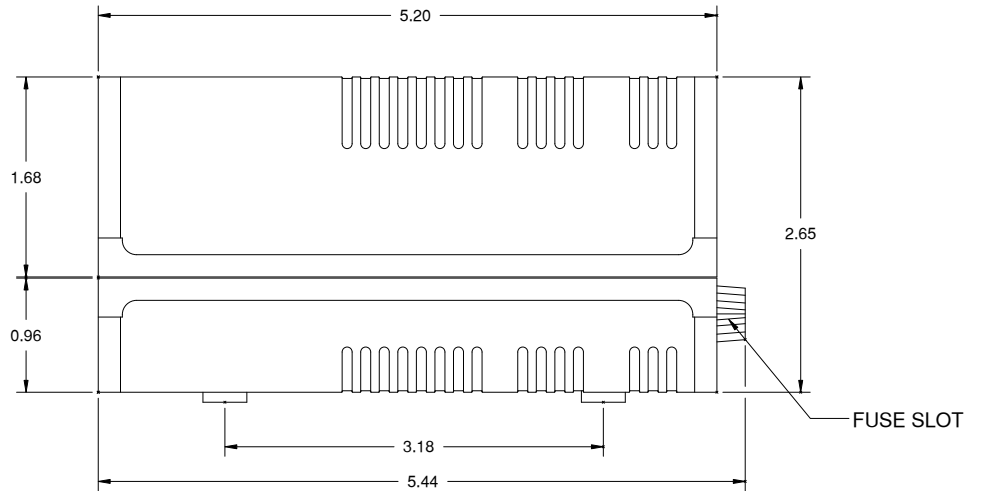
B

A

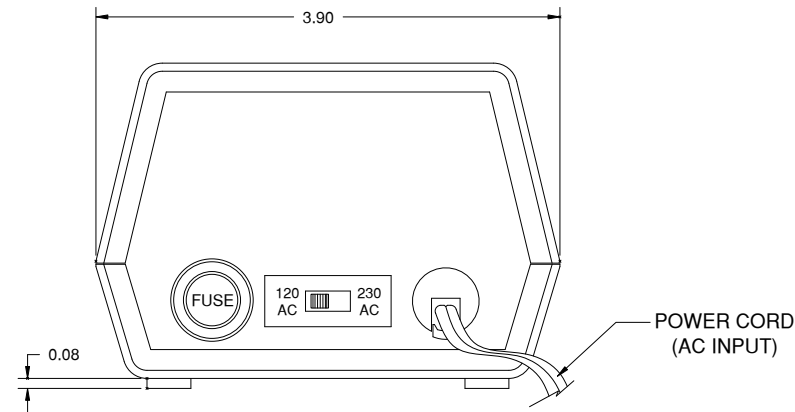
A



FRONT VIEW




SIDE VIEW



BACK VIEW

NOTES: UNLESS OTHERWISE SPECIFIED.

1. ALL DIMENSIONS ARE IN INCHES AND FOR REFERENCE ONLY.

UNLESS OTHERWISE SPECIFIED DIMENSIONS ARE IN INCHES. TOLERANCES ARE DECIMALS ANGLES XXX.01 ±1 XXX.005				1234 FRANCISCO ST. TORRANCE, CA 90502	
DO NOT SCALE DRAWING		TITLE AC ADAPTOR_PRL-760C GENERAL DIMENSIONS			
APPROVALS	DATE	SIZE	CAGE CODE	DWG NO.	REV.
DRAWN K. NGUYEN	03-14-06	B		39001175	X0
CHECKED K. NG	03-15-06	SCALE	1:1	SHEET	1 OF 1

4

3

2

1

FILE NAME:
39001175-X0