

4

3

2

1

D

D

C

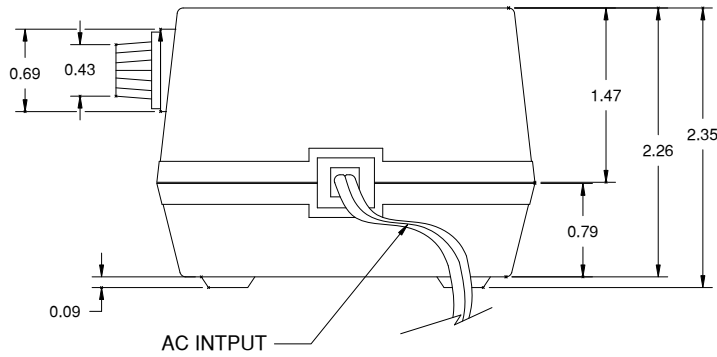
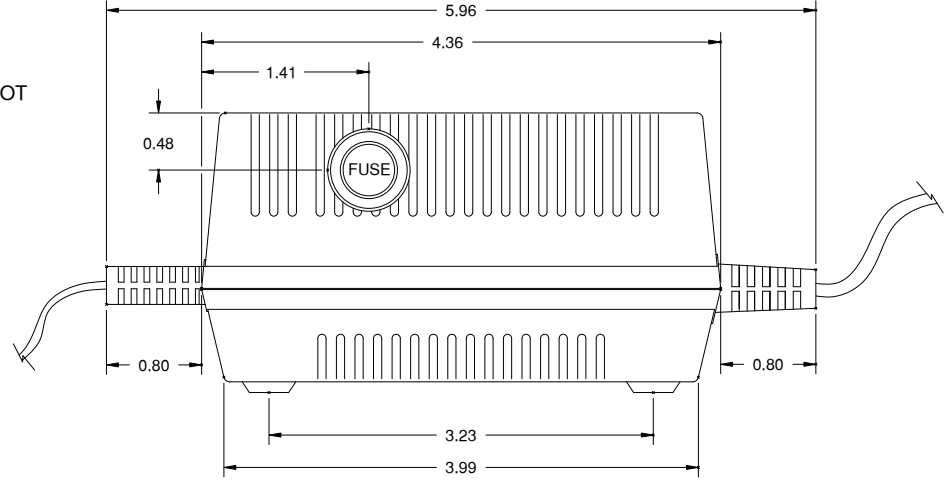
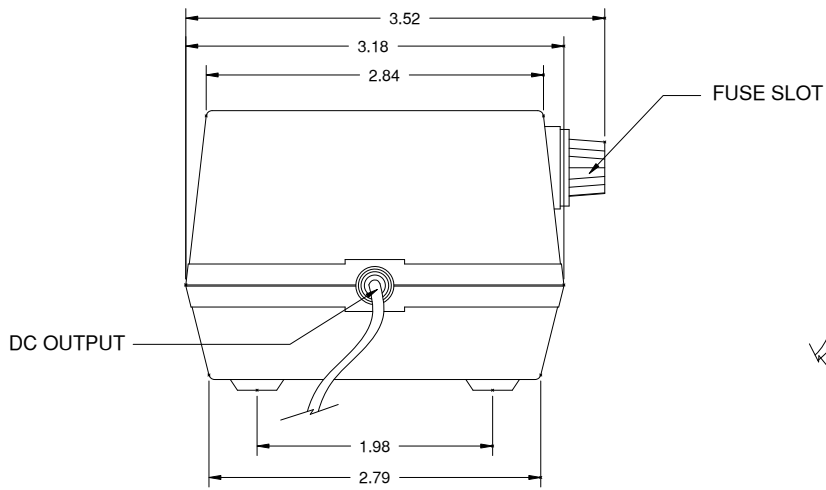
C

B

B

A

A




NOTES: UNLESS OTHERWISE SPECIFIED.

1. ALL DIMENSIONS ARE IN INCHES AND FOR REFERENCE ONLY.

UNLESS OTHERWISE SPECIFIED  
DIMENSIONS ARE IN INCHES.  
TOLERANCES ARE:  
DECIMALS ANGLES  
.XX6-01 ±1;  
.XXX6 ±0.05

DO NOT SCALE DRAWING

APPROVALS	DATE
DRAWN K. NGUYEN	03-14-06
CHECKED K. NG	03-15-06
ENGR	

		1234 FRANCISCO ST. TORRANCE, CA 90502	
		TITLE <b>AC ADAPTOR _ PRL-760B</b> GENERAL DIMENSIONS	
SIZE <b>B</b>	CAGE CODE	DWG NO. 39001180	REV. X0
SCALE 1:1	SHEET 1 OF 1		

4

3

2

1

FILE NAME:  
39001180-X0