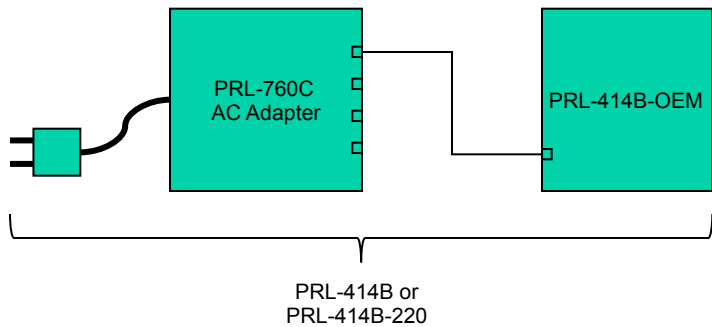


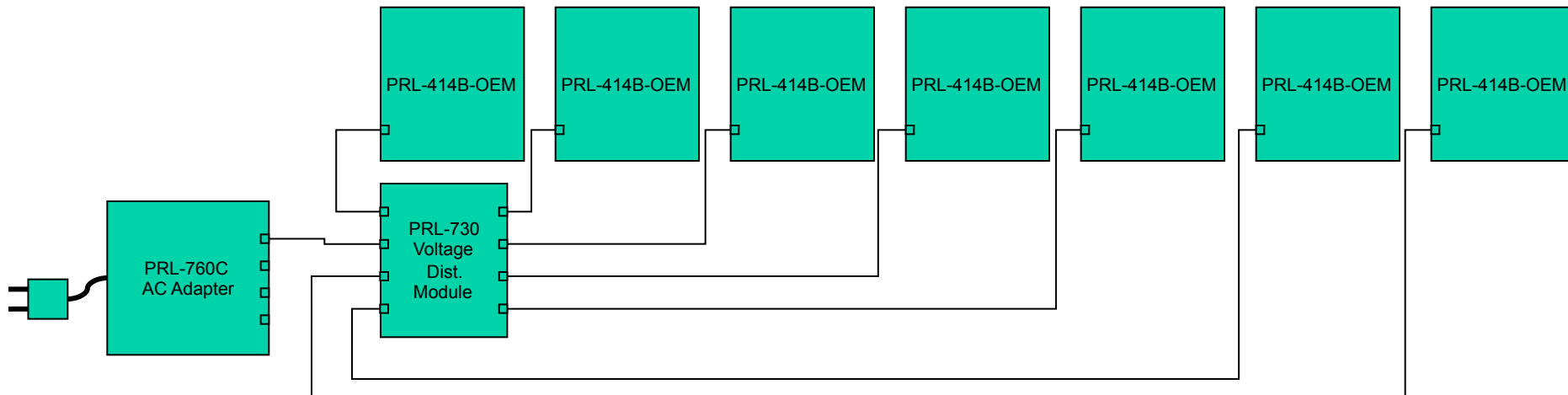
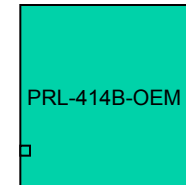
Pulse Research Lab Power Supply Solutions



Every PRL powered module has a modular DC input jack and comes standard with a switchable 120/220 AC/DC adapter:

- Equivalent to PRL-760C-xxx, supplying +8.5 VDC (1.8 A), -8.5 VDC (1.8 A) and 17 VDC (150 mA).
- Includes only one output cable, equivalent to 88000102-4
- The PRL-760C may be switched to 120 VAC or 220 VAC input at any time;
- The designation of PRL-414B or PRL-414B-220 indicates how the switch on the bundled adapter was set when it left the factory.
- Power supplies may be ordered separately as PRL-760C-120 or PRL-760C-220 with the switch set appropriately before shipment.

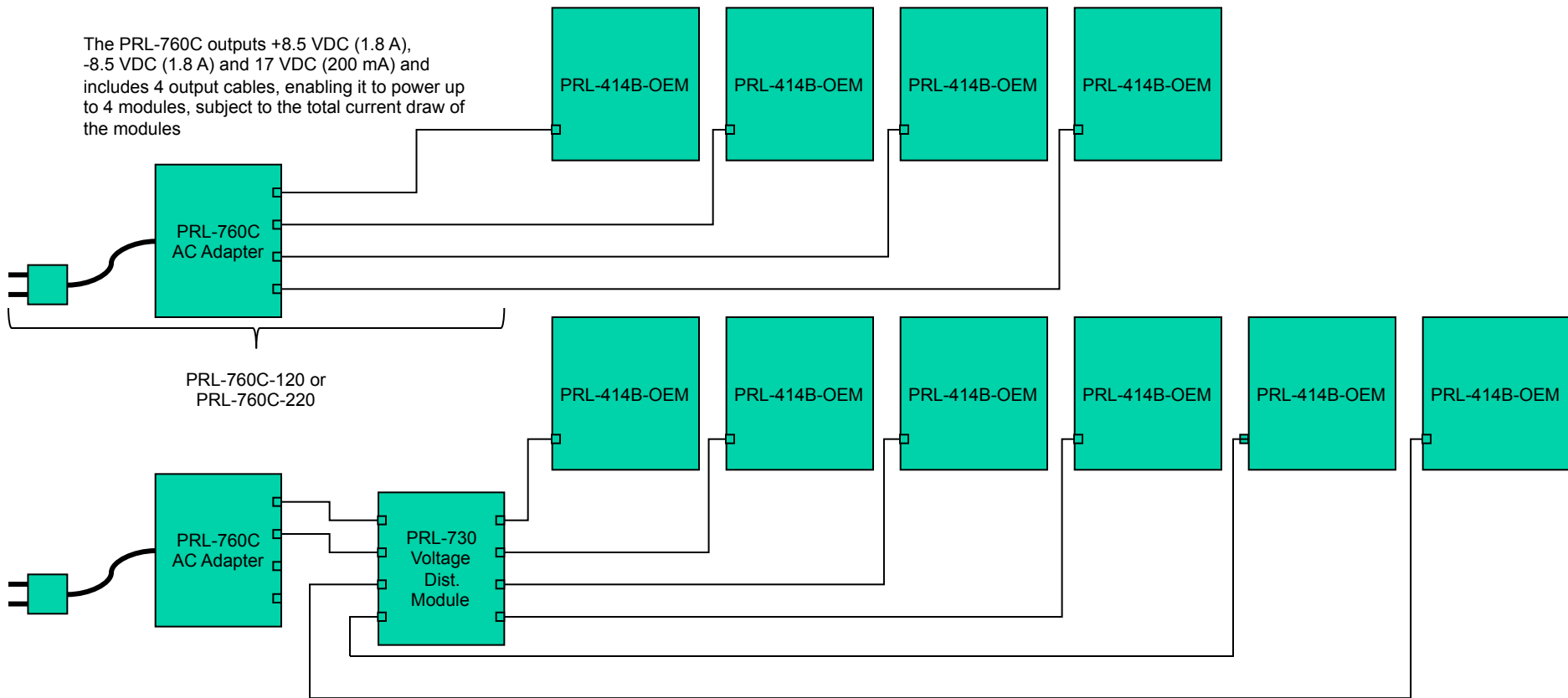
To order units without the bundled adapter, append "-OEM" to the part number.



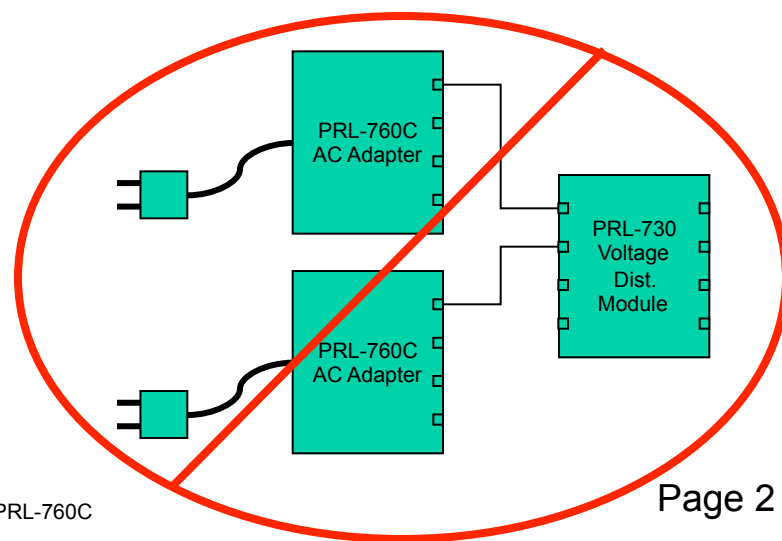
Cable part number 88000102-4, rated 1.4 A each rail

The PRL-730 Voltage Distribution Module has 8 modular DC jacks. All jacks are bussed together, so any jack may be used for input, and the remaining jacks may be used for output, subject to the current draw of all attached modules. The DC jacks and cables are rated up to 1.4 A per rail.

The PRL-760C outputs +8.5 VDC (1.8 A), -8.5 VDC (1.8 A) and 17 VDC (200 mA) and includes 4 output cables, enabling it to power up to 4 modules, subject to the total current draw of the modules

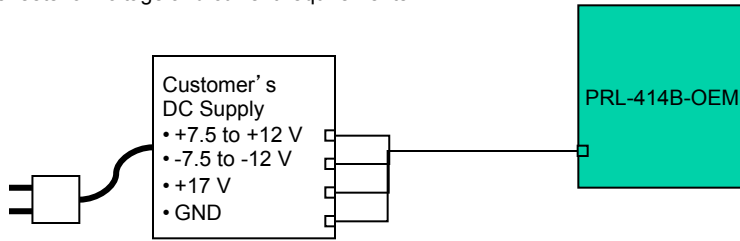


The PRL-760C may be used in conjunction with the PRL-730 to power more than 4 modules, subject to total current requirements of the modules. A second connection may be made between a single PRL-760C and the PRL-730 to supply more than the 1.4 A rated capacity of a single cable.



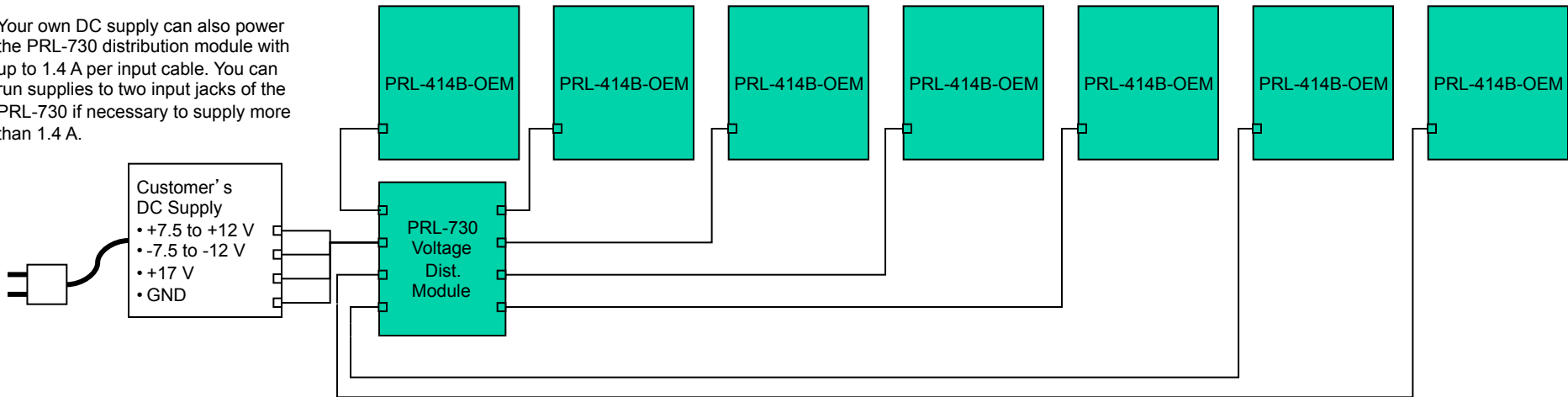
Do not connect more than one PRL-760C power supply to the PRL-730

Your own DC supply may be used to power PRL modules. Acceptable DC voltages are $\pm 7.5 - 12.0$ VDC and + 17 V. Not all voltages are required for all products, and many products require only a single voltage. See individual data sheets for voltage and current requirements.

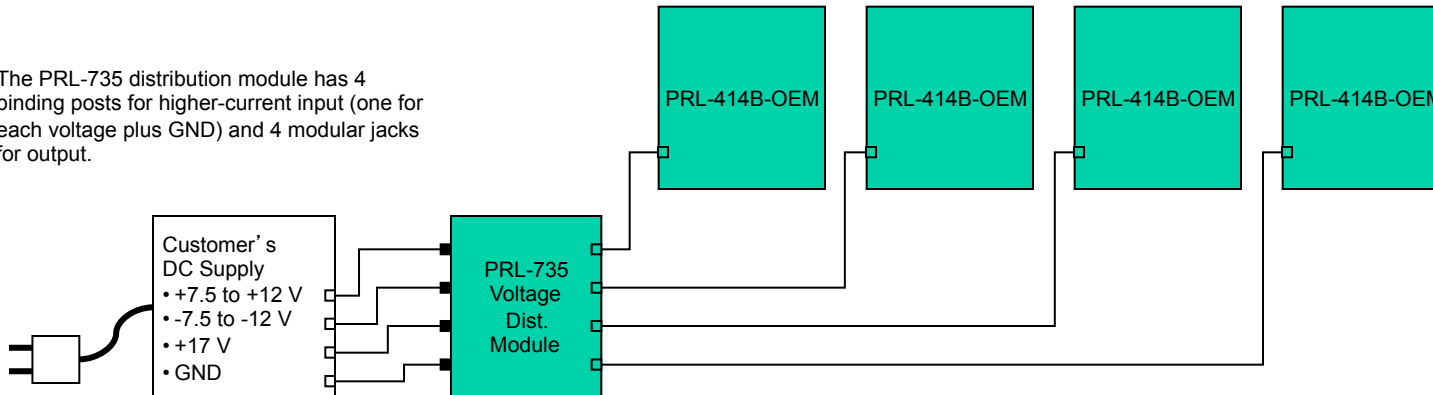


Cable part number 88000103-4 with modular jack and pigtail leads, rated 1.4 A each rail

Your own DC supply can also power the PRL-730 distribution module with up to 1.4 A per input cable. You can run supplies to two input jacks of the PRL-730 if necessary to supply more than 1.4 A.



The PRL-735 distribution module has 4 binding posts for higher-current input (one for each voltage plus GND) and 4 modular jacks for output.



PRL Power Supply Cabling

4-Position, 4-Conductor (4P4C) Modular Plug, 26 AWG Wiring or Larger

