

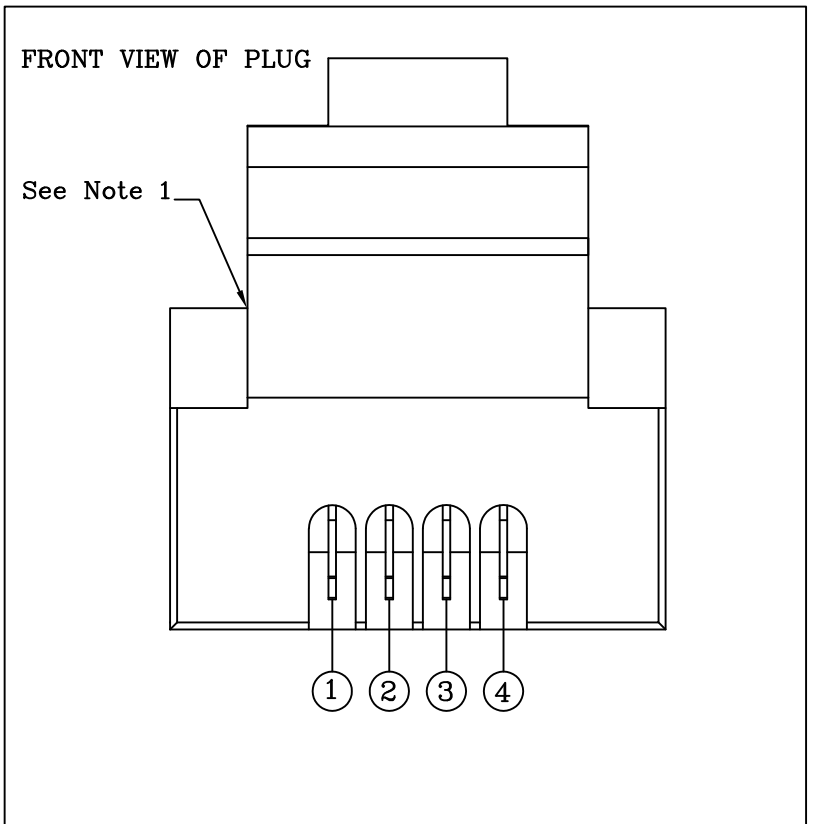
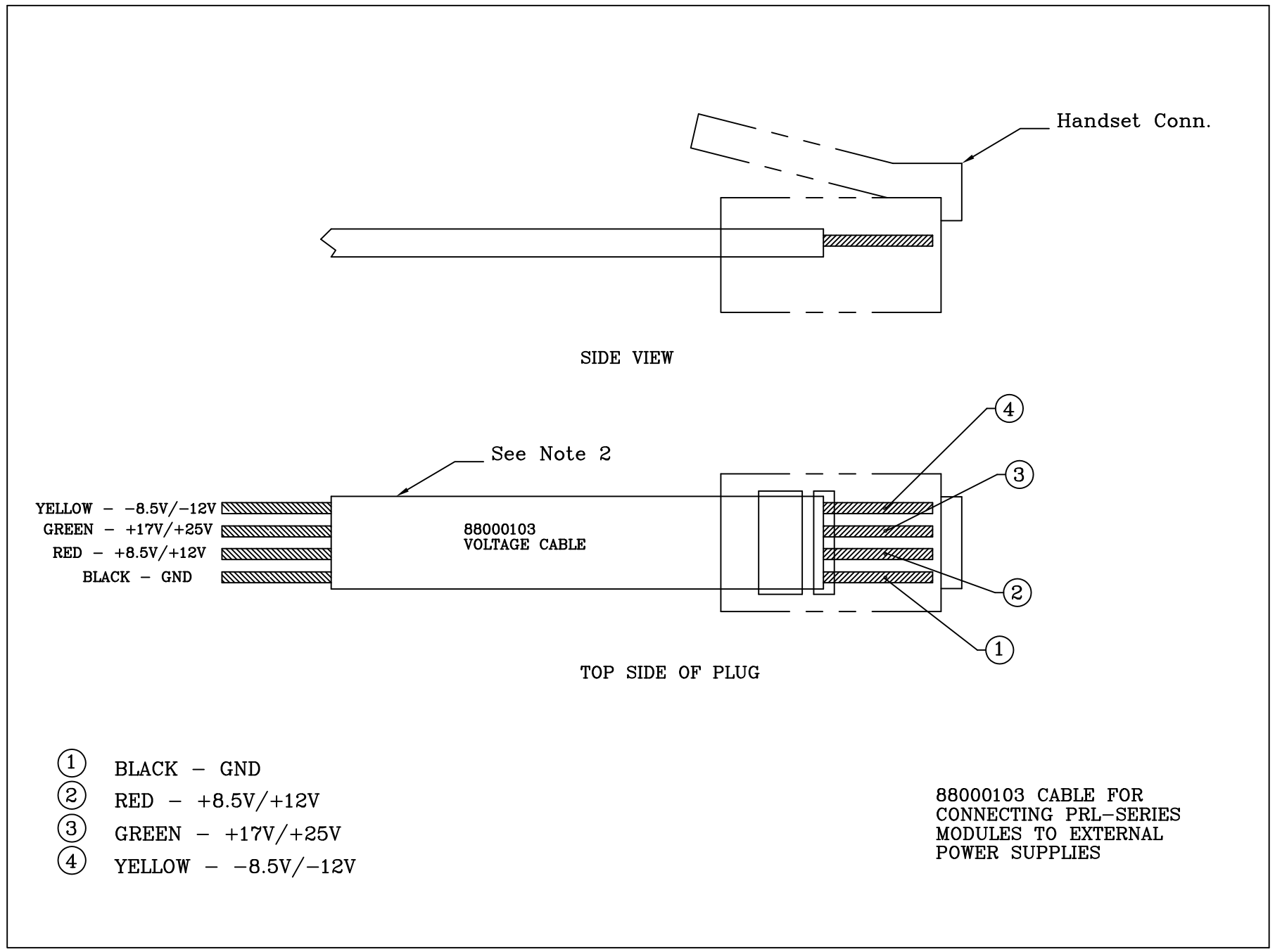
4

3

2

1

REVISION				
REV.	ZONE	DESCRIPTION	DATE	APR.'D
X0		INITIAL RELEASE	12-07-98	
X1		FORMAT CHANGED, NEW VIEW ADDED & NOTATION OF GREEN COND. WAS CHANGED	02-27-08	
X2		LAGEND CHANGED	07-31-08	



- Notes:
1. Handset Connector (4X4), KOBICONN PN:154-UL6164 or Equivalent
 2. Flat Modular Cable-26 AWG - 4 Conductor, Alpha Wire PN:1604 or Equivalent

UNLESS OTHERWISE SPECIFIED DIMENSIONS ARE IN INCHES. TOLERANCES ARE DECIMALS ANGLES .XX±.01 ±1° .XXX±.005 DO NOT SCALE DRAWING	CONTRACT NO.		Pulse Instruments 1234 FRANCISCO ST, TORRANCE, CA 90502	
	APPROVALS			
	DRAWN R. PASCUAL		11-15-07	TITLE MOD. OUTPUT CABLE LEADS, 4ft
	CHECKED R. P		07-31-08	SIZE CAGE CODE DWG NO. 88000103 REV. X2
FINISH		ENGR	SCALE NONE	SHEET 1 OF 1
DESIGN ACTIVITY				
SIMILAR TO	SPECIAL MARKING SYS			

4

3

2

1