

These quick steps will guide you throughout the assembly of all of floor unit versions of the Plié.

Please make sure you have all the parts needed before starting the assembly of your unit.

Tools and parts Included:



x 8



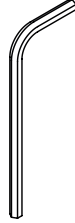
x 12



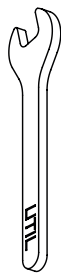
x 12



x 4



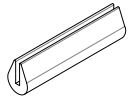
x 1  
Hex Key



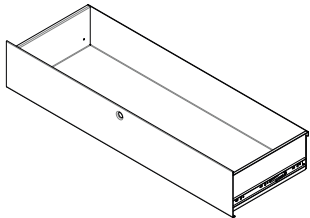
x 1  
Open End  
Wrench



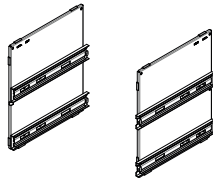
x 4  
Longer  
Screws



x 8  
Rubber Edge  
Guards



x 2  
Drawers with  
mechanical slides  
or  
x1 Single Drawer

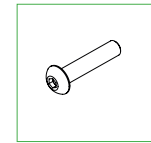
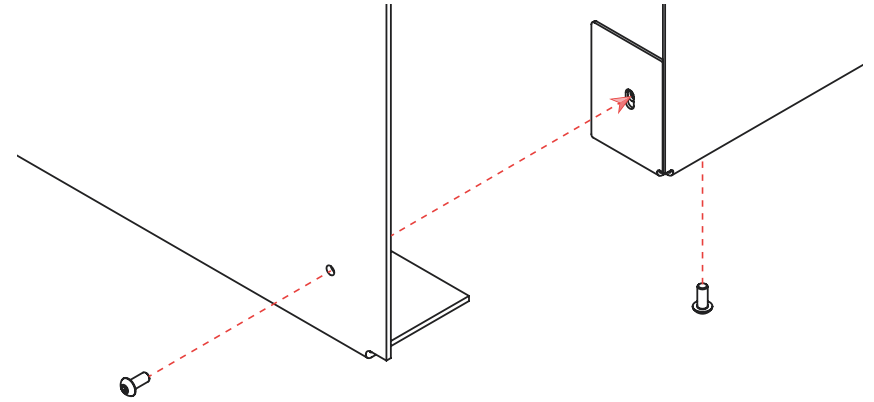


x 2  
Side Panels,  
Left and Right.

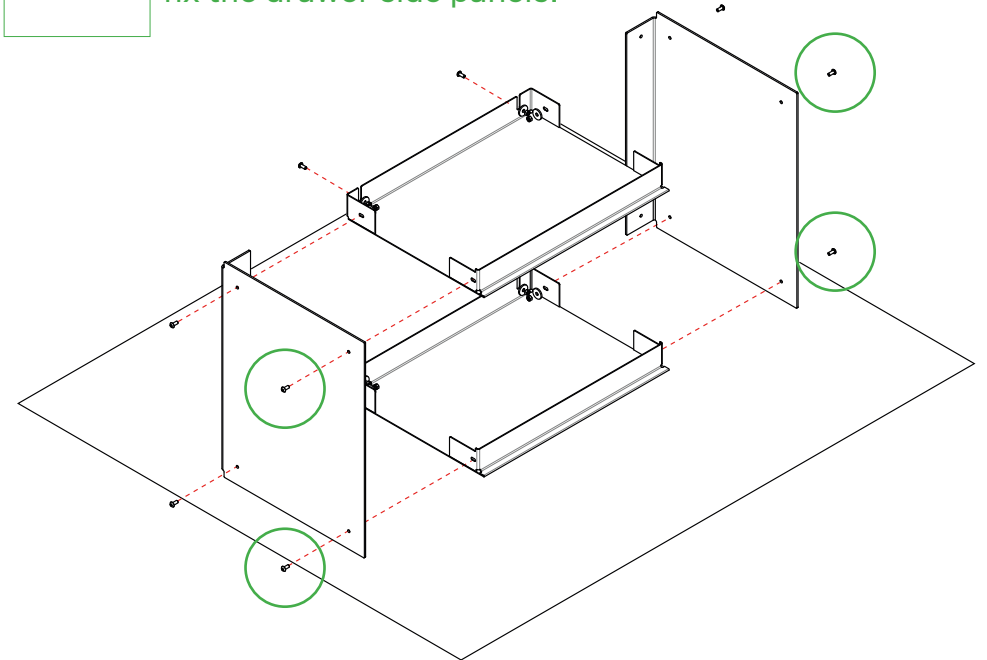
Note: The single Drawer Side Panel has only one pair of drawer slides. While the double Drawer Side Panel has 2 pairs of drawer slides.

Need Help?  
Message us on WhatsApp  
+351 912 366 997

**1** With the parts laying on a soft surface start by assembling the top shelf and the top screw. This way the parts will hold while you attach the other screws.

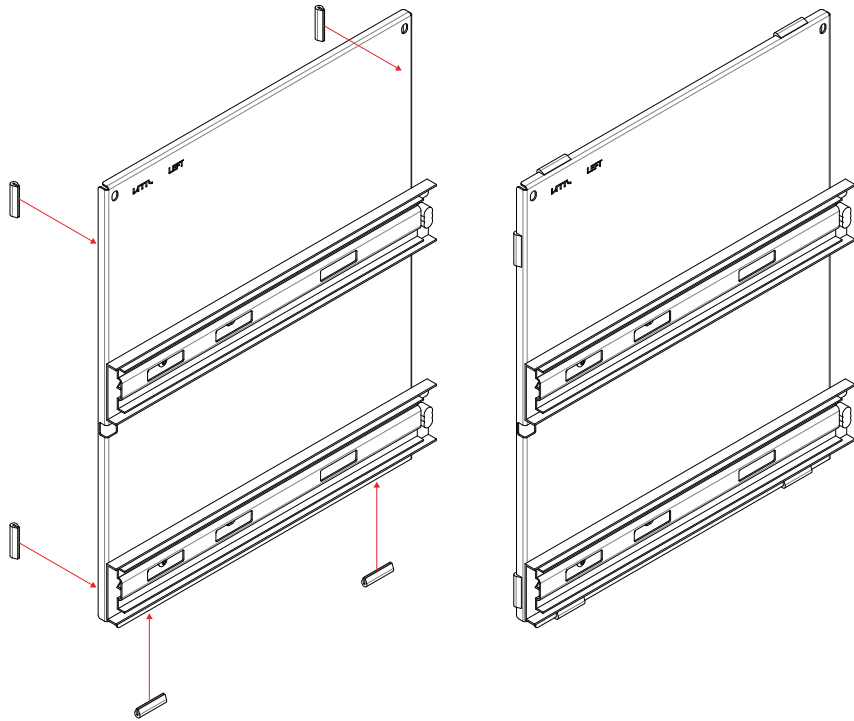


Place the 4 longer screws provided on the sides of the top shelf. They will be later used to fix the drawer side panels.

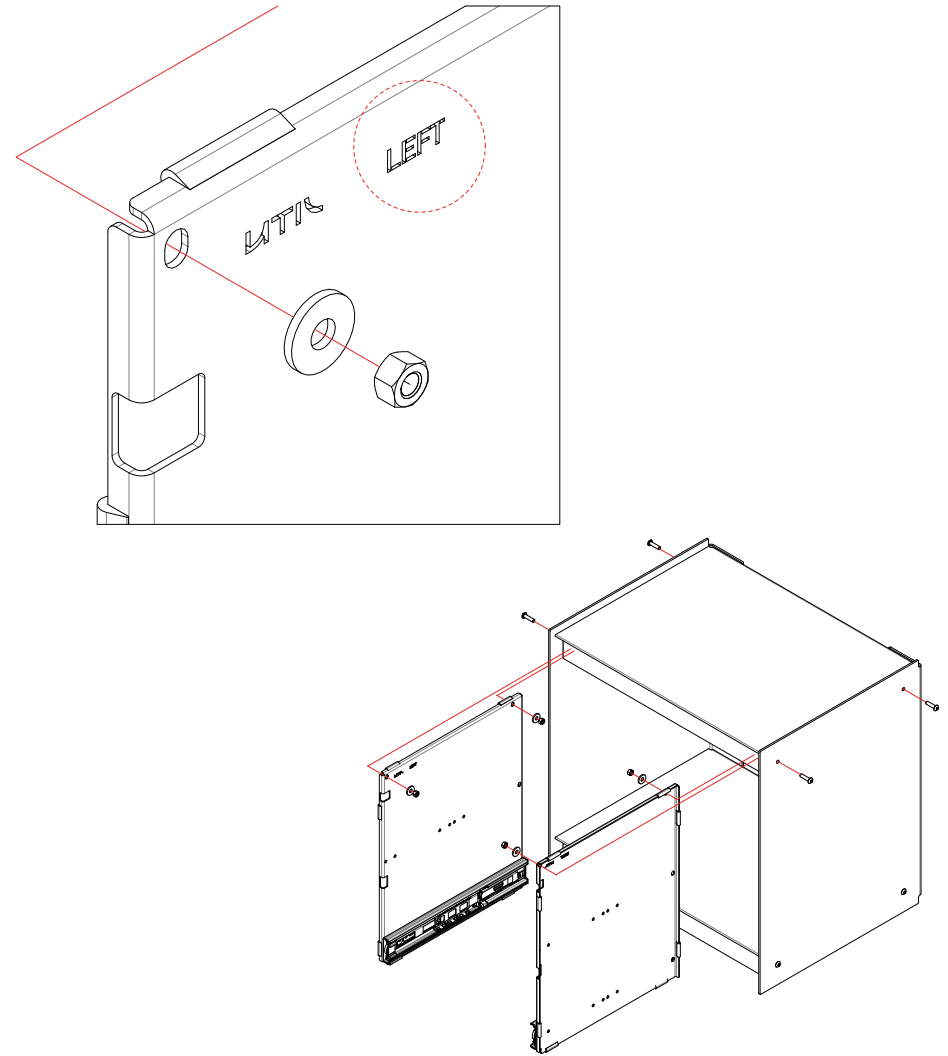


We recommend that you assemble your Plié with its back laying on a soft surface such as a carpet.

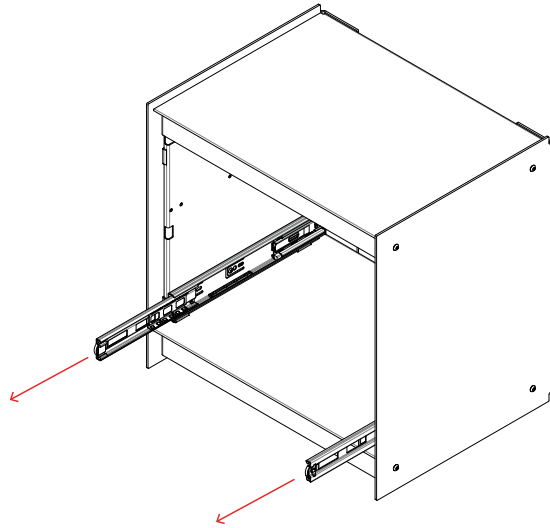
**2** Place the rubber edge guards on both side panels before assembling them to your shelving unit.



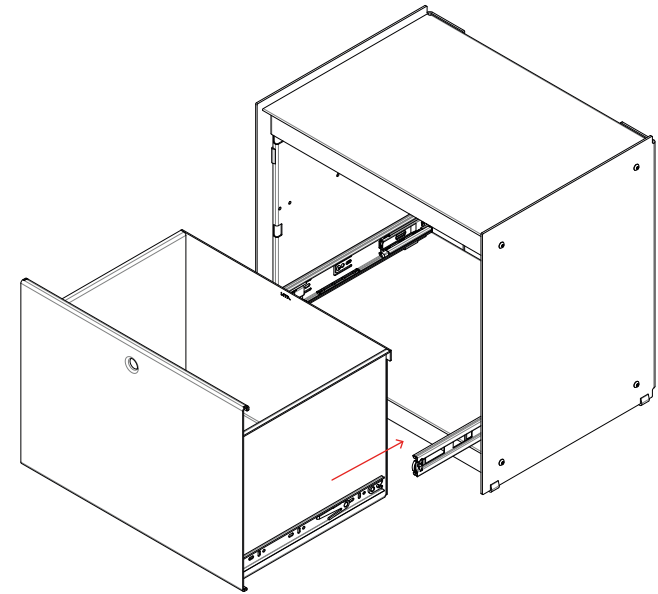
**3** Make sure you are using the top 4 screws on the top shelf to fix the drawer sidepanels. Place both left and right side panels inside of the shelving unit as shown below.



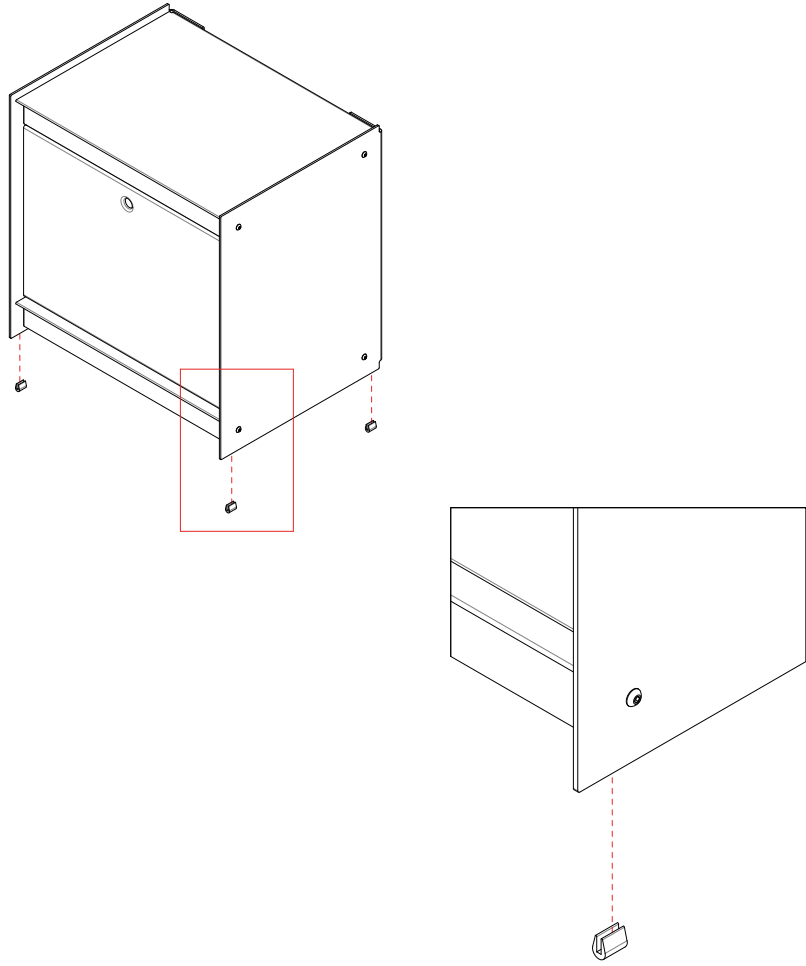
**4** Pull the mechanical slides outside to help you place of the drawers.



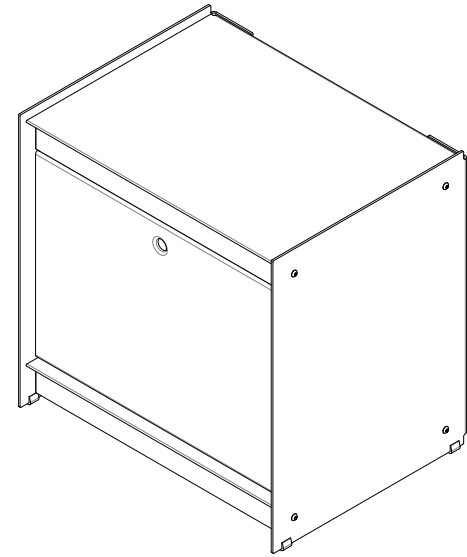
**5** Slide in the drawers into the mechanical slides.



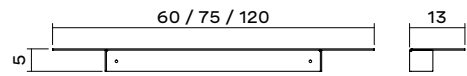
**6** Last step is to slide in the four rubber feet on the bottom part of the Plié.



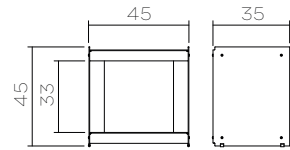
**7** That's it!



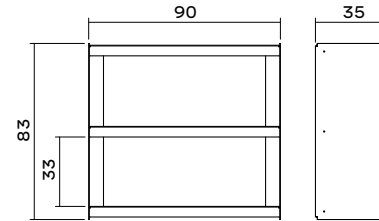
# The Plié family



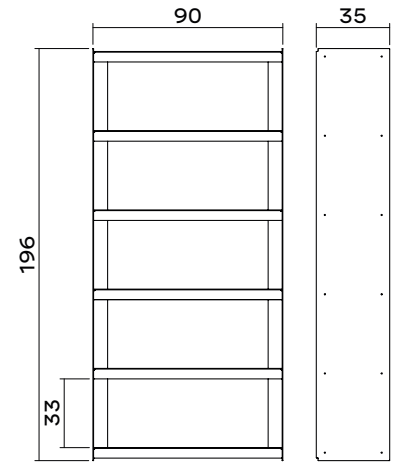
Single Shelf



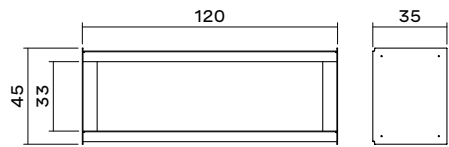
Plié Side Table



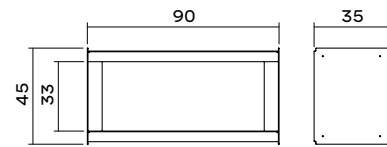
Plié Sideboard 90 cm



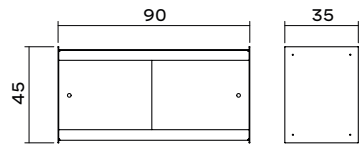
Plié Bookshelf 90 cm



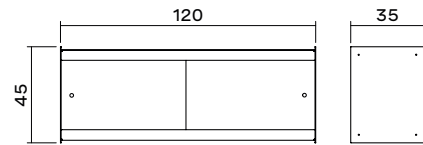
Plié Floor Unit 120 cm



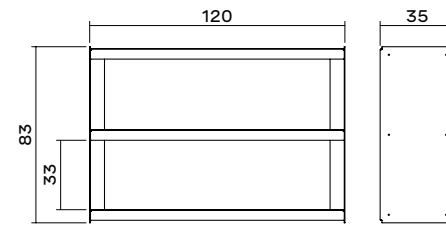
Plié Floor Unit 90 cm



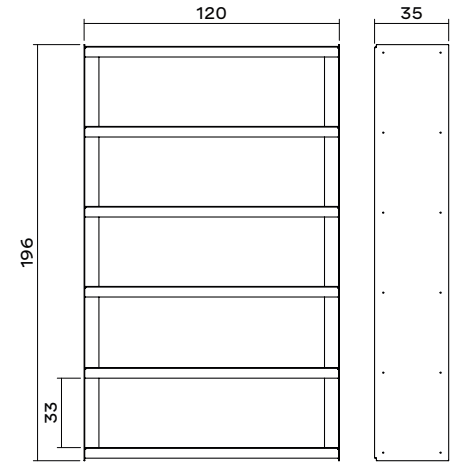
Plié Wall Mount 90 cm



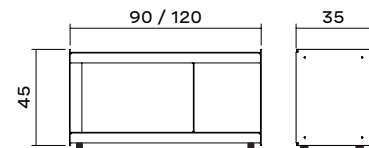
Plié Wall Mount 120 cm



Plié Sideboard 120 cm



Plié Bookshelf 120 cm



Plié Media Unit

## **UTIL**

Founded in 2017 and led by Portuguese designer Manuel Amaral Netto and business strategist Tomás Carvalhas, UTIL is a young Lisbon based design brand with a clear focus on enduring and functional storage furniture made from high quality materials. Transcending product design, UTIL's philosophy of simplifying and focusing on the essential is inspired by people and everyday life, every piece of the formally simple and architectural influenced collection is made to last a lifetime.

## **FROM INDUSTRIAL DESIGN**

Is a collaboration between Cesare Bizzotto and Tobias Nitsche. The italo-german duo met during their masters degree in ECAL, Switzerland. Since then been developing industrial products in the fields of furniture and lighting. They are known for developing inovative and forward thinking solutions while always keeping an edge in their aesthetics. They have designed the Plié Shelving System for UTIL.

[www.fromindustrialdesign.com](http://www.fromindustrialdesign.com)

email to [shop@thisisutil.com](mailto:shop@thisisutil.com)  
shop [www.thisisutil.com](http://www.thisisutil.com)  
look at [instagram.com/this\\_is\\_util](https://www.instagram.com/this_is_util)  
like [facebook.com/thisisutil](https://www.facebook.com/thisisutil)



This is Util Lda  
Rua do Giestal 37B  
1300-275 Lisboa  
Portugal