

UTIC X JAK'

Shoe Rack by  
Jeanne Mercier

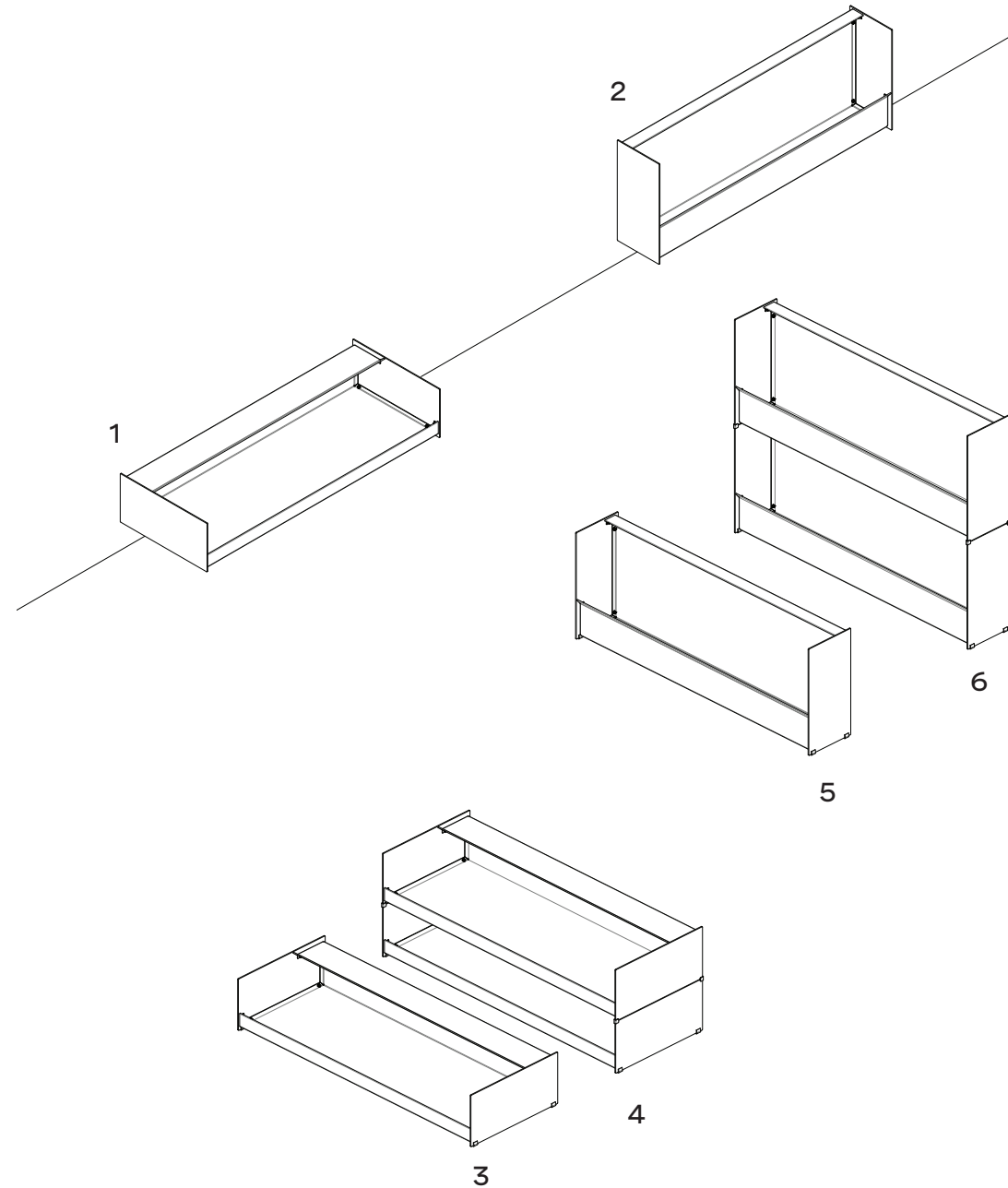


How to use it

A shoe rack. But better. This is the deceitfully simple briefing that led Util to its latest collab: the UTIL X JAK Shoe Rack, a storage solution made in partnership with (also Portuguese) minimalist shoe company that helps you keep your rotation shoes on display.

Designed by Jeanne Mercier, the starting point for the Shoe Rack was to build an object that could easily blend in urban flats with space restriction; something discreet enough, but also worthy of becoming a highlight in any space. The result is a stackable shoe rack that can be used as self-standing rack or wall-mounted, each in two different positions.

By expanding its functionality, the Shoe Rack transformed from furniture born to be hidden away, into an object that can easily become the bold highlight of any space – or a subtle spotlight for prized shoes. The UTIL X JAK Shoe Rack is available in three different colors and a brushed aluminum version.

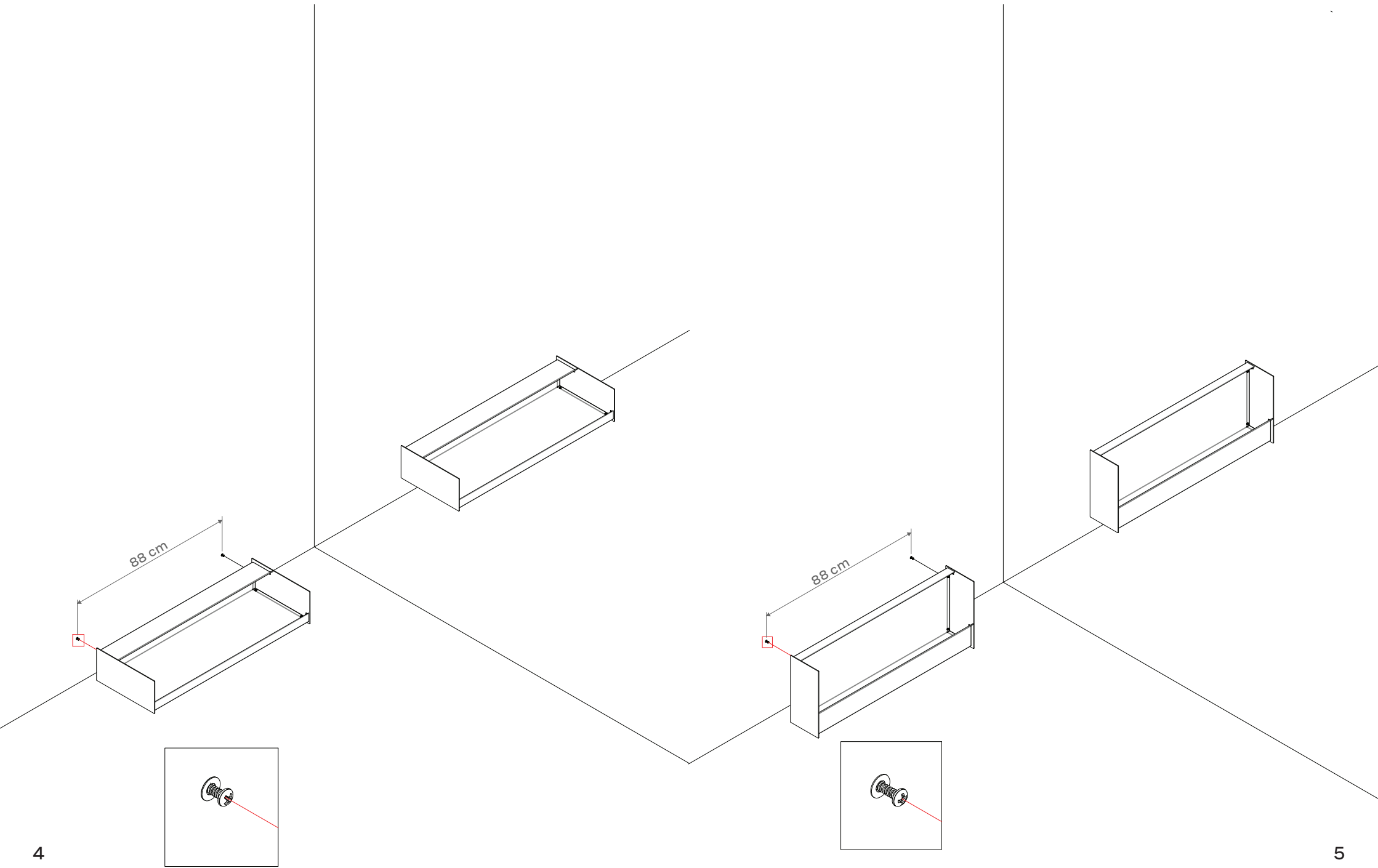


### Possible Uses

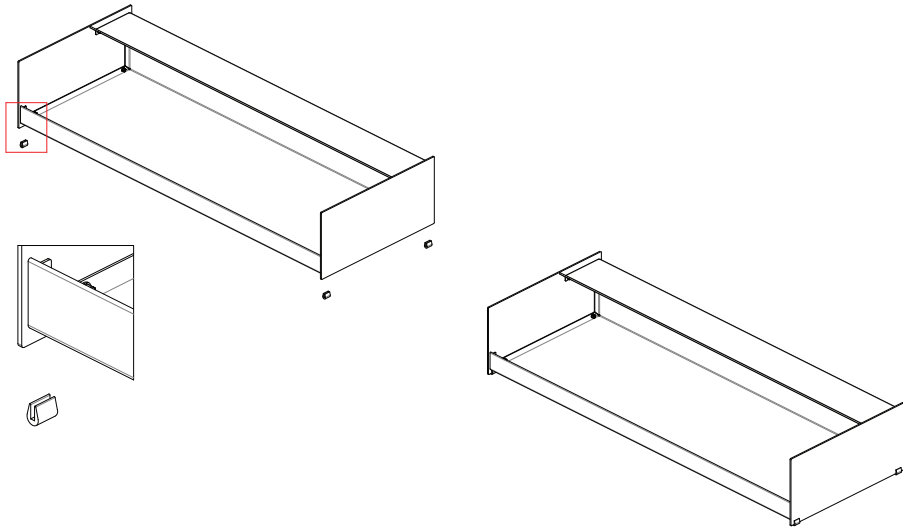
- 1 - Wall mounted layed down
- 2 - Wall mounted upright
- 3 - Floor layed down position
- 4 - Stacked layed down
- 5 - Floor upright position
- 6 - Stacked upright

# 1 Wall mounted layed down position

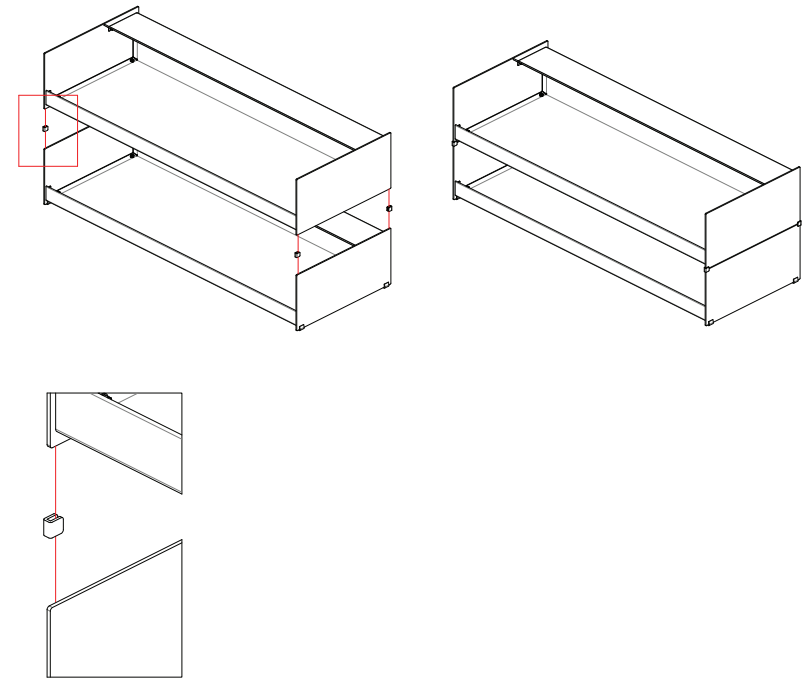
# 2 Wall mounted upright position.



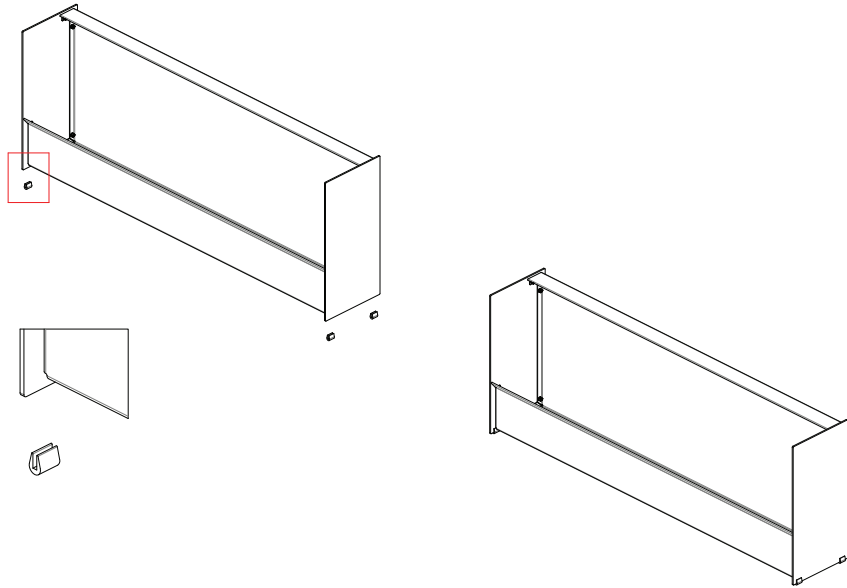
### 3 Floor layed down position.



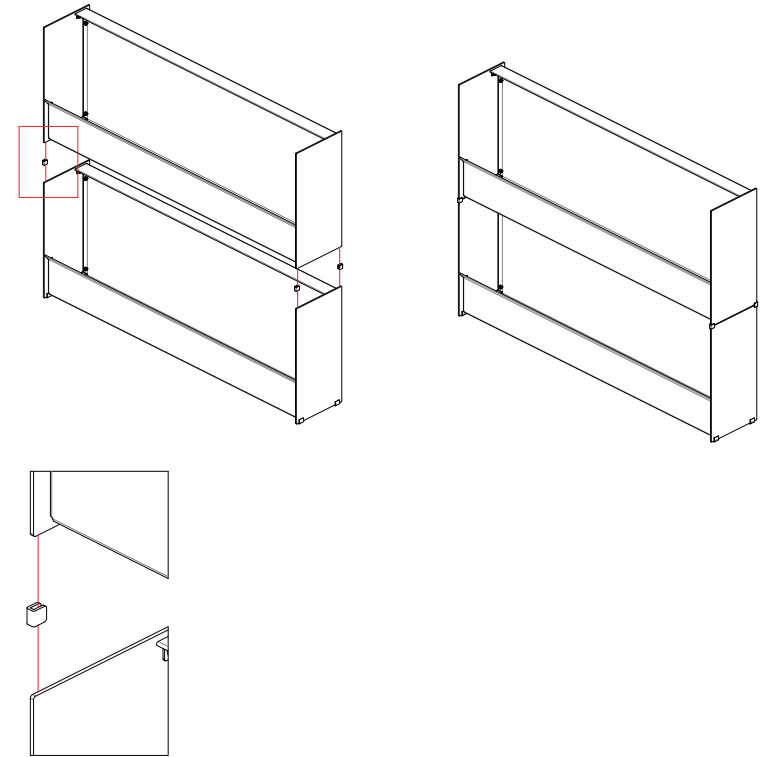
### 4 Stacked layed down position.



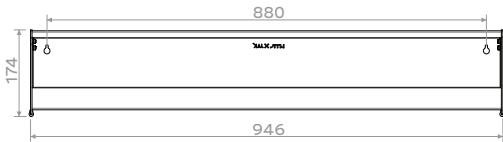
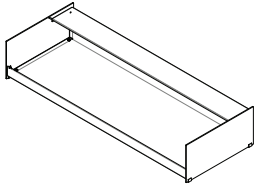
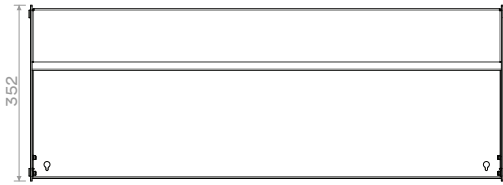
# 5 Floor upright position.



# 6 Stacked upright position.



Product Dimensions



## UTIL

Founded in 2017 and led by Portuguese designer Manuel Amaral Netto and business strategist Tomás Carvalhas, UTIL is a young Lisbon based design brand with a clear focus on enduring and functional storage furniture made from high quality materials. Transcending product design, UTIL's philosophy of simplifying and focusing on the essential is inspired by people and everyday life, every piece of the formally simple and architectural influenced collection is made to last a lifetime.

### **Jeanne Mercier**

Is a product designer based in Paris, born in 1998. She graduated from ECAL/University of Art and Design in Switzerland in 2019 with a degree in Product Design, where she developed a keen eye for detail and an interest in shaping materials. After graduation, Jeanne began working as a project assistant for Julie Richoz and Rodolphe Parente. In addition to her work in industrial design, Jeanne has also established herself as an independent designer.

Her creative projects span a variety of disciplines, including furniture, textiles and set design, and are characterized by their practicality and versatility. Jeanne's designs focus on meeting the needs of the user, while reflecting her sensitivity and curiosity about craft.

[www.jeanne-mercier.com](http://www.jeanne-mercier.com)

email to [shop@thisisutil.com](mailto:shop@thisisutil.com)  
shop [www.thisisutil.com](http://www.thisisutil.com)  
look at [instagram.com/this\\_is\\_util](https://www.instagram.com/this_is_util)  
like [facebook.com/thisisutil](https://www.facebook.com/thisisutil)



This is Util Lda  
Rua do Giestal 37B  
1300-275 Lisboa  
Portugal