



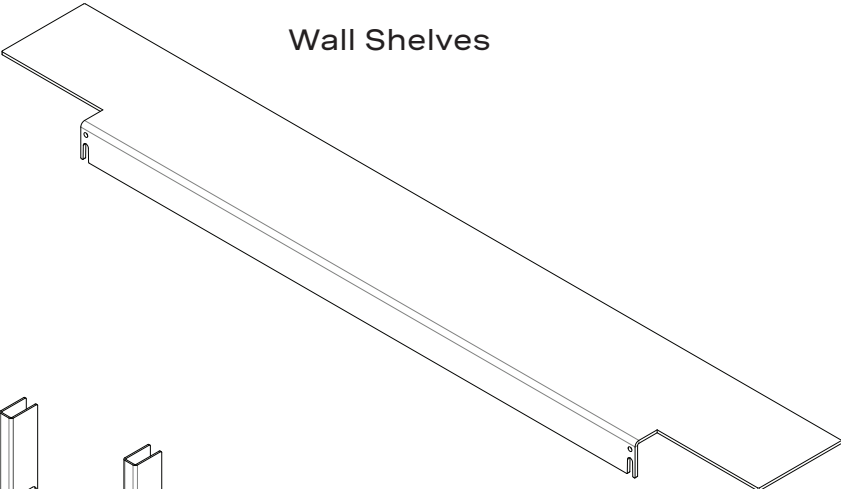
Plié Shelving System by  
FROM INDUSTRIAL DESIGN



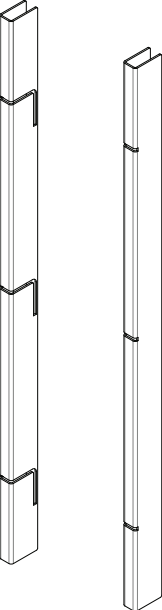
Assembly Instructions  
Wall Shelves

These quick steps will guide you throughout the assembly of all of the wall mounted versions of the Plié.

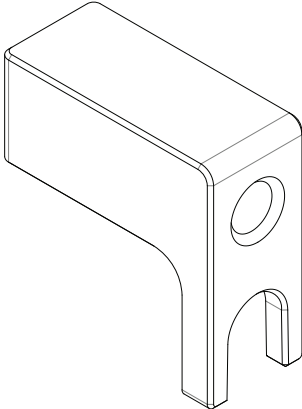
Parts Included:



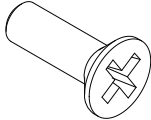
Wall Shelves



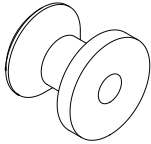
Left and Right vertical profiles



Blocks



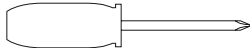
Small Screws



Wall fixtures

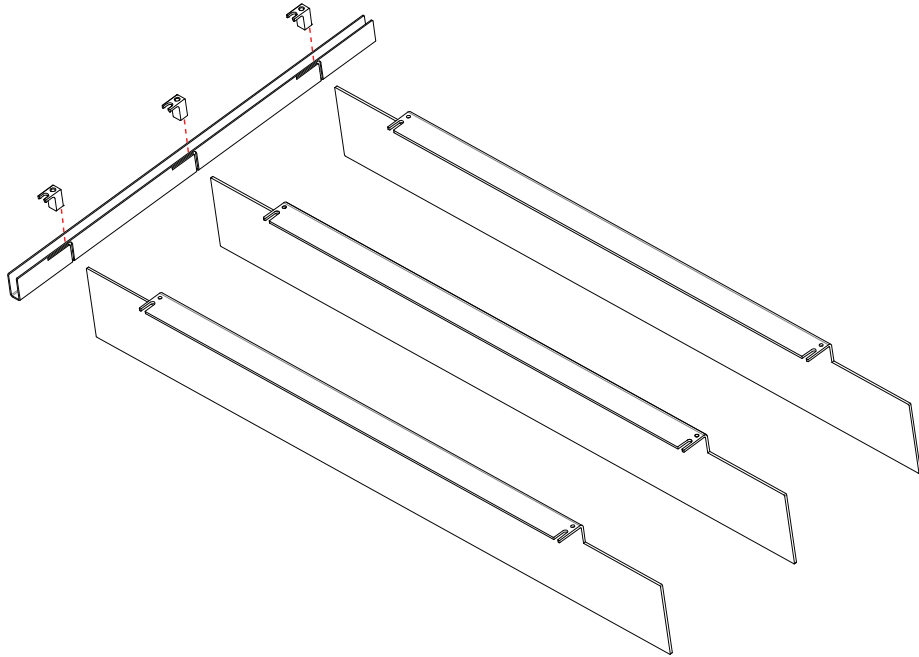
Need Help?  
**+351 912 366 997**

What you will need:

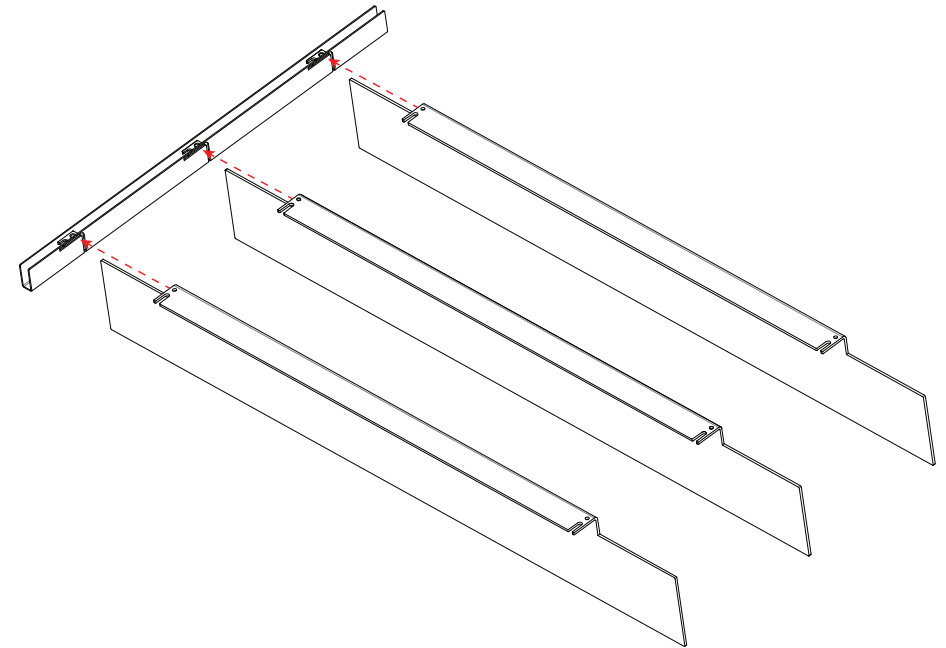


A phillips screw driver

**1** With the back of the shelves facing up, place the slot of the vertical profile on the shelf. Then place the small block inside the tube.



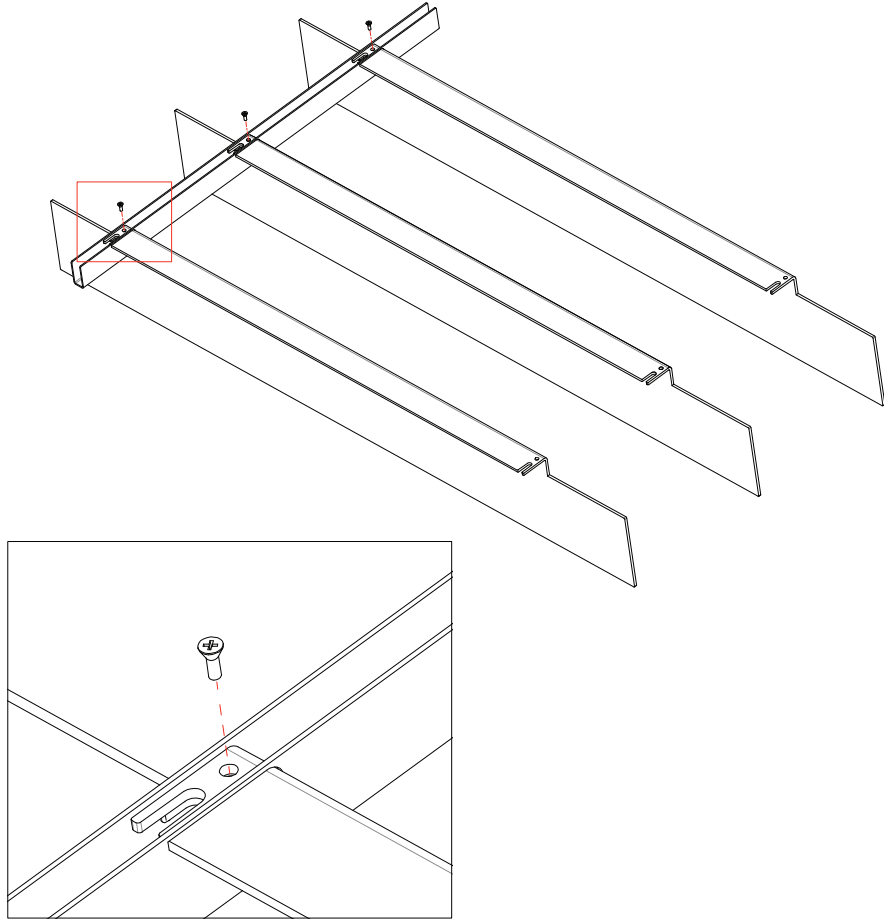
**2** With the blocks inside the vertical profile, make it slide so the side of the shelves fit inside the slot.



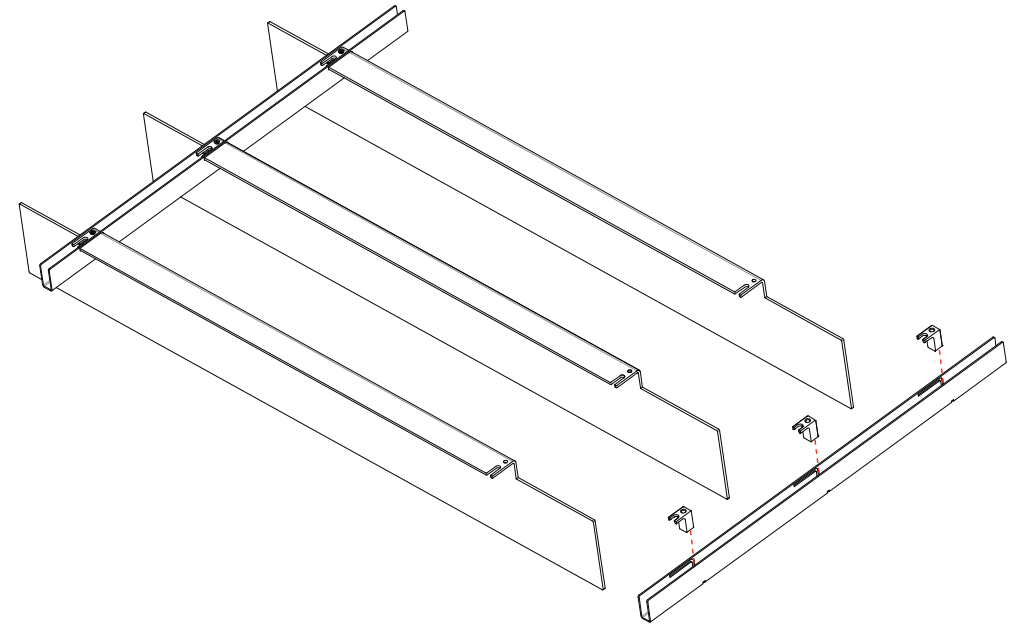
**NOTE**

Be aware that the two vertical profiles are symmetrical. They have a right and a left part.

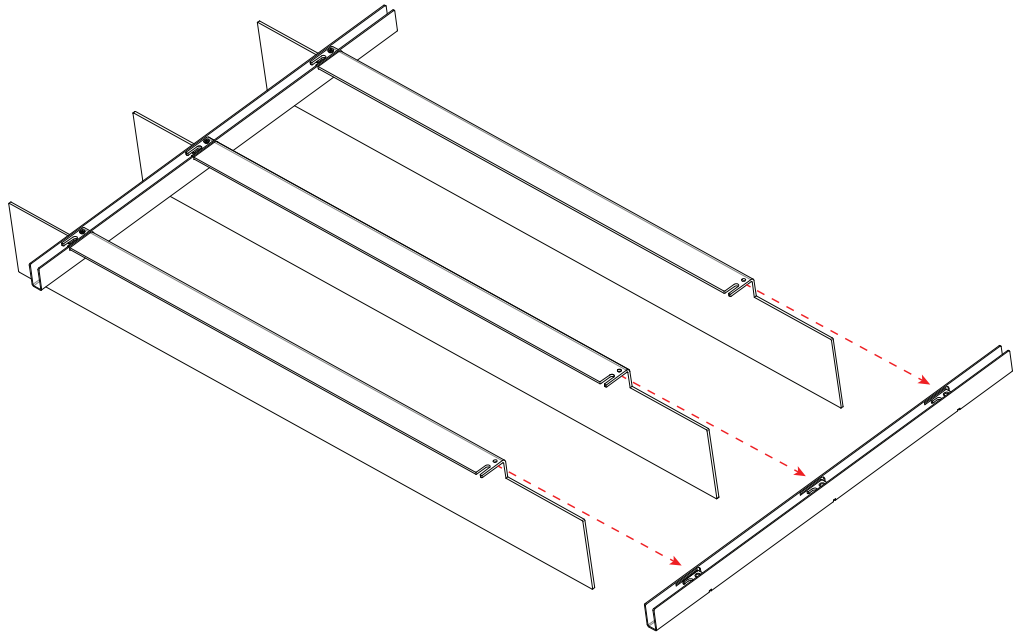
**3** Fix the shelves to the vertical profile with a small screw.



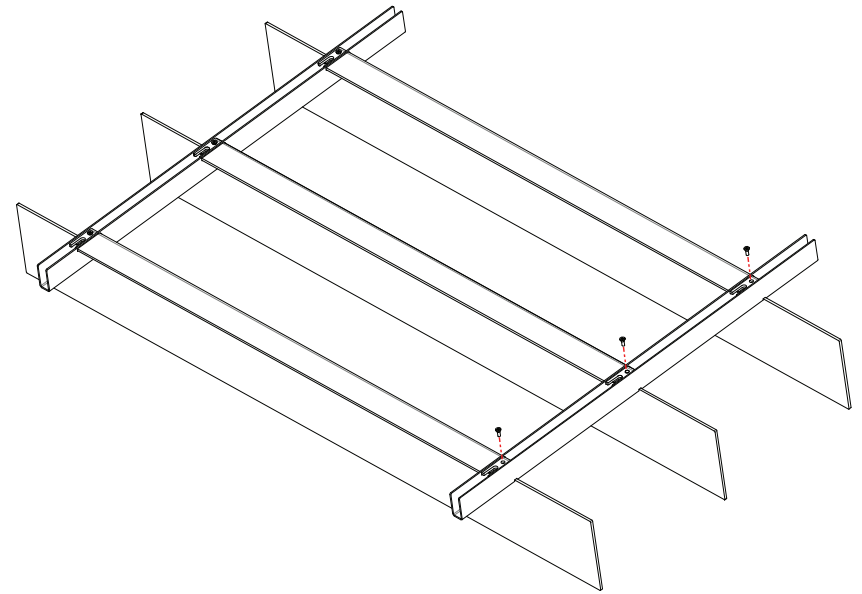
**4** Repeat the previous three steps for the opposite side.



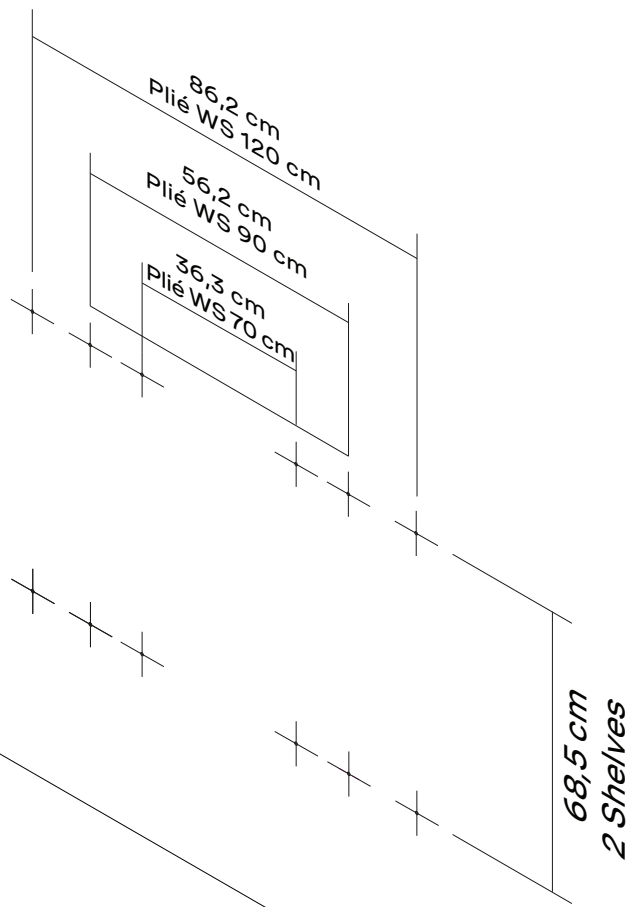
**5** Slide the opposite vertical profile to make the shelves fit in the slot.



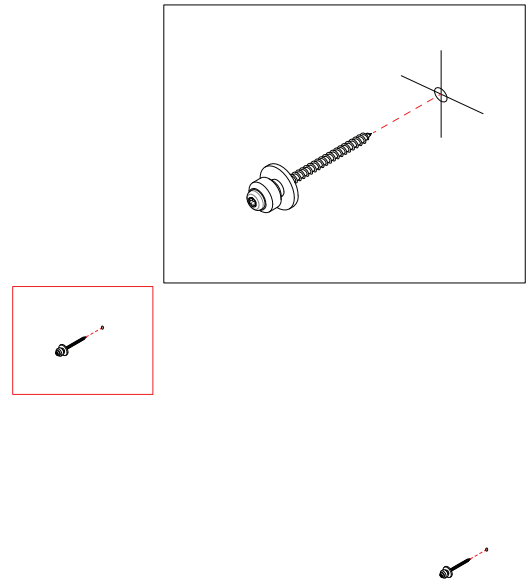
**6** Fix the block with the screw.



7 Draw the markings on the wall to place the wall plugs.



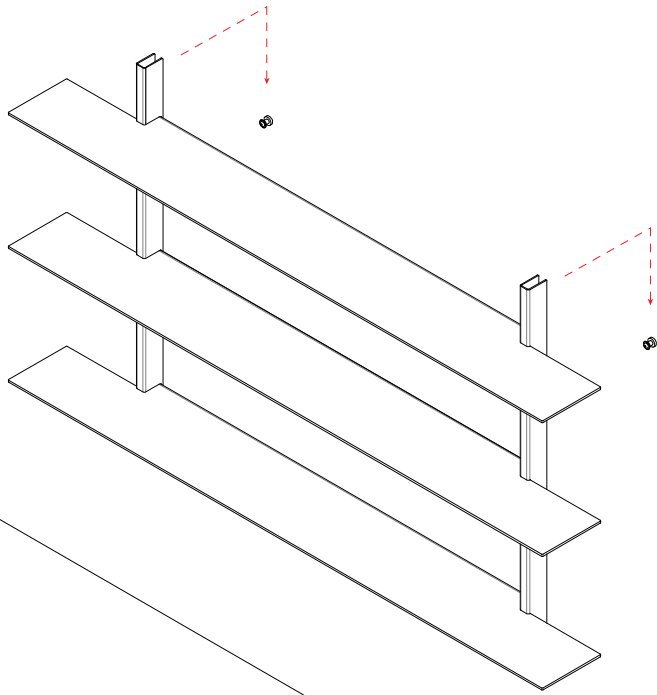
8 Fix the screw to the wall with the revolved piece.



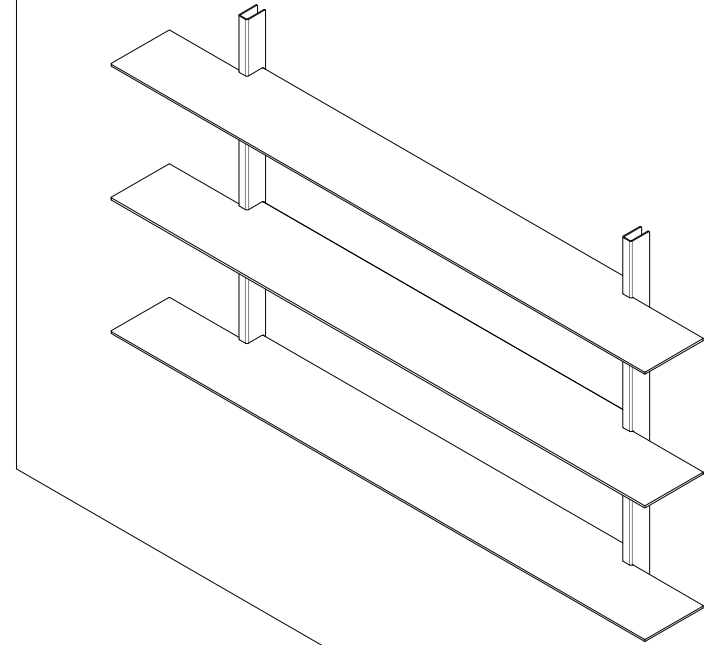
For 2 Shelves: 42,5 cm  
For 3 Shelves: 68,5 cm  
For 4 Shelves: 94,7 cm

NOTE  
We recommend placing 4 wall screws for the  
Wall Shelves 4.

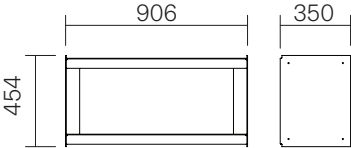
**9** Place the Wall shelves against the wall and make them slide downwards until they slide in the wall screws.



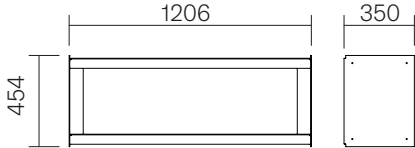
**10** And that is it!



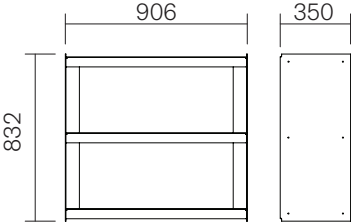
The Plié family



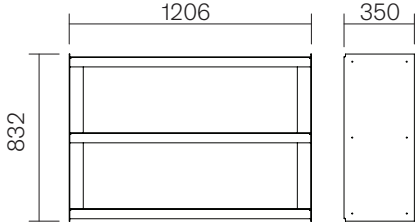
Floor unit 90



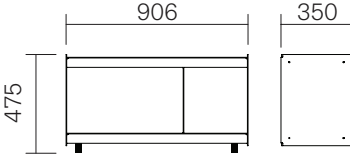
Floor unit 120



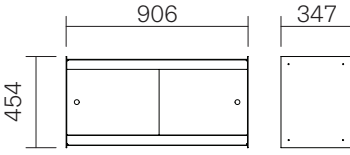
Sideboard 90



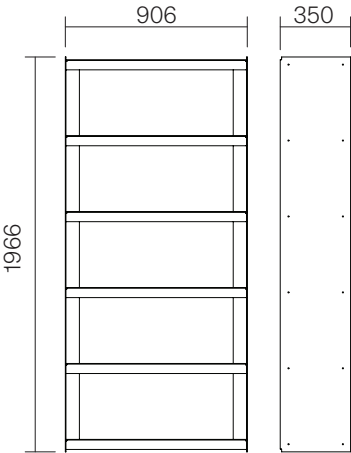
Sideboard 120



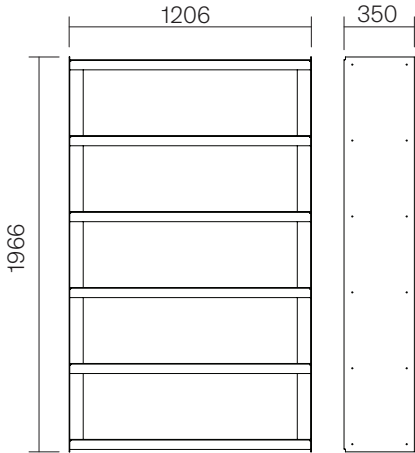
Trolley



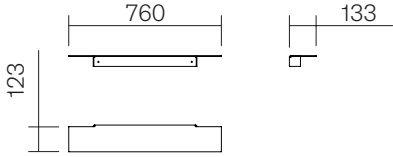
Wall mount 90



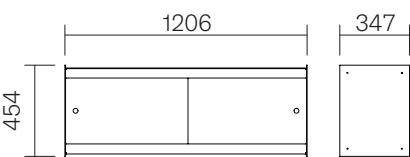
Bookshelf 90



Bookshelf 120



Mini shelf



Wall mount 120



## **UTIL**

Founded in 2017 and led by Portuguese designer Manuel Amaral Netto and business strategist Tomás Carvalhas, UTIL is a young Lisbon based design brand with a clear focus on enduring and functional storage furniture made from high quality materials. Transcending product design, UTIL's philosophy of simplifying and focusing on the essential is inspired by people and everyday life, every piece of the formally simple and architectural influenced collection is made to last a lifetime.

## **FROM INDUSTRIAL DESIGN**

Is a collaboration between Cesare Bizzotto and Tobias Nitsche. The italo-german duo met during their masters degree in ECAL, Switzerland. Since then been developing industrial products in the fields of furniture and lighting. They are known for developing inovative and forward thinking solutions while always keeping an edge in their aesthetics. They have designed the Plié Shelving System for UTIL.

[www.fromindustrialdesign.com](http://www.fromindustrialdesign.com)

email to [shop@thisisutil.com](mailto:shop@thisisutil.com)  
shop [www.thisisutil.com](http://www.thisisutil.com)  
look at [instagram.com/this\\_is\\_util](https://www.instagram.com/this_is_util)  
like [facebook.com/thisisutil](https://www.facebook.com/thisisutil)



This is Util Lda  
Rua do Giestal 37B  
1300-275 Lisboa  
Portugal