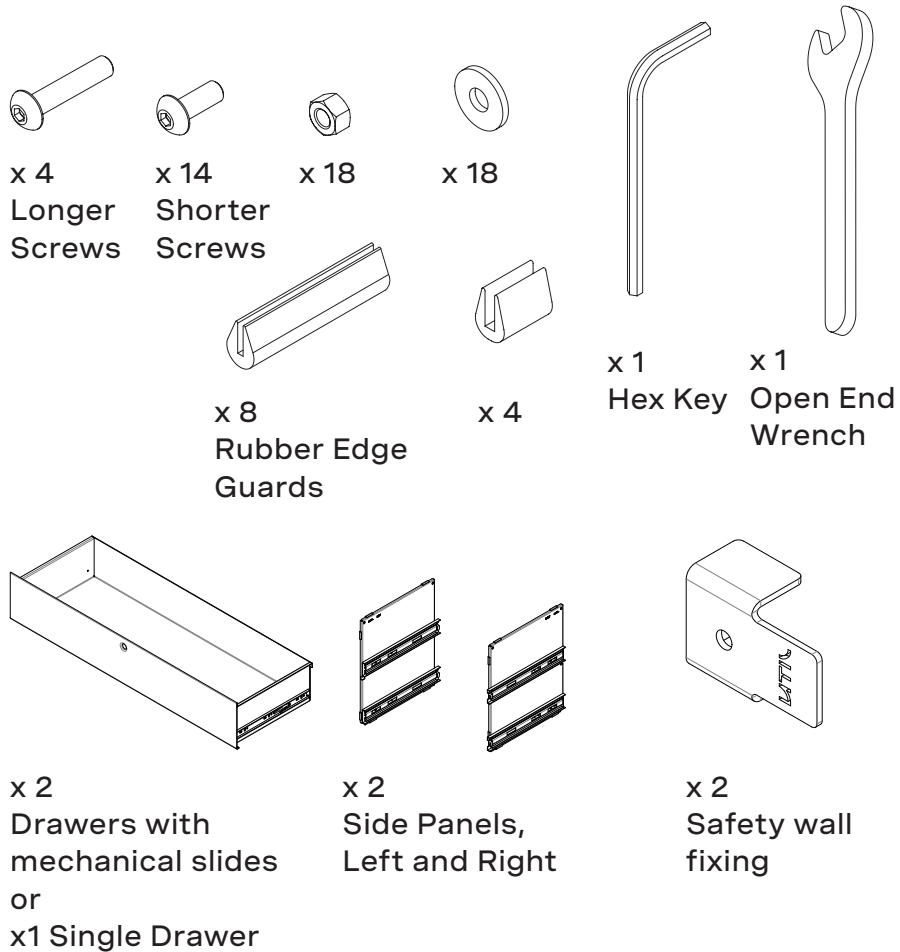


These quick steps will guide you throughout the assembly of all of floor unit versions of the Plié.

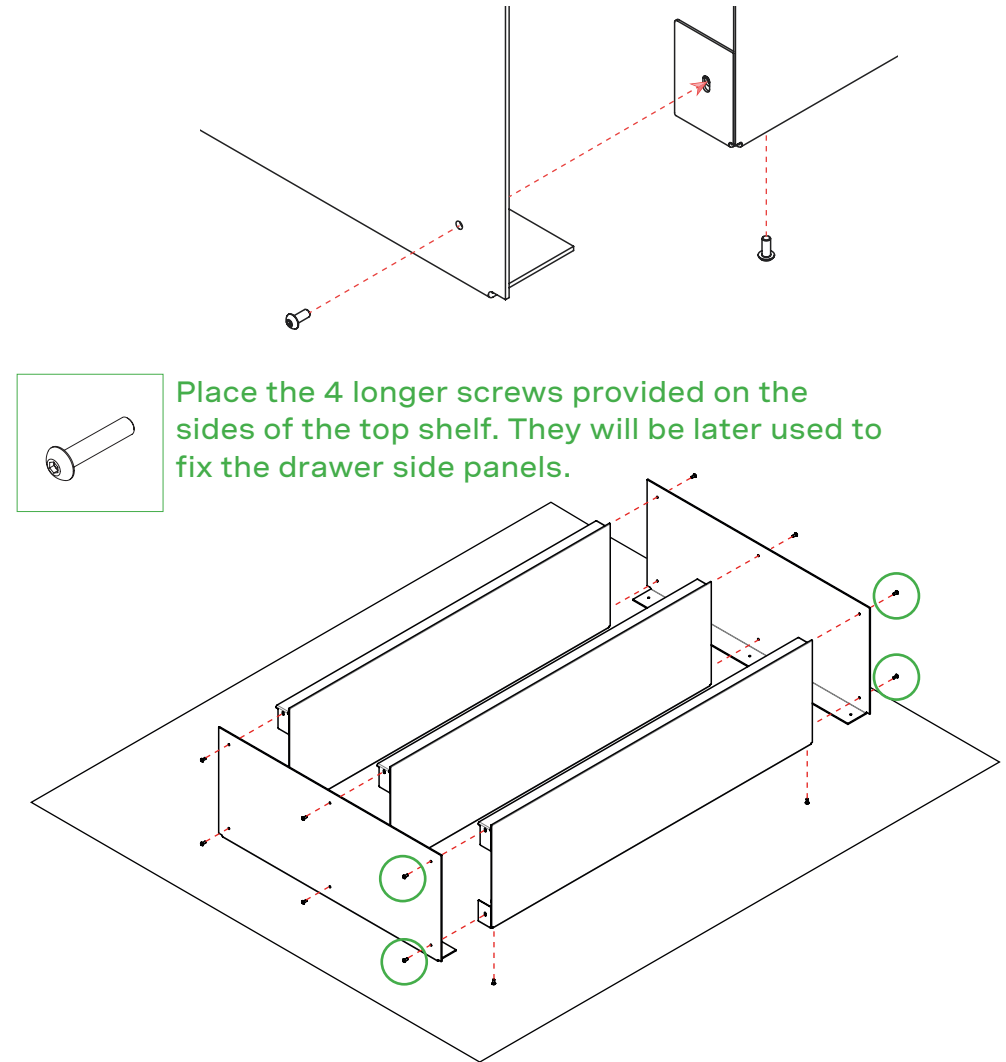
Please make sure you have all the parts needed before starting the assembly of your unit.

Tools and parts Included:



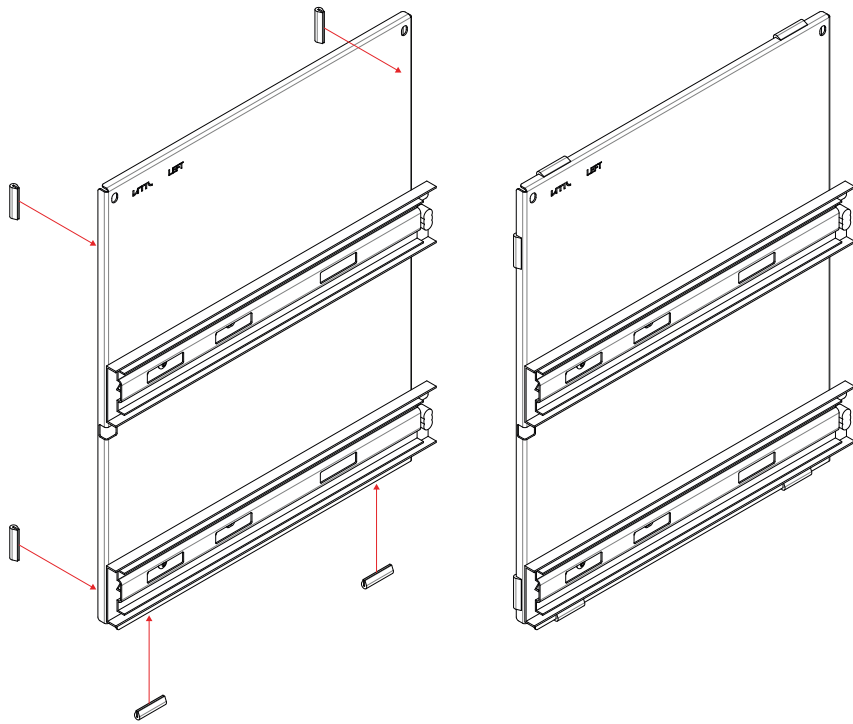
Need Help?
 Message us on WhatsApp
 +351 912 366 997

1 With the parts laying on a soft surface start by assembling the top shelf and the top screw. This way the parts will hold while you attach the other screws.

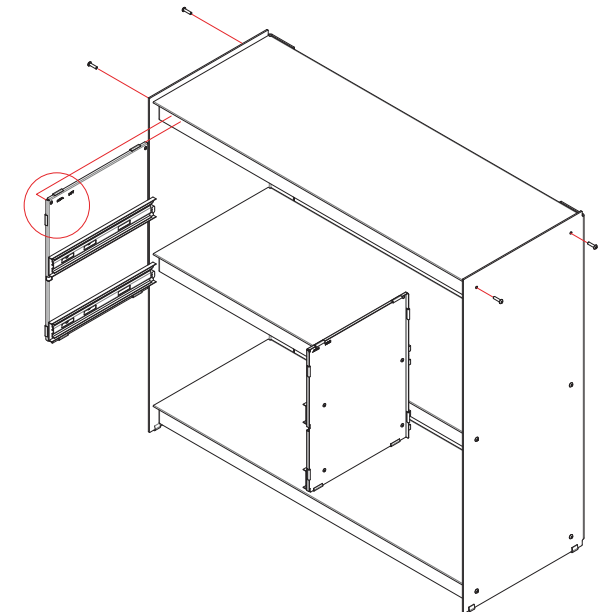
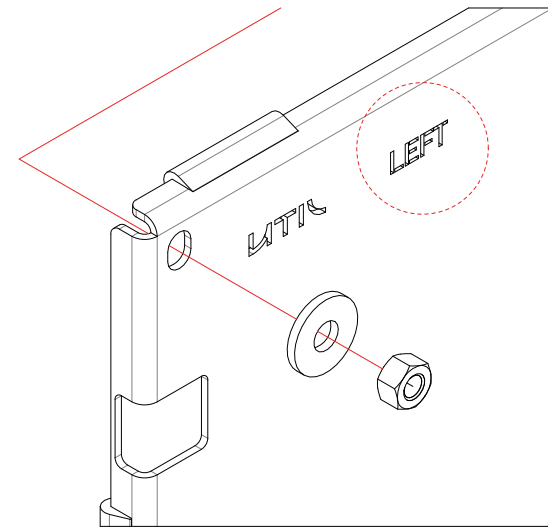


We recommend that you assemble your Plié with its back laying on a soft surface such as a carpet.

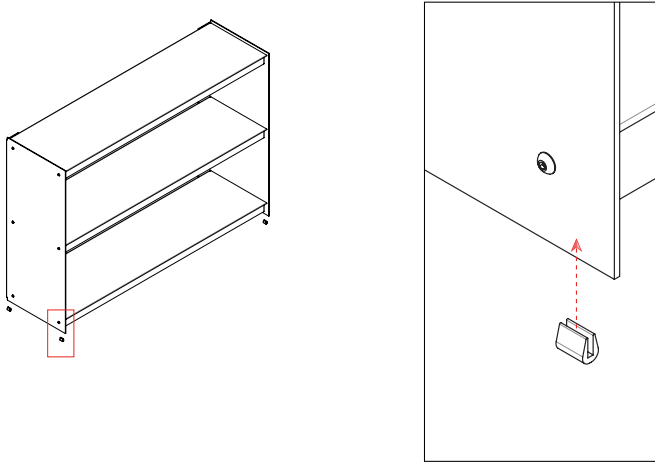
2 Place the rubber edge guards on both side panels before assembling them to your shelving unit.



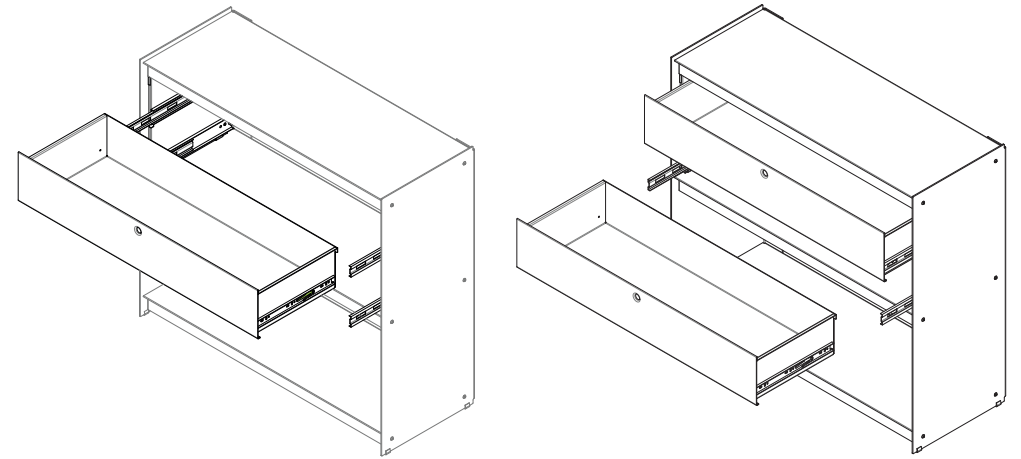
3 Make sure you are using the top 4 screws on the top shelf to fix the drawer sidepanels. Place both left and right side panels inside of the shelving unit as shown below.



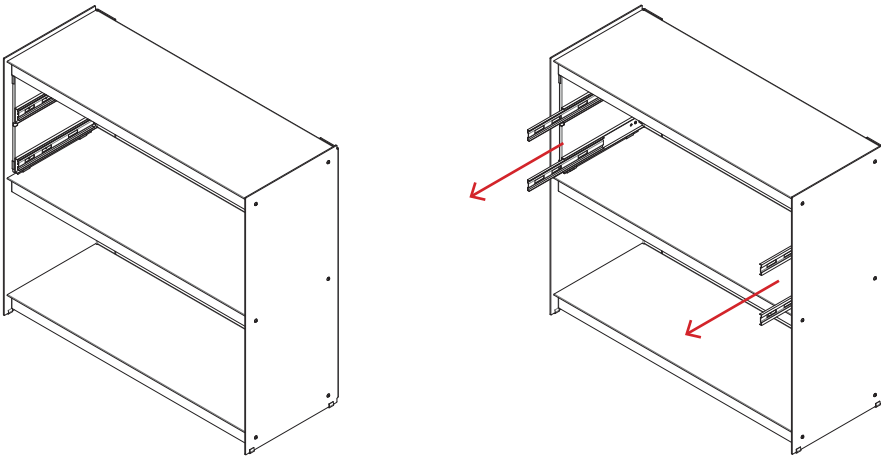
4 Before setting up the drawers please make sure to slide in the rubber feet.



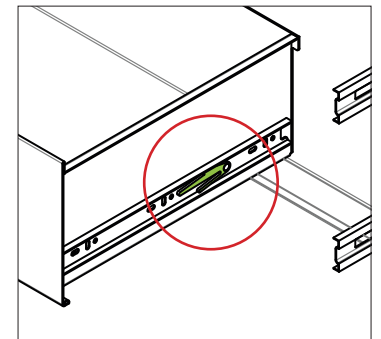
5a Slide in the drawers into the mechanical slides.



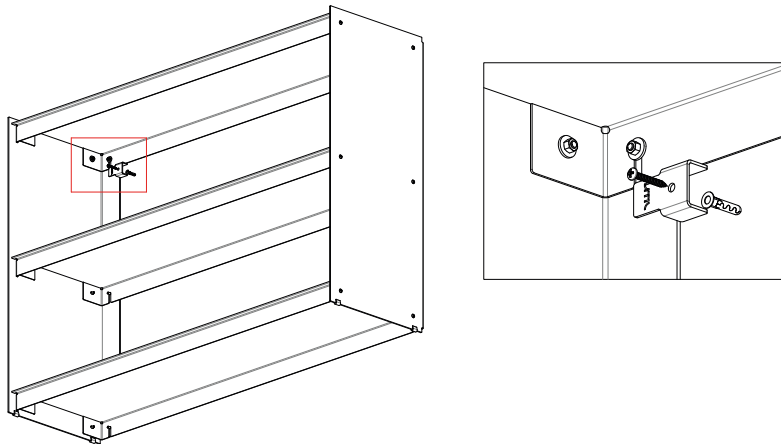
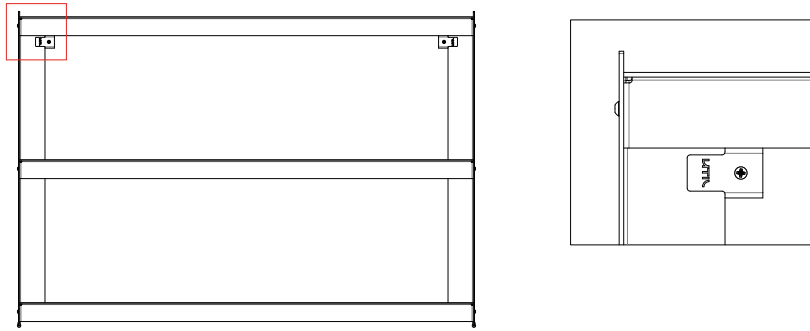
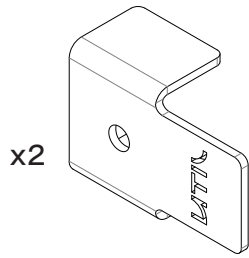
5 Pull the mechanical slides outside to help you place of the drawers.



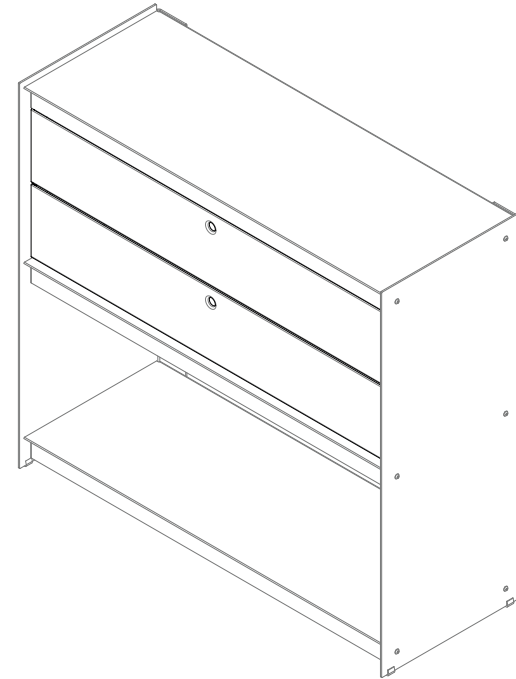
How to Remove the Drawers:
Push the green part up or down to unlock the mechanical slides.



6 We recommend fixing the two wall safety parts to prevent the unit from tilting forward.



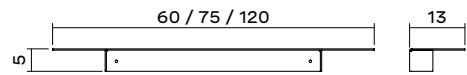
7 That's it!
You have installed the drawers.



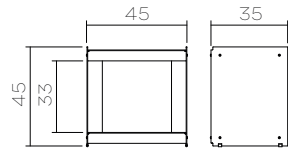
Was it hard to install?

Please let us know if you had any difficulties during the assembly. We are always very happy to hear your thoughts!

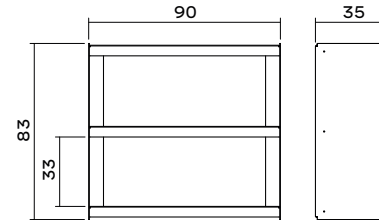
The Plié family



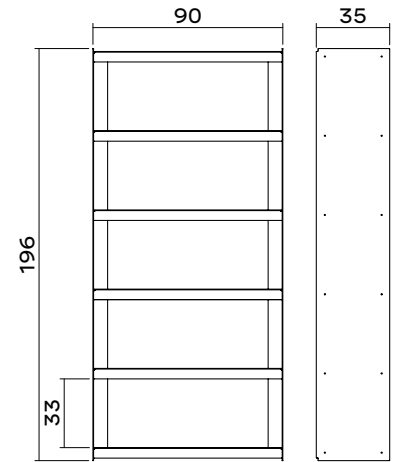
Single Shelf



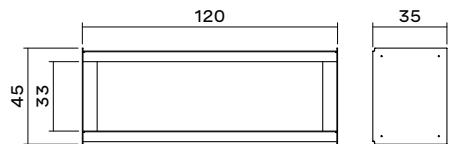
Plié Side Table



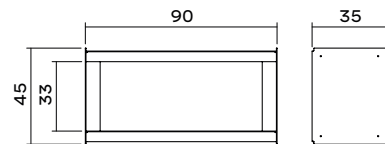
Plié Sideboard 90 cm



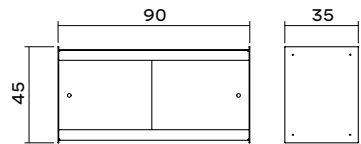
Plié Bookshelf 90 cm



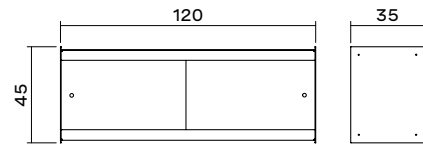
Plié Floor Unit 120 cm



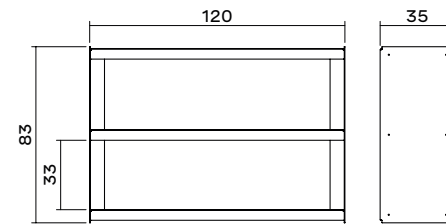
Plié Floor Unit 90 cm



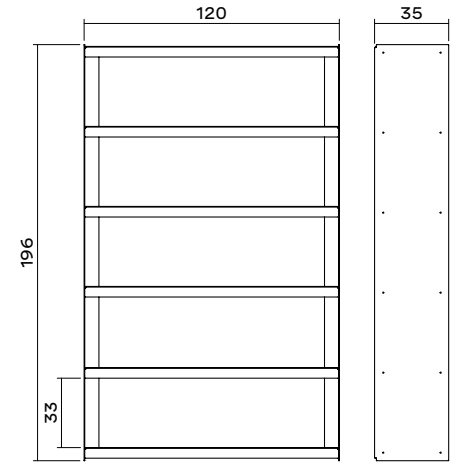
Plié Wall Mount 90 cm



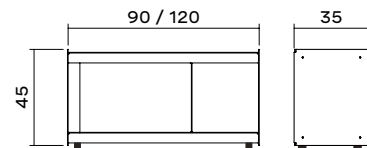
Plié Wall Mount 120 cm



Plié Sideboard 120 cm



Plié Bookshelf 120 cm



Plié Media Unit

UTIL

Founded in 2017 and led by Portuguese designer Manuel Amaral Netto and business strategist Tomás Carvalhas, UTIL is a young Lisbon based design brand with a clear focus on enduring and functional storage furniture made from high quality materials. Transcending product design, UTIL's philosophy of simplifying and focusing on the essential is inspired by people and everyday life, every piece of the formally simple and architectural influenced collection is made to last a lifetime.

FROM INDUSTRIAL DESIGN

Is a collaboration between Cesare Bizzotto and Tobias Nitsche.

The italo-german duo met during their masters degree in ECAL, Switzerl. Since then been developing industrial products in the fields of furniture and lighting.They are known for developing inovative and forward thinking solutions while always keeping an edge in their aesthetics. They have designed the Plié Shelving System for UTIL.

www.fromindustrialdesign.com

email to shop@thisisutil.com
shop www.thisisutil.com
look at [instagram.com/this_is_util](https://www.instagram.com/this_is_util)
like [facebook.com/thisisutil](https://www.facebook.com/thisisutil)



This is Util Lda
Rua do Giestal 37B
1300-275 Lisboa
Portugal