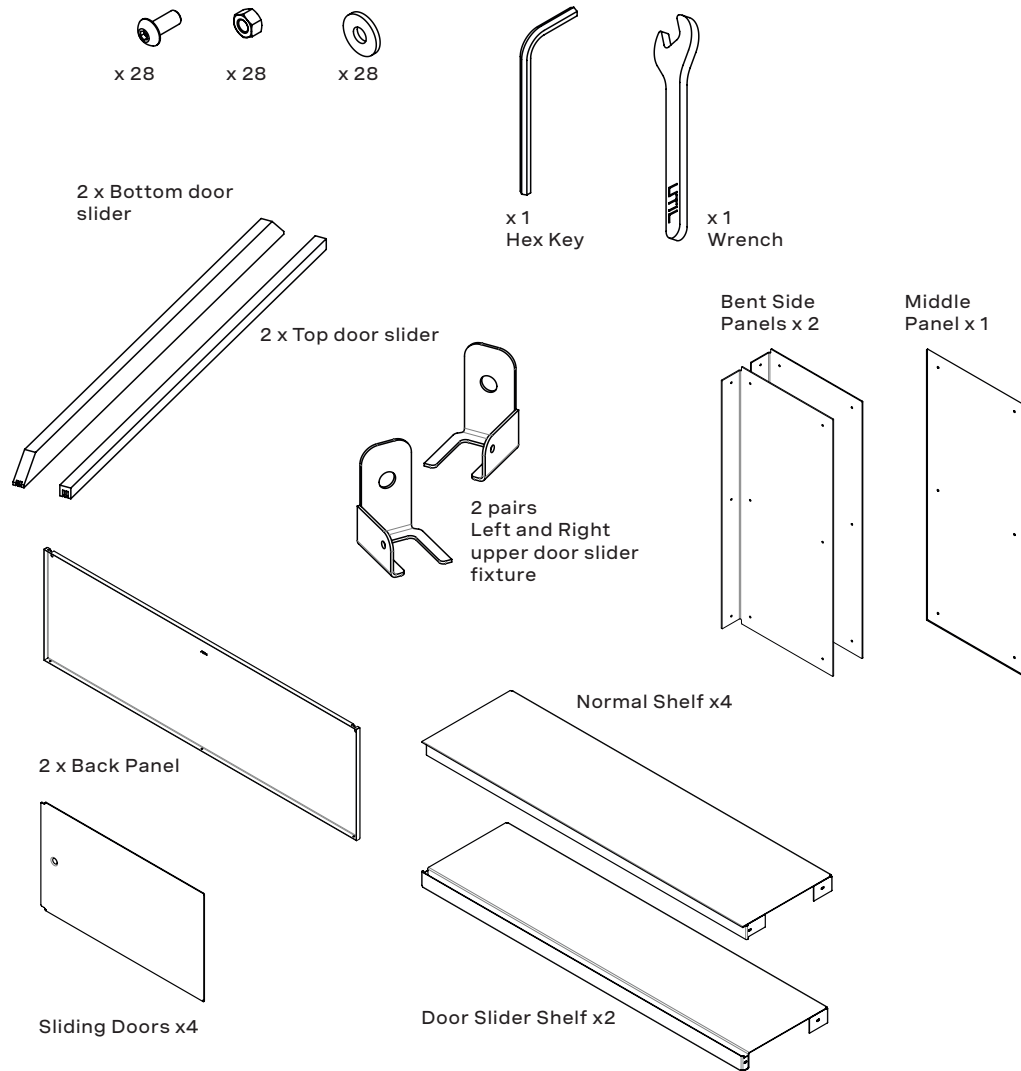


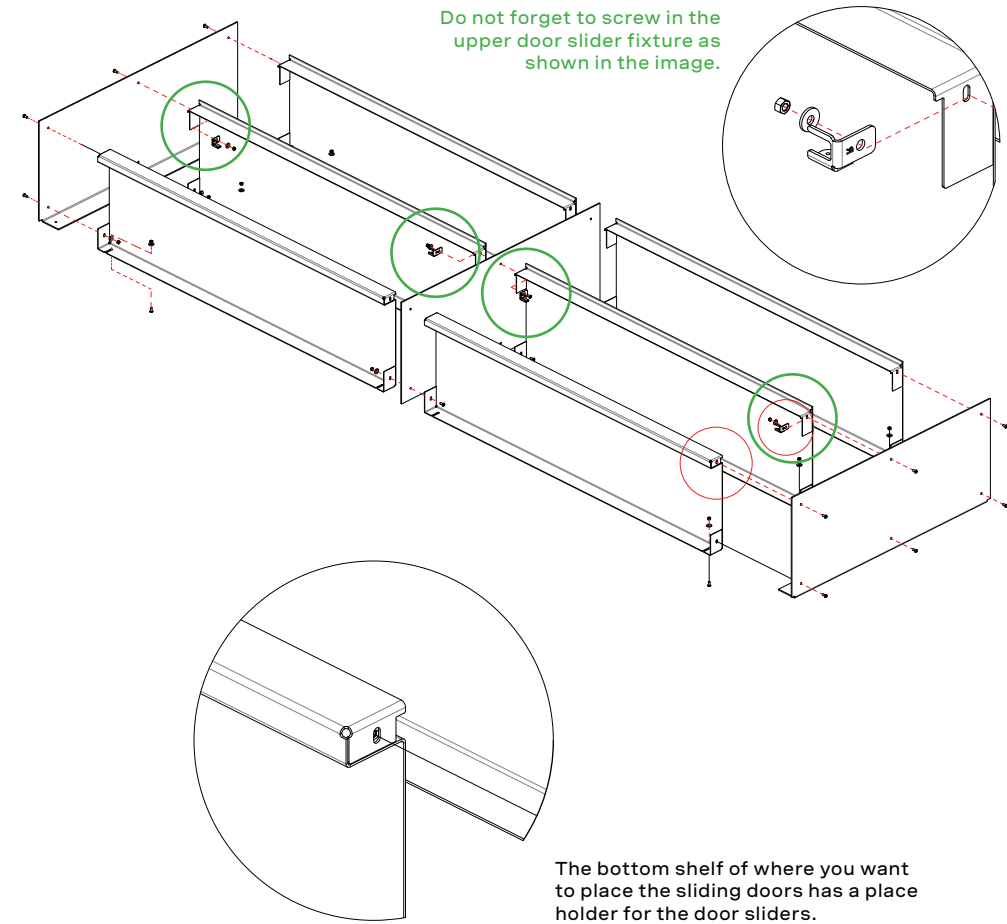
These quick steps will guide you throughout the assembly of all of floor unit versions of the Plié.

Please make sure you have all the parts needed before starting the assembly of your unit.

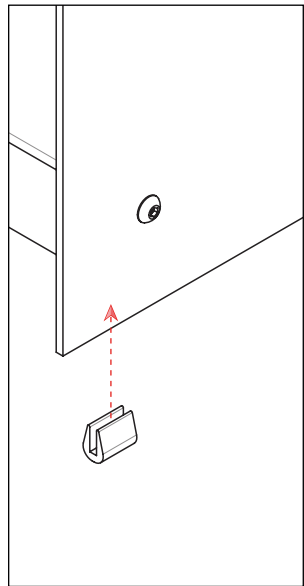
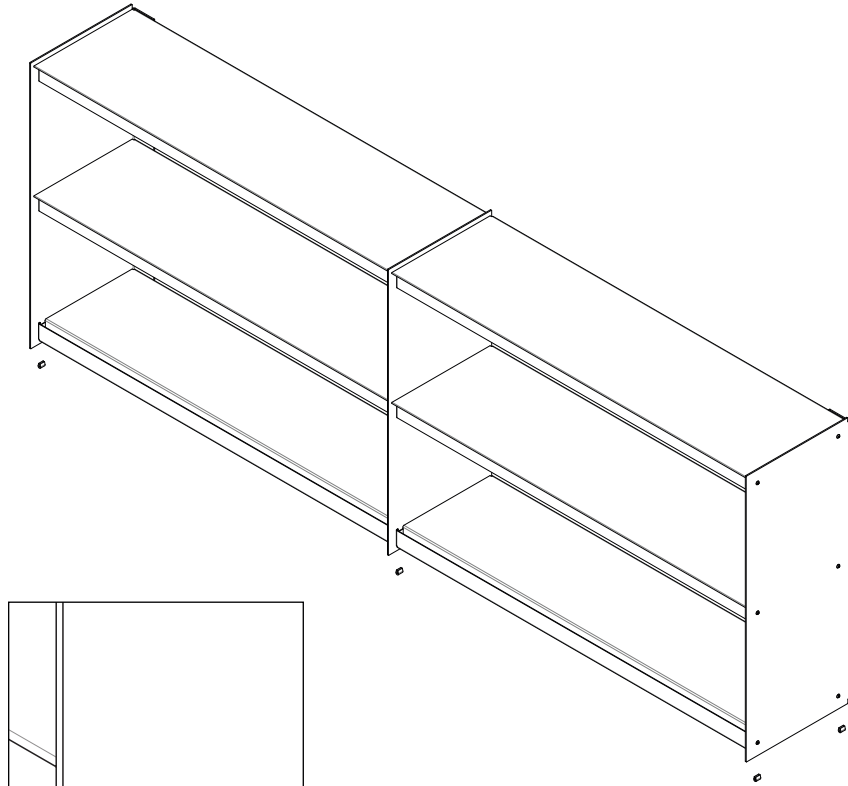
Tools and parts Included:



**1** With the parts laying on a soft surface start by assembling the top shelf and the top screw. This way the parts will hold while you attach the other screws.

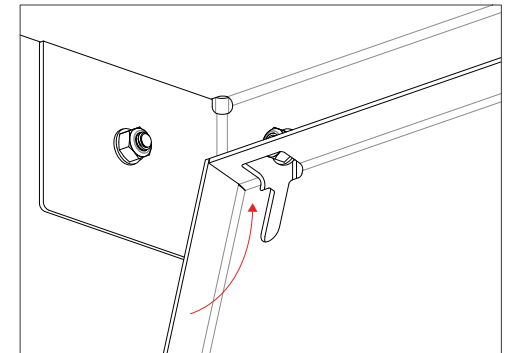
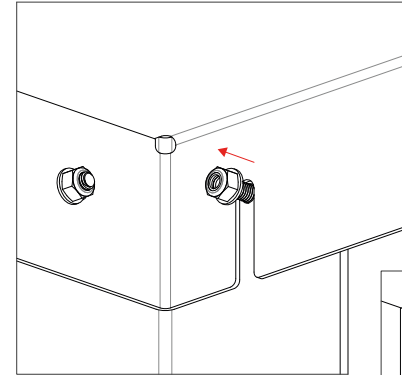
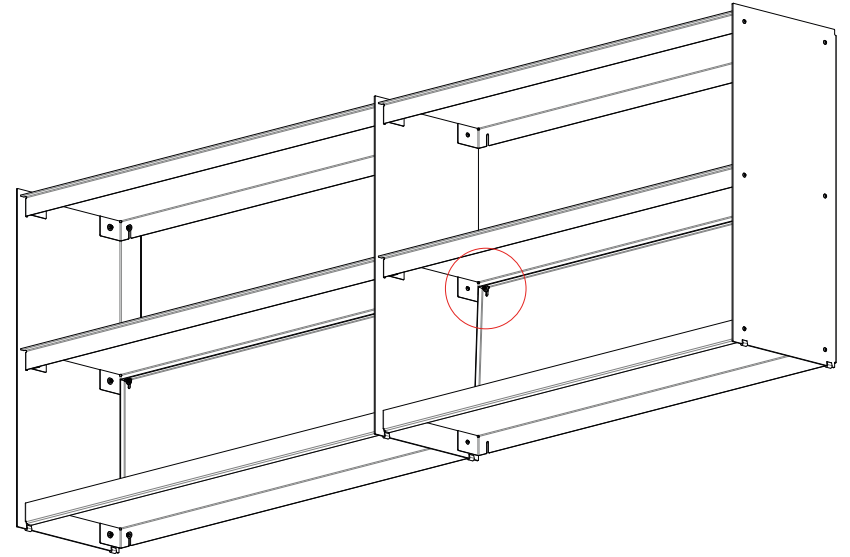


**2** Once assembled and before putting it standing slot in the rubber feet.



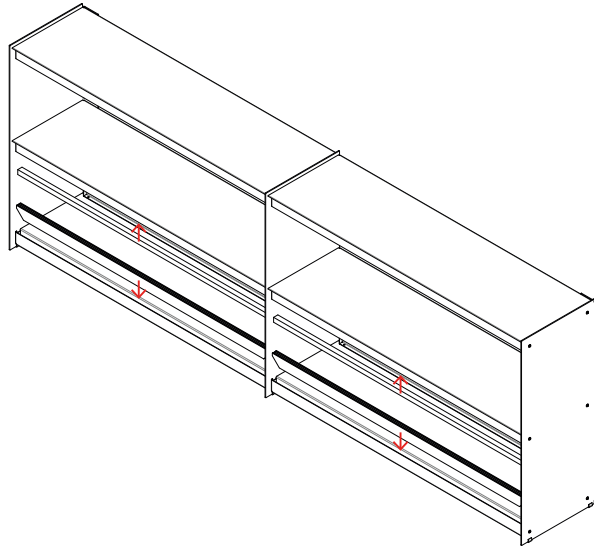
4

**3** Install the back panel by first loosening the two back screws so you can slide in the back panel. Screw back in the back screws once the back panel is in place.

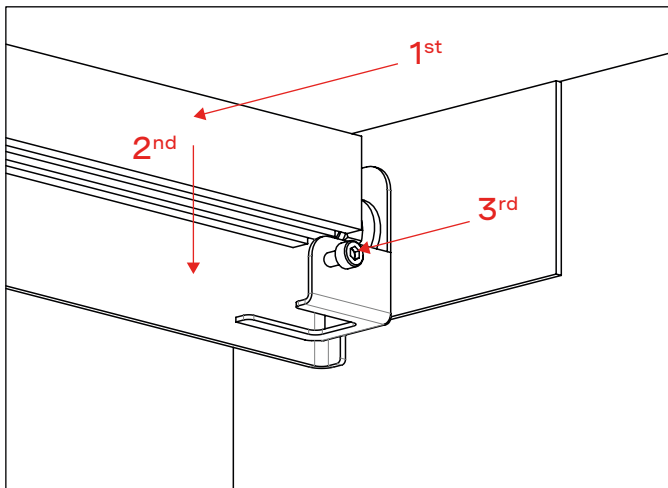


5

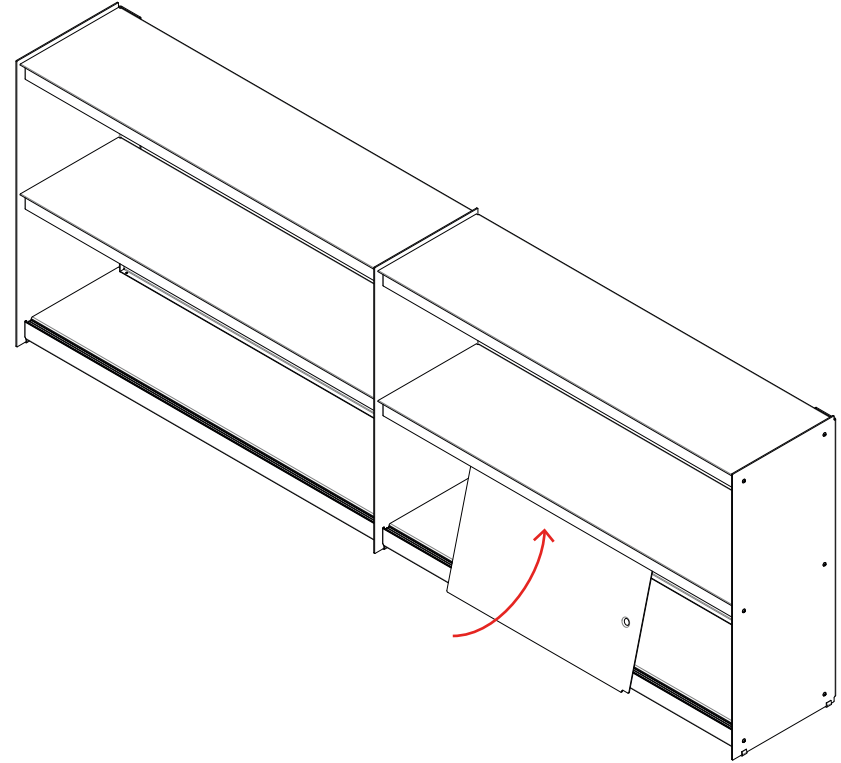
**4** Place the two door sliders



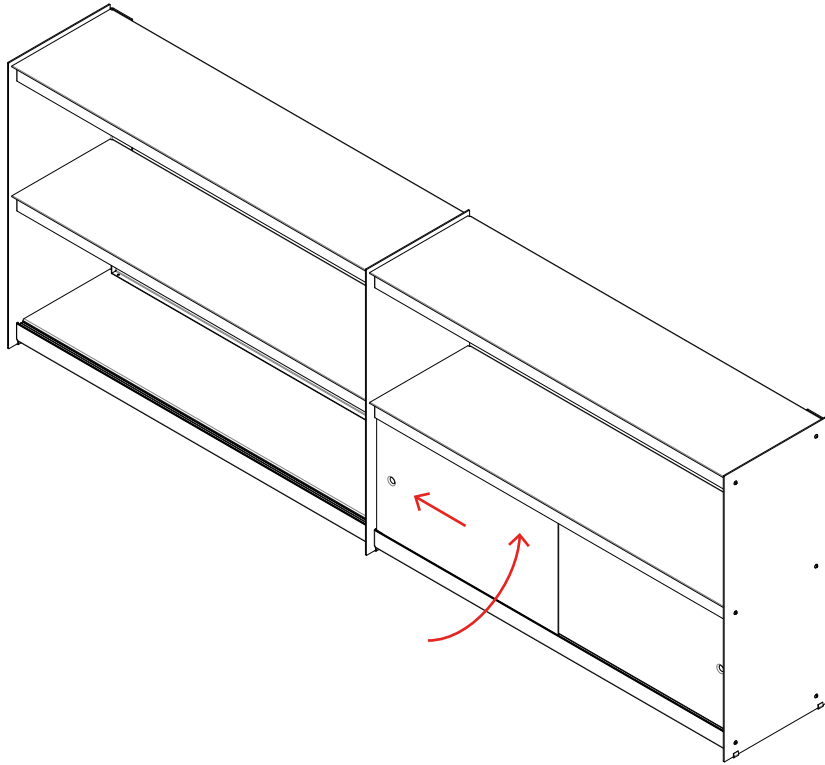
**4a** On the top slider don't forget to fix it by screwing in the small screw.



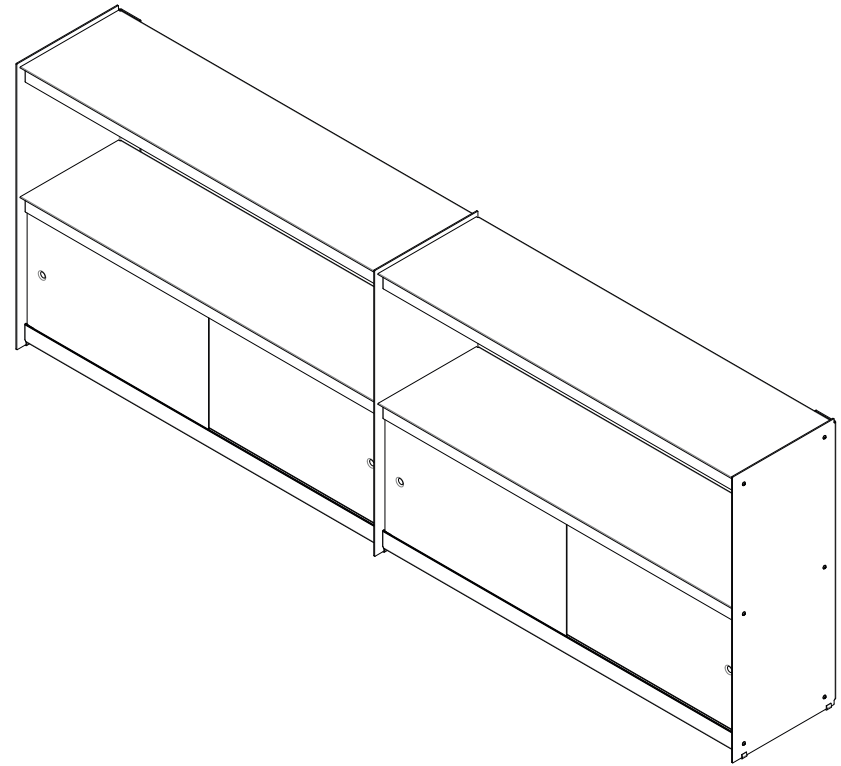
**5** Next step is to place the door by inserting it on the back rail of the top back slider.



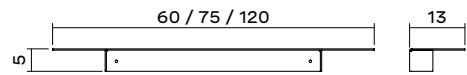
**6** Do the same for the other door by placing it on the front rail.



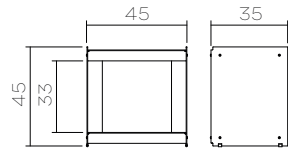
**5** Repeat the same process for the other two doors. And you are good!



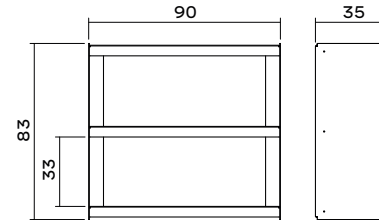
# The Plié family



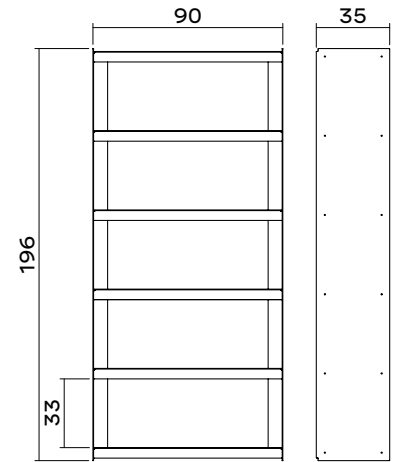
Single Shelf



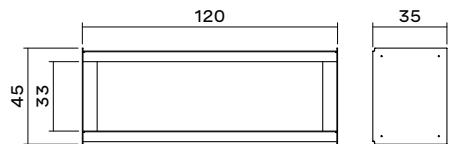
Plié Side Table



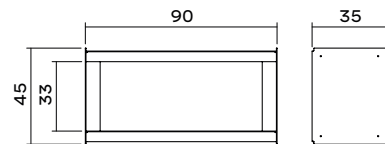
Plié Sideboard 90 cm



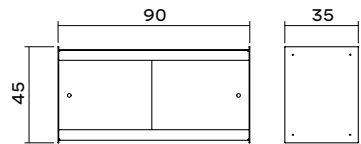
Plié Bookshelf 90 cm



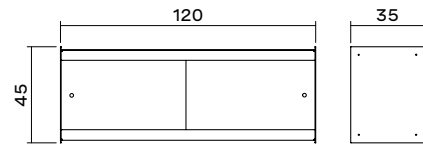
Plié Floor Unit 120 cm



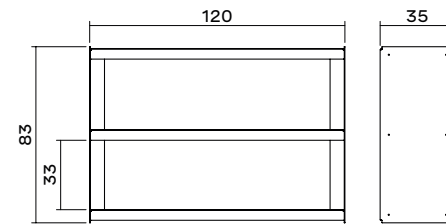
Plié Floor Unit 90 cm



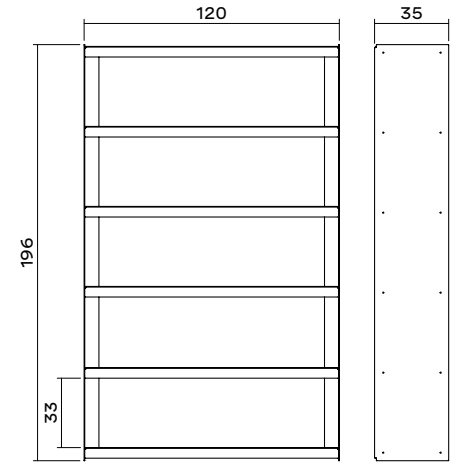
Plié Wall Mount 90 cm



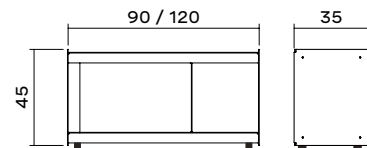
Plié Wall Mount 120 cm



Plié Sideboard 120 cm



Plié Bookshelf 120 cm



Plié Media Unit

## **UTIL**

Founded in 2017 and led by Portuguese designer Manuel Amaral Netto and business strategist Tomás Carvalhas, UTIL is a young Lisbon based design brand with a clear focus on enduring and functional storage furniture made from high quality materials. Transcending product design, UTIL's philosophy of simplifying and focusing on the essential is inspired by people and everyday life, every piece of the formally simple and architectural influenced collection is made to last a lifetime.

## **FROM INDUSTRIAL DESIGN**

Is a collaboration between Cesare Bizzotto and Tobias Nitsche. The italo-german duo met during their masters degree in ECAL, Switzerland. Since then been developing industrial products in the fields of furniture and lighting. They are known for developing inovative and forward thinking solutions while always keeping an edge in their aesthetics. They have designed the Plié Shelving System for UTIL.

[www.fromindustrialdesign.com](http://www.fromindustrialdesign.com)

email to [shop@thisisutil.com](mailto:shop@thisisutil.com)  
shop [www.thisisutil.com](http://www.thisisutil.com)  
look at [instagram.com/this\\_is\\_util](https://www.instagram.com/this_is_util)  
like [facebook.com/thisisutil](https://www.facebook.com/thisisutil)



This is Util Lda  
Rua do Giestal 37B  
1300-275 Lisboa  
Portugal