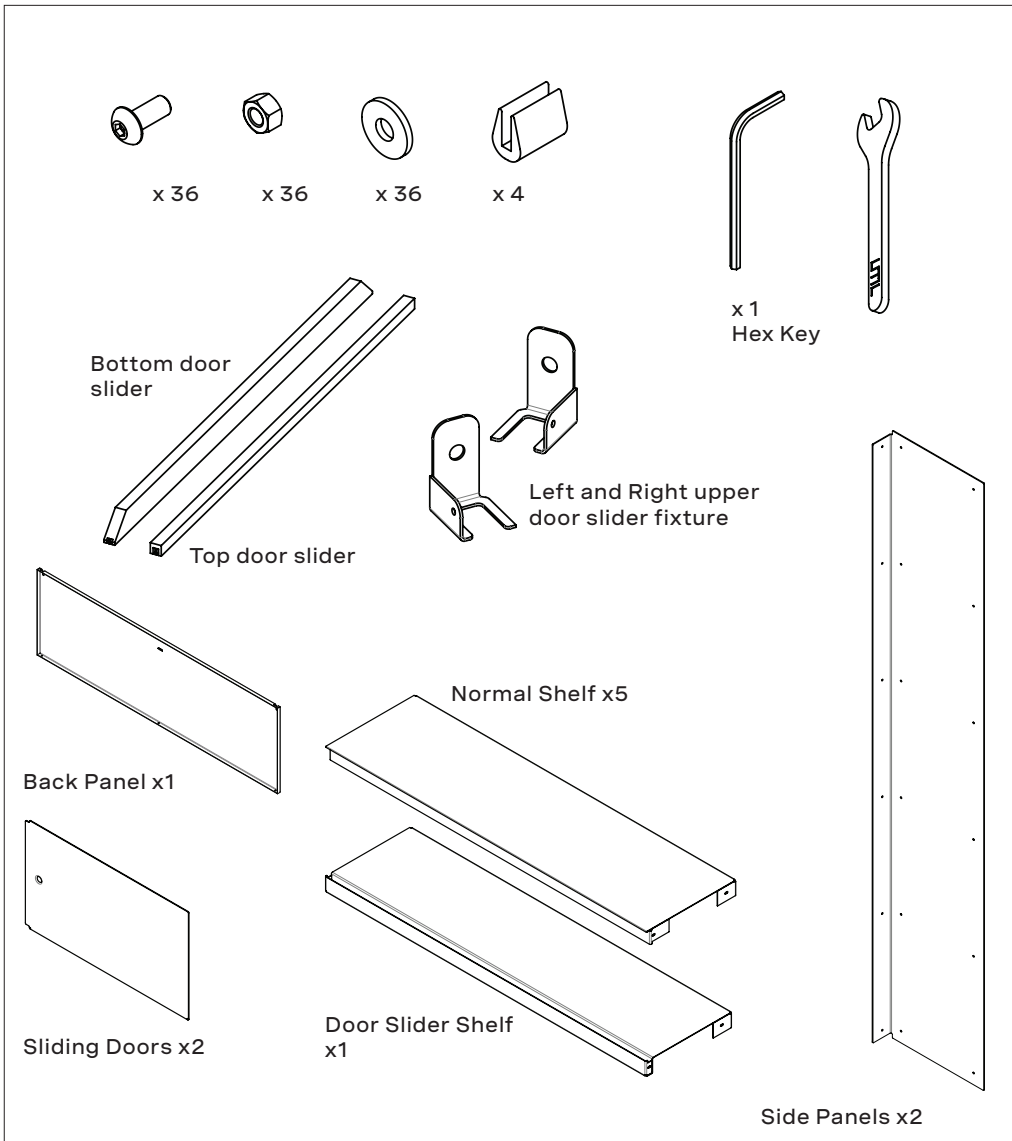
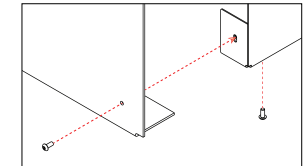
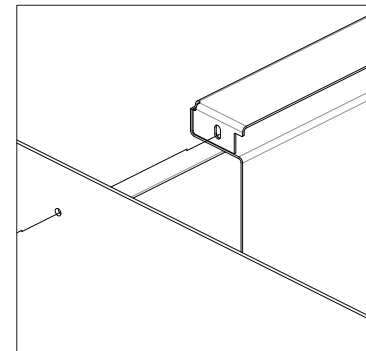
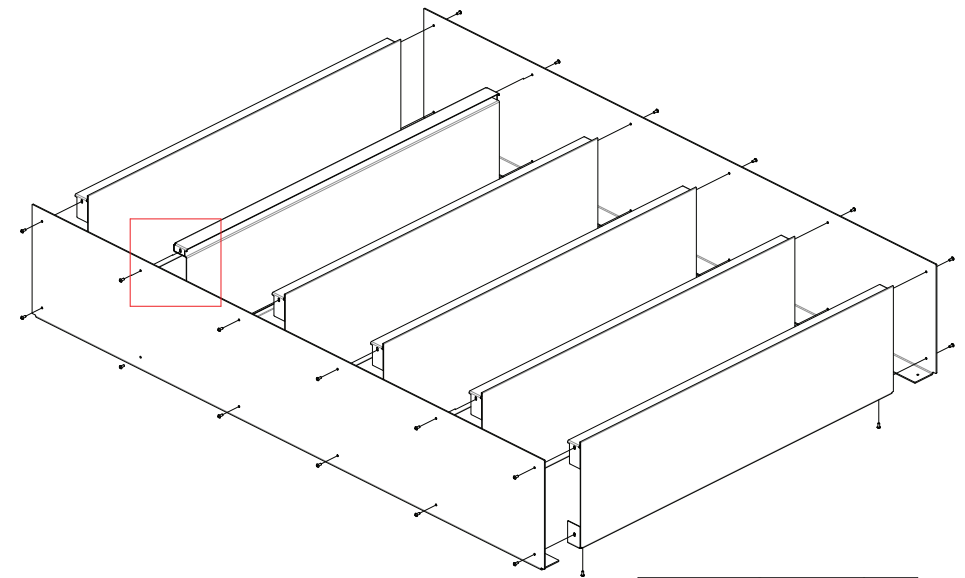


These quick steps will guide you throughout the assembly of the Plié Bookshelf with sliding doors.

Tools and parts Included:



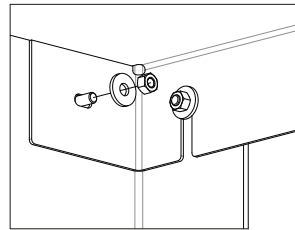
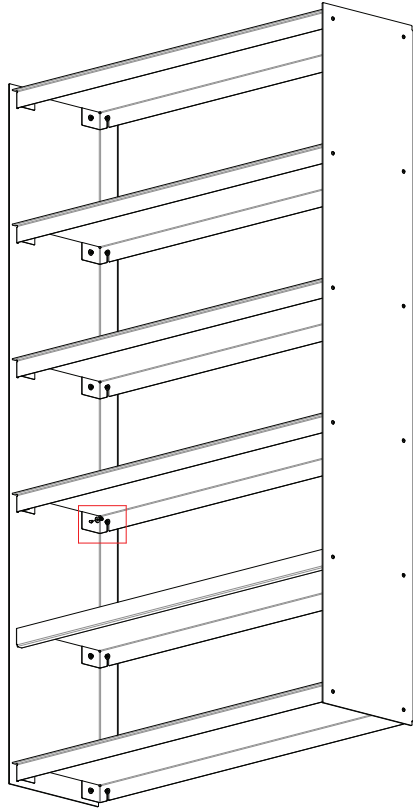
1 With the parts laying on a soft surface start by assembling the top shelf and the top screw. This way the parts will hold while you attach the other screws.



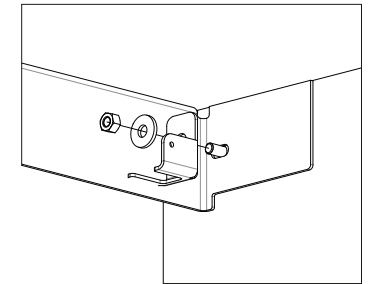
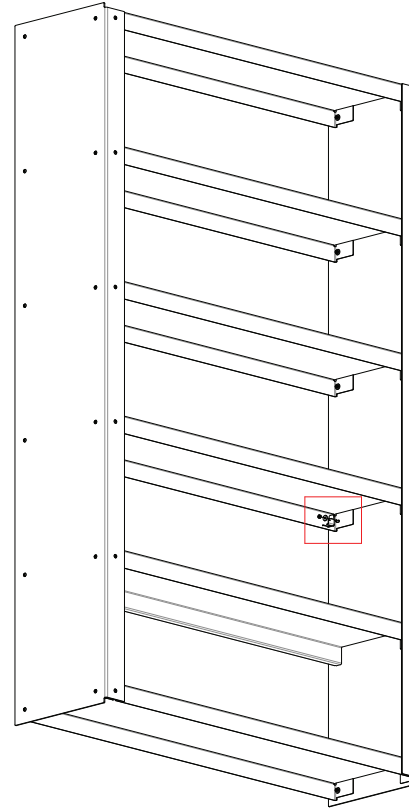
The bottom shelf of where you want to place the sliding doors has a place holder for the door sliders.



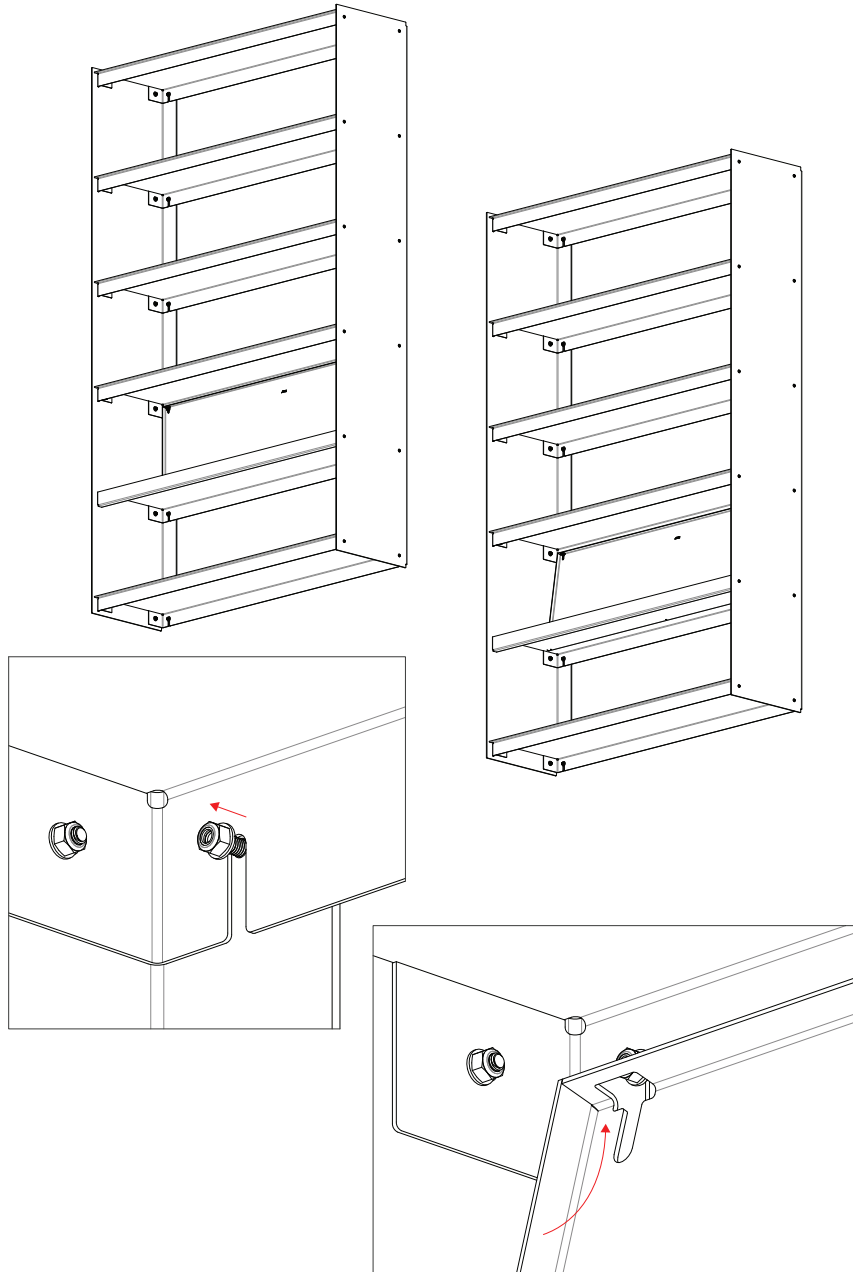
2 Do not forget to put a washer in between the nut and the Plié.



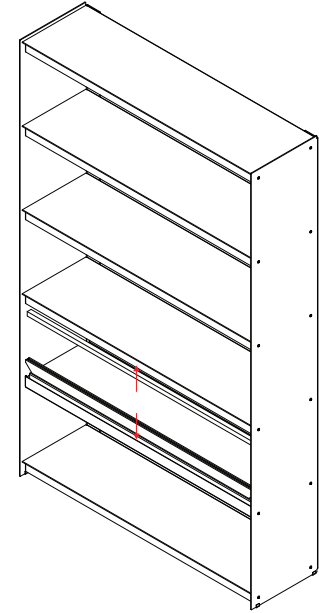
3 Place the upper door sliders brackets on top right and left of the top shelf.



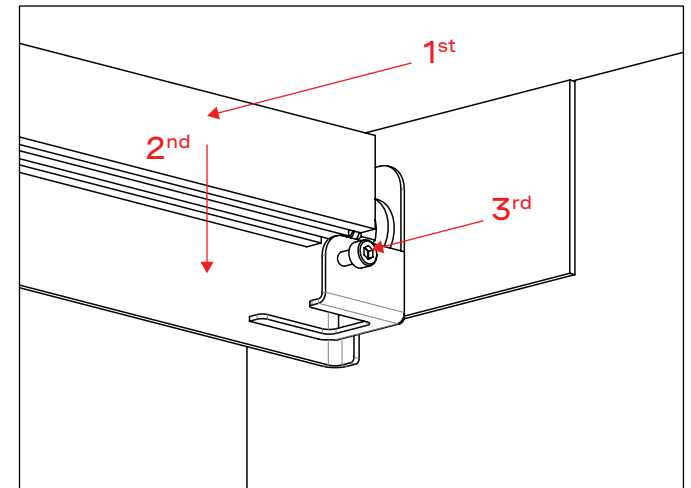
4 Install the back panel by first loosening the two back screws so you can slide in the back panel.



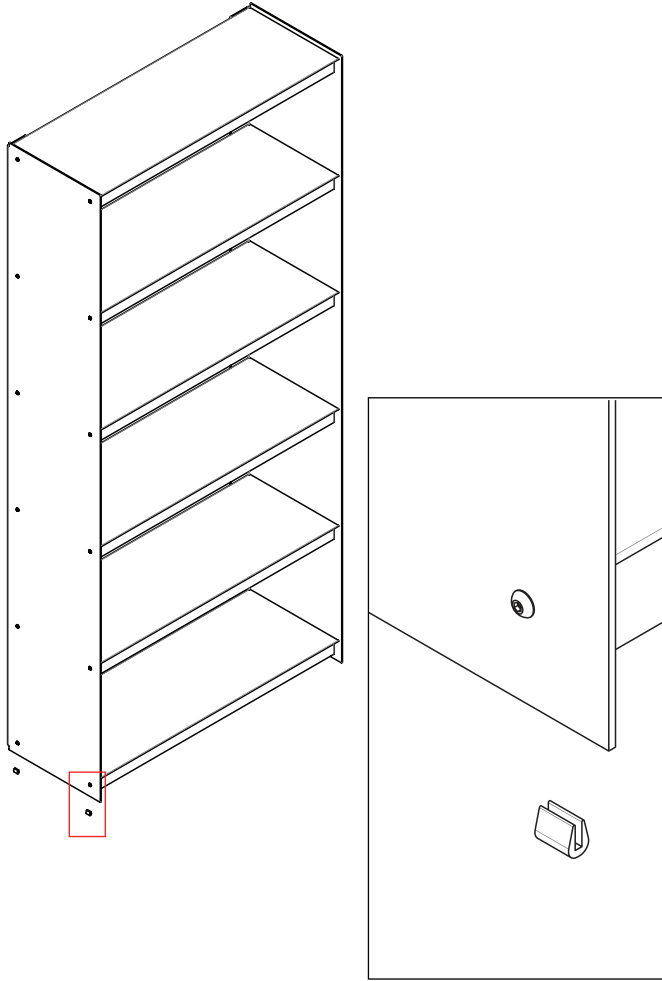
5 Place the two door sliders



6 On the top slider don't forget to fix it by screwing in the small screw.



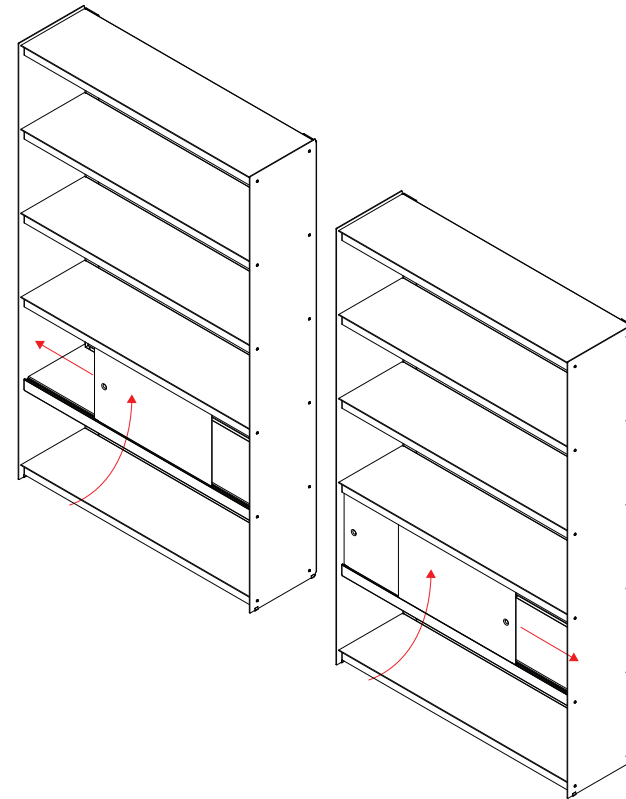
7 Slide in the four rubber feet on the bottom part of the Plié.



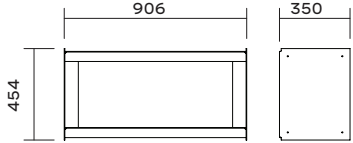
8 And the last step is to place the sliding doors.

→ Place the doors by sliding first the back door in the gap and then letting it fall on the bottom slider.

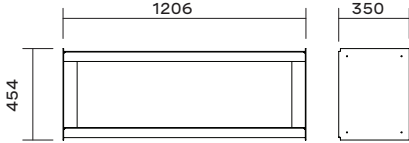
→ Do the same for the other door by placing it in the front gap and you are good to go!



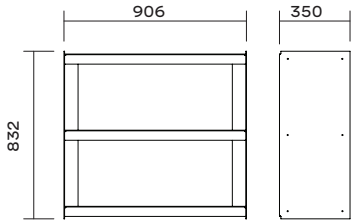
The Plié Family



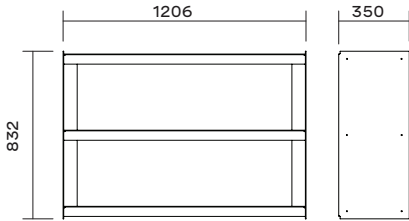
Floor unit 90



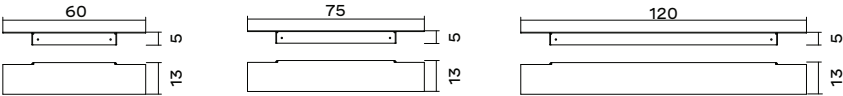
Floor unit 120



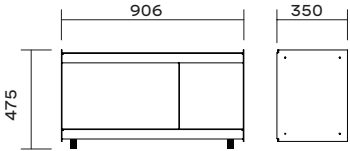
Sideboard 90



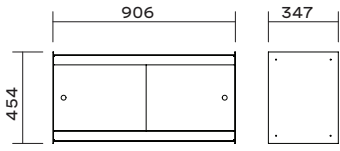
Sideboard 120



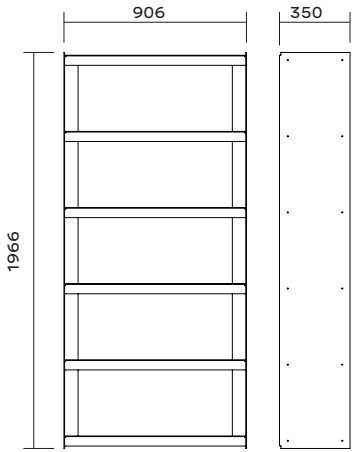
Single Shelf



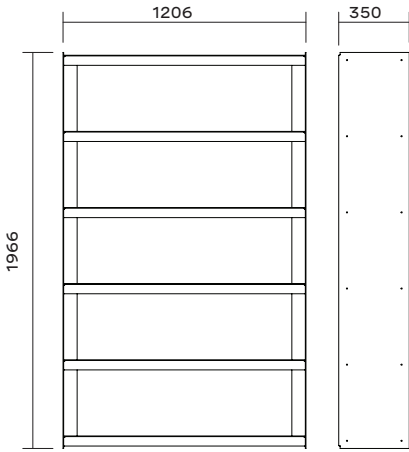
Trolley



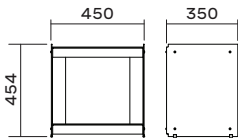
Wall mount 90



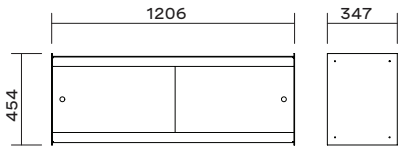
Bookshelf 90



Bookshelf 120



Square Unit



Wall mount 120

UTIL

Founded in 2017 and led by Portuguese designer Manuel Amaral Netto and business strategist Tomás Carvalhas, UTIL is a young Lisbon based design brand with a clear focus on enduring and functional storage furniture made from high quality materials. Transcending product design, UTIL's philosophy of simplifying and focusing on the essential is inspired by people and everyday life, every piece of the formally simple and architectural influenced collection is made to last a lifetime.

FROM INDUSTRIAL DESIGN

Is a collaboration between Cesare Bizzotto and Tobias Nitsche.

The italo-german duo met during their masters degree in ECAL, Switzerl. Since then been developing industrial products in the fields of furniture and lighting.They are known for developing inovative and forward thinking solutions while always keeping an edge in their aesthetics. They have designed the Plié Shelving System for UTIL.

www.fromindustrialdesign.com

email to shop@thisisutil.com
shop www.thisisutil.com
look at [instagram.com/this_is_util](https://www.instagram.com/this_is_util)
like [facebook.com/thisisutil](https://www.facebook.com/thisisutil)



This is Util Lda
Rua do Giestal 37B
1300-275 Lisboa
Portugal