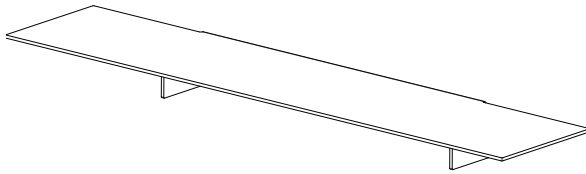




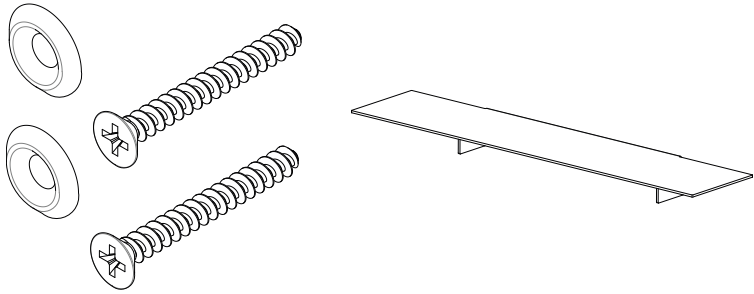
Plié Shelving System by
FROM INDUSTRIAL DESIGN



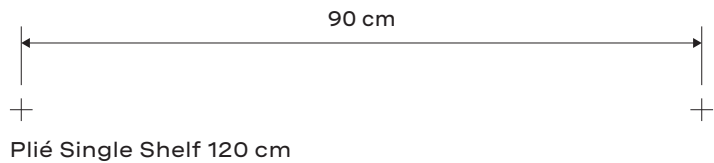
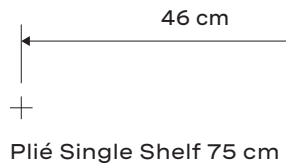
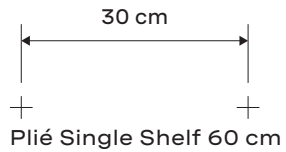
Assembly Instructions
Single Shelf

These quick steps will guide you throughout the assembly of all of the Plié Single Shelves

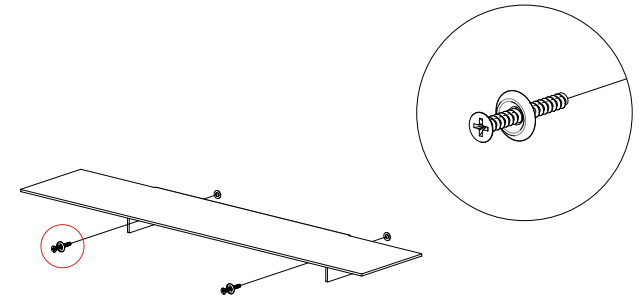
Parts Included:



1 Depending on the length of your single shelf do drill the wall holes. For hard walls use the supplied wall plug and a 8mm drill. For plasterboard you will need to get the appropriate wall plug.



2 Pass the washer through the screw before fixing it to the wall like in the image below.



UTIL

Founded in 2017 and led by Portuguese designer Manuel Amaral Netto and business strategist Tomás Carvalhas, UTIL is a young Lisbon based design brand with a clear focus on enduring and functional storage furniture made from high quality materials. Transcending product design, UTIL's philosophy of simplifying and focusing on the essential is inspired by people and everyday life, every piece of the formally simple and architectural influenced collection is made to last a lifetime.

FROM INDUSTRIAL DESIGN

Is a collaboration between Cesare Bizzotto and Tobias Nitsche. The italo-german duo met during their masters degree in ECAL, Switzerland. Since then been developing industrial products in the fields of furniture and lighting. They are known for developing inovative and forward thinking solutions while always keeping an edge in their aesthetics. They have designed the Plié Shelving System for UTIL.

www.fromindustrialdesign.com

email to shop@thisisutil.com
shop www.thisisutil.com
look at [instagram.com/this_is_util](https://www.instagram.com/this_is_util)
like [facebook.com/thisisutil](https://www.facebook.com/thisisutil)



This is Util Lda
Rua do Giestal 37B
1300-275 Lisboa
Portugal