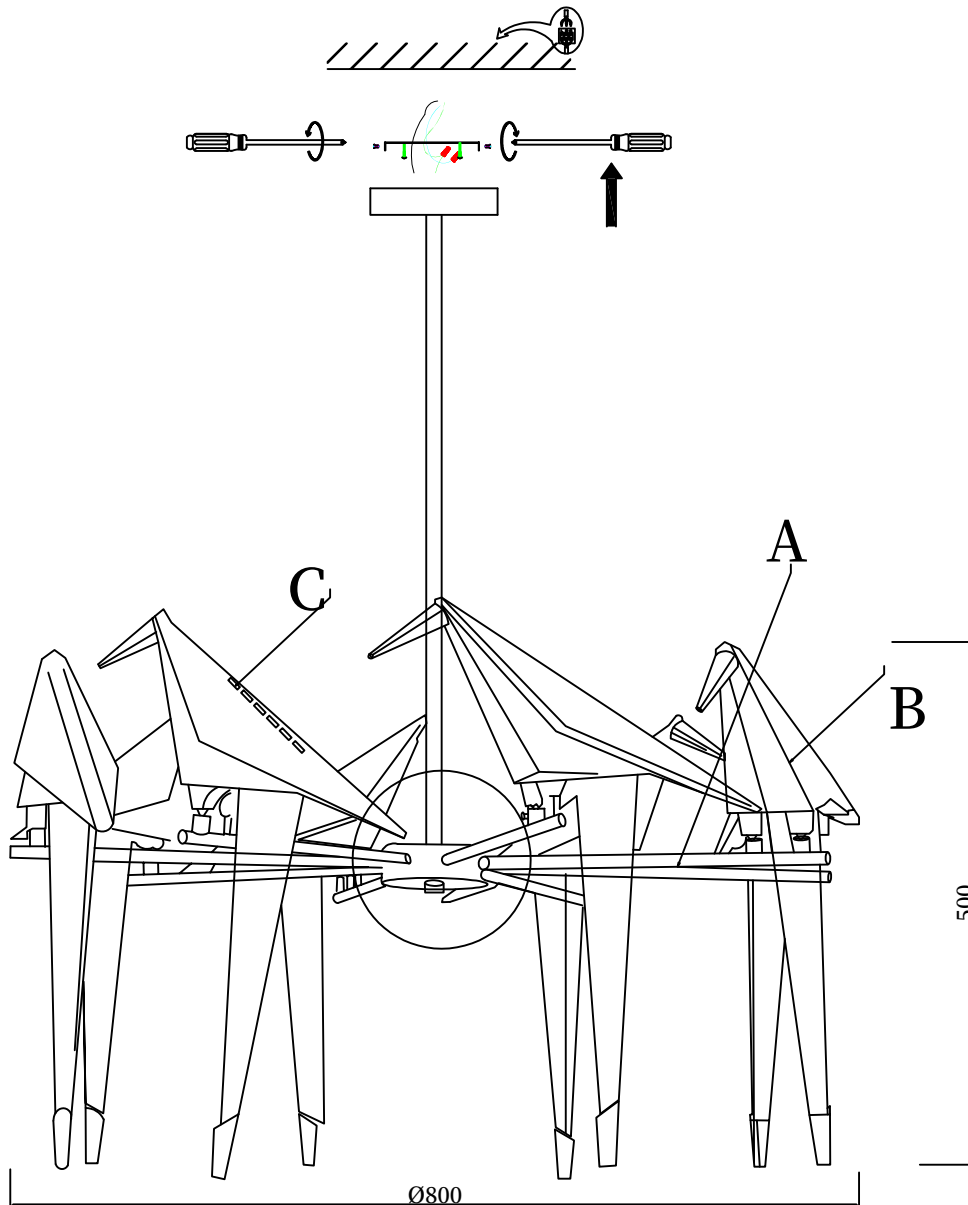


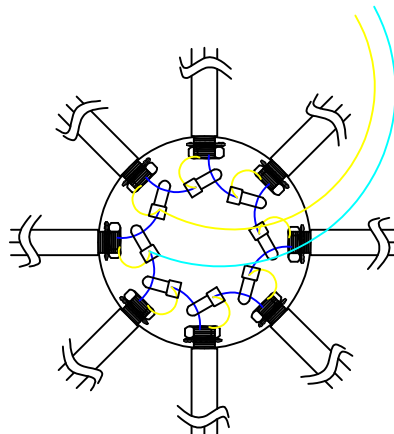
(A) Lamp Body

(C) LED light strip

(B) Acrylic Thousand Paper Cranes



2: 1



- (A) Mounting Plate(1)
- (B) Canopy Fixtures(6)
- (C) Mounting Screws(12)
- (D) Canopy(1)
- (E) Nuts(2)
- (F) Caps(2)
- (G) Drive
- (H) Lamp Shades
- (I) Acrylic Thousand Paper Cranes
- (J) LED light strip

