

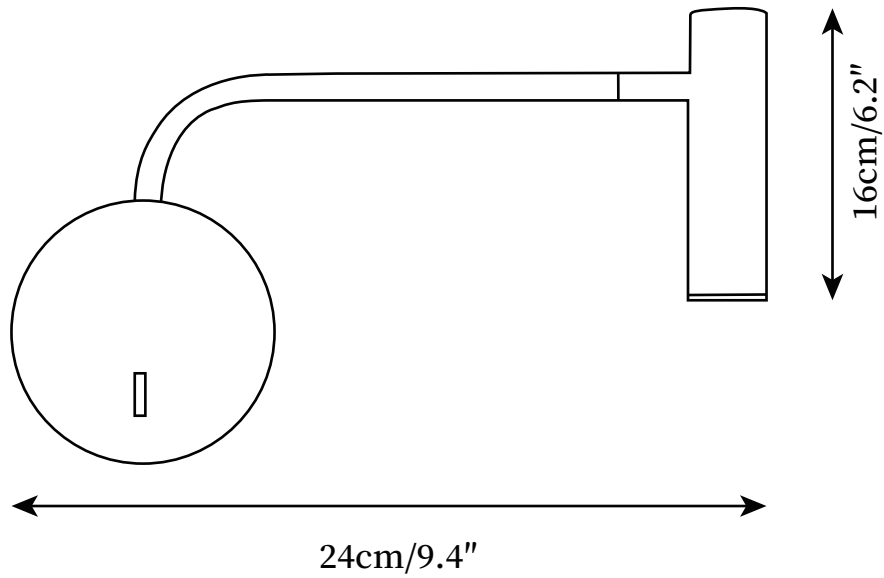
Enna Reading Sconce



Email: info@vakkerlight.com

www.vakkerlight.com

SPECIFICATION SHEET



DESCRIPTION

Enna LED Wall Sconce is a light for all seasons and uses, attached to a fixture where stripped-down design meets considered engineering. A minimalist disc base holds an unobtrusive switch and anchors a well-proportioned pivoting L-shaped arm ending in a powerful LED downlight. The arm is also articulated for tilt and rotation at each end, giving it added versatility. It works great on each side of a bed, in a hallway, or in a reading nook with contemporary and transitional décor schemes.

SPECIFICATION DETAILS

*For custom options, consult factory for details

Fixture Dimensions	D 9.4" x H 6.2"
Light source	Integrated LED
Wattage	~10 W
Voltage	AC 110-240V
Color Temperature	3000k
CRI(Ra)	80CRI
Mounting	Wall
Driver Required	Yes
Optional Color Temps	Warm White (3000K), Cool White (6000K), Daylight (4000K)
LED Rated Life	3000 hours
Dimming	Dimming is not supported
Finishes	Black, White, Gold, Sand Nickel
Shade Details	Black, White, Gold, Sand Nickel
Material	Metal
Wire Length	No
Wire Type	No
Warranty	2 Yaers