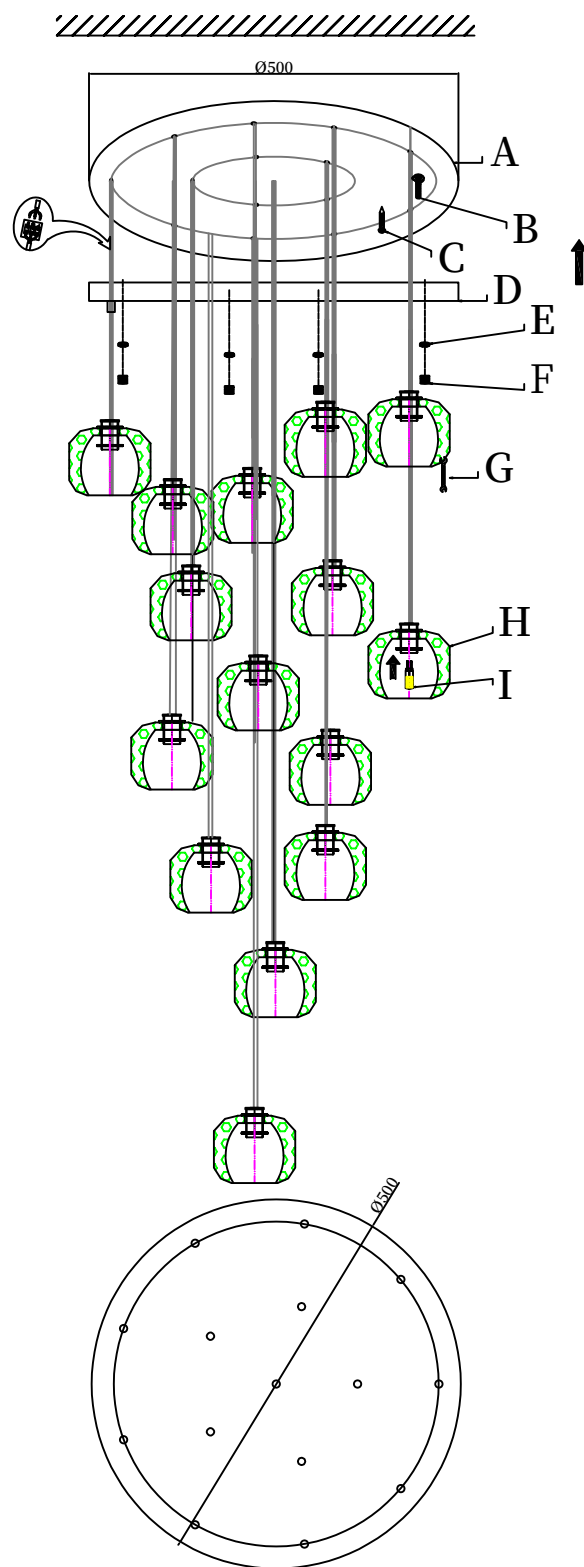


- | | |
|------------------------|--------------------------|
| (A) Mounting Plate(1) | (F) Caps(4) |
| (B) Canopy Fixtures(4) | (G) Installation Tool(1) |
| (C) Mounting Screws(8) | (H) Crystal(15) |
| (D) Canopy(1) | (I) Bulbs(15) |
| (E) Nuts(4) | |



(A) Mounting Plate(1)

(F) Caps(6)

(B) Canopy Fixtures(6)

(G) Installation Tool(1)

(C) Mounting Screws(12)

(H) Crystal(28)

(D) Canopy(1)

(I) Bulbs(28)

(E) Nuts(6)

