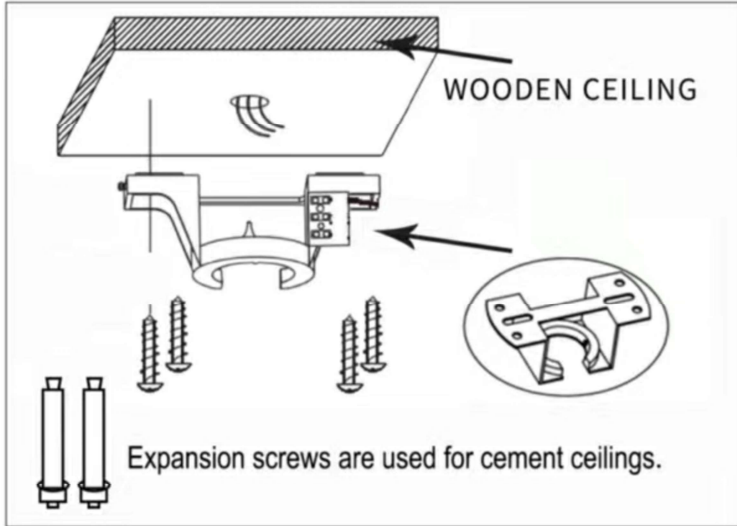
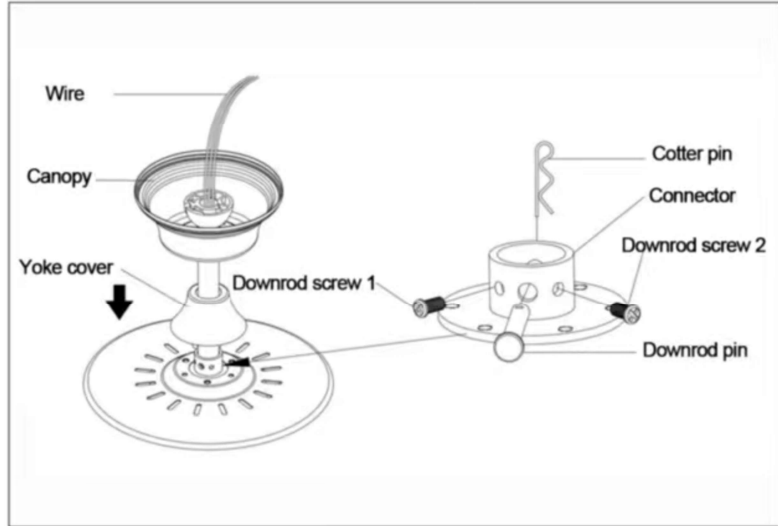


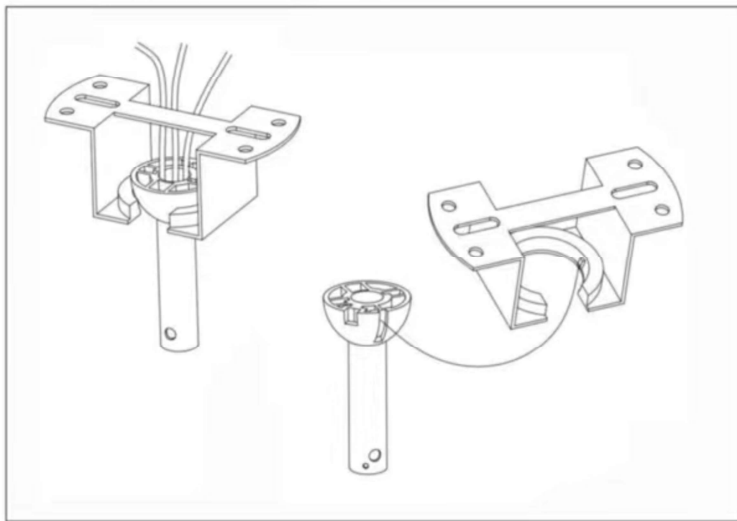
1. Hanger bracket installation.



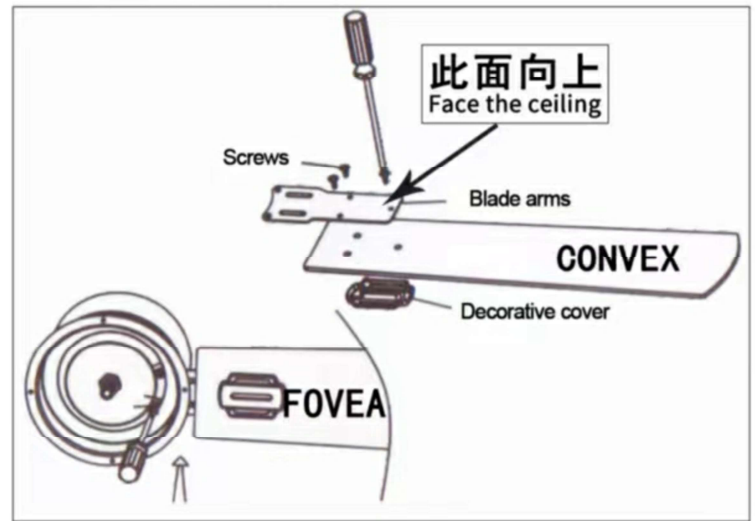
2. Installing drop rod and canopy.



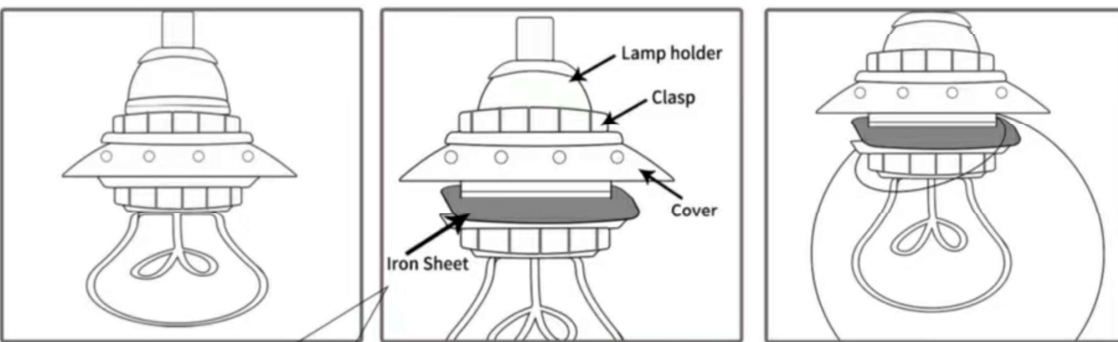
3. Hanging fan to bracket.



4. Attaching the blades.

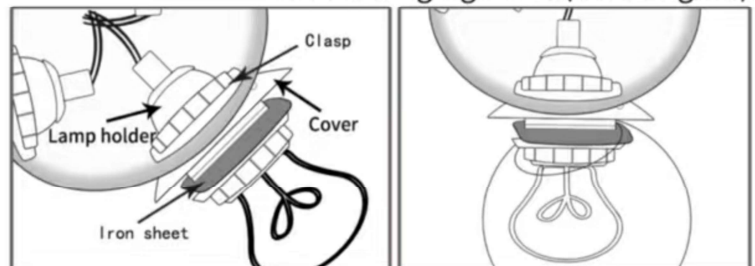


5. Installing light kit. (five lights)



- A. Install five light bulbs.
- B. Unscrew the clasp. Open the first lampshade cover.
- C. Exposing the second layer of Iron Sheet. Angle the lampshade against the sheet iron so that the sheet iron is placed in the lampshade. Cover the first lampshade cover.

6. Installing light kit. (three lights)



- A. Install the three lampshades according to steps a-c of five lamps, place the lamp on the lamp disc, and tighten the fixed ball over.

