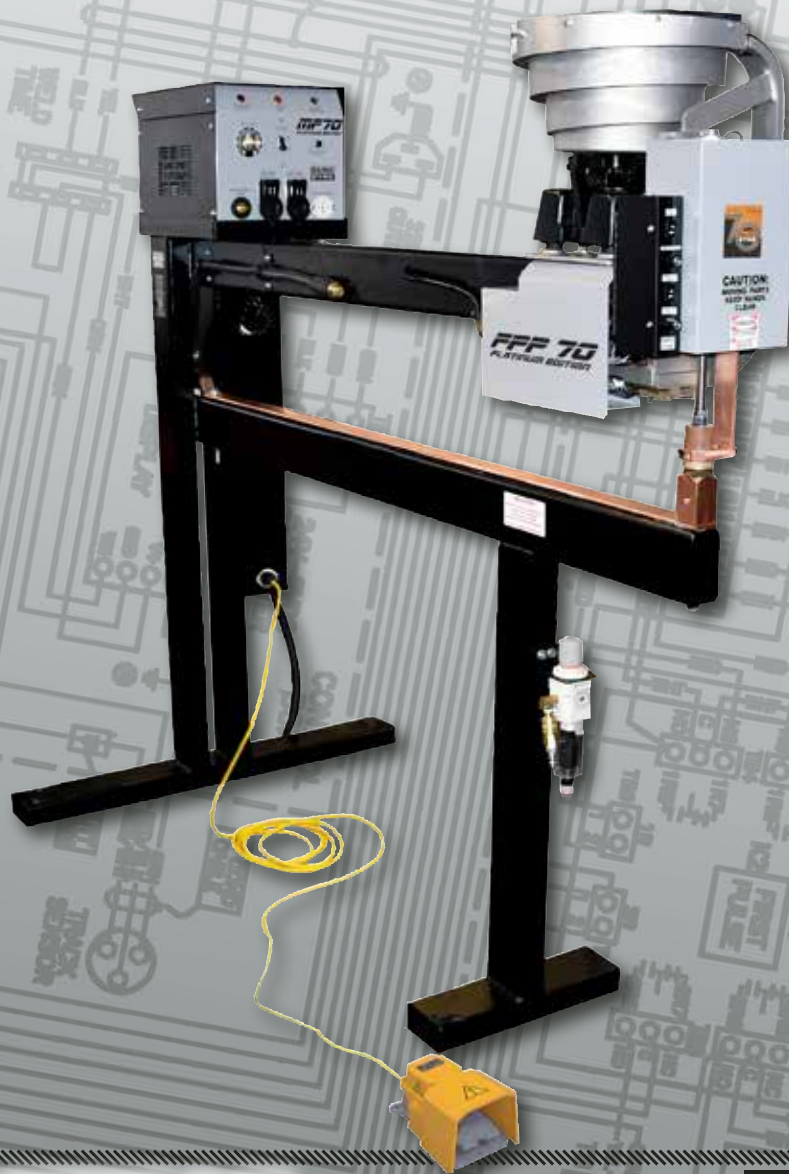


FFP 70

PLATINUM EDITION

**AUTOMATIC BULK FEED
5FT. CONVERSION PLATFORM
ITEM #27181**



**OWNER'S
MANUAL**

**DURO
DYNE**

**MACHINERY
DIVISION**



INTRODUCTION

Duro Dyne is proud to introduce the bulk feed concept of our FPP70 Pinspotter. It will provide fast and efficient insulation fastening in your shop. The minimal material handling and utilization of welded clip pins will insure your shop of a cost efficient, quality product.

Trouble free service is the key to optimum production, and the FPP70, with proven solid state components located for easy access, makes preventative maintenance a breeze.

This manual is designed to be a guide to keeping your FPP70 operating at peak performance for years to come.

IMPORTANT

Always follow manufacturer's recommendations for proper safety and handling procedures for all materials used in conjunction with this machine as outlined in Manufacturer's Safety Data Sheet (MSDS) for each product.

LIMITED WARRANTY

Duro Dyne Machinery is manufactured by skilled mechanics, utilizing the latest production techniques. Each unit has been rigorously tested prior to packaging and shipment in order to ensure trouble-free operation.

Your Duro Dyne machine has a two year warranty against defects in material. Any component found to be defective will be repaired or replaced (at the manufacturer's discretion) at no cost if the faulty component is returned freight prepaid to the nearest Duro Dyne Service Department. The warranty does not apply to expendable parts or repairs or service due to improper maintenance or operation procedures.

Duro Dyne products have been engineered to maximize operator safety. Unauthorized modification of this product will void the warranty.

All warranty claims must be accompanied by a serial number, date of purchase and the name and address of the distributor it was purchased from.

TABLE OF CONTENTS

Installation Instructions	8
Introduction	2
Maintenance	8
Operation	8
Parts List	17
Parts Location	3-7
Servicing	13
Theory of Operation	12
Troubleshooting	13-17
Warranty	2
Wiring Diagrams	10-11

PARTS LOCATION

17049 Male Camlock

18024 FPP Rear
Ground Cable



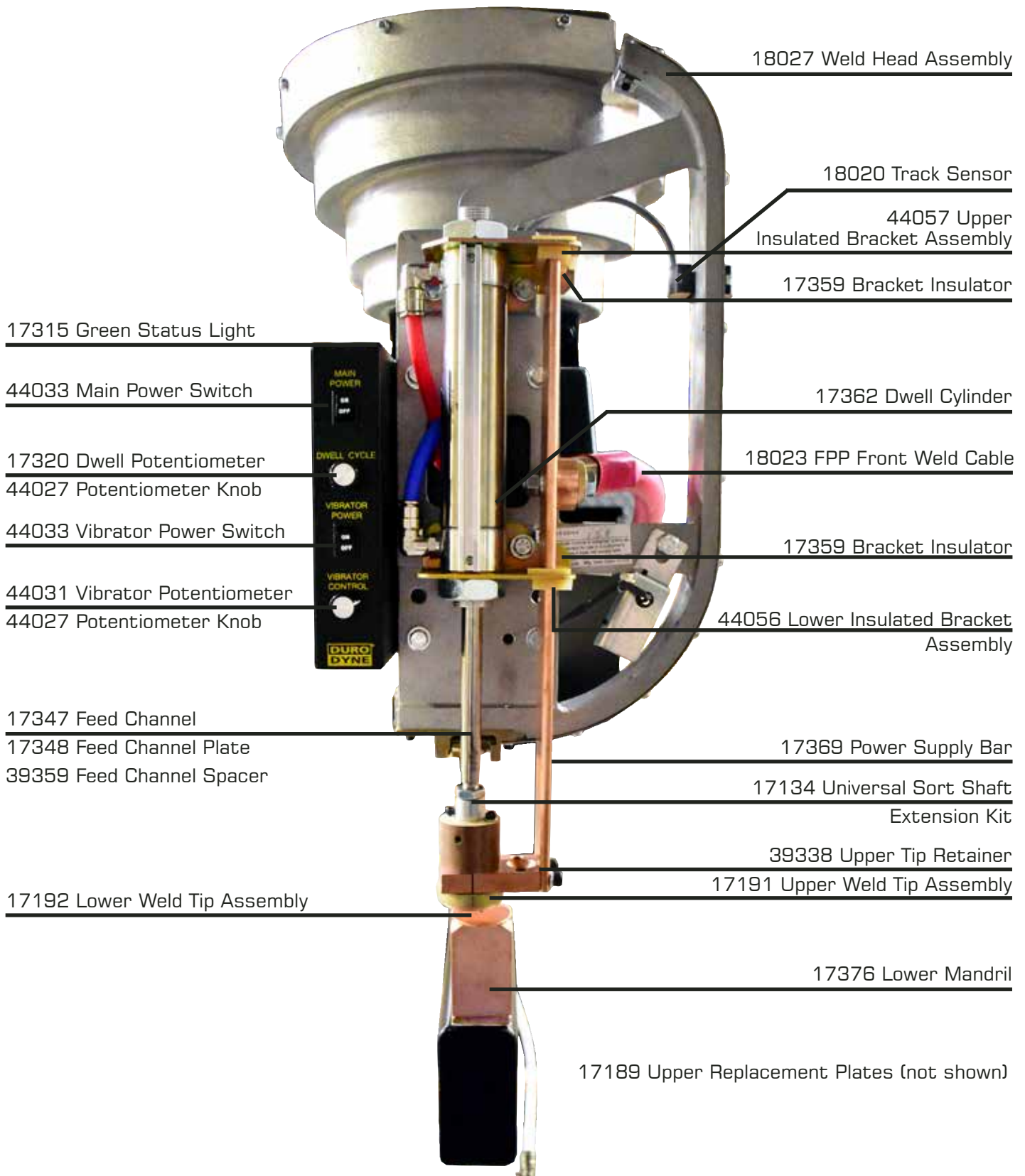
17377 Air Regulator

17372 Footswitch

17135 Lift Kit (Not shown)

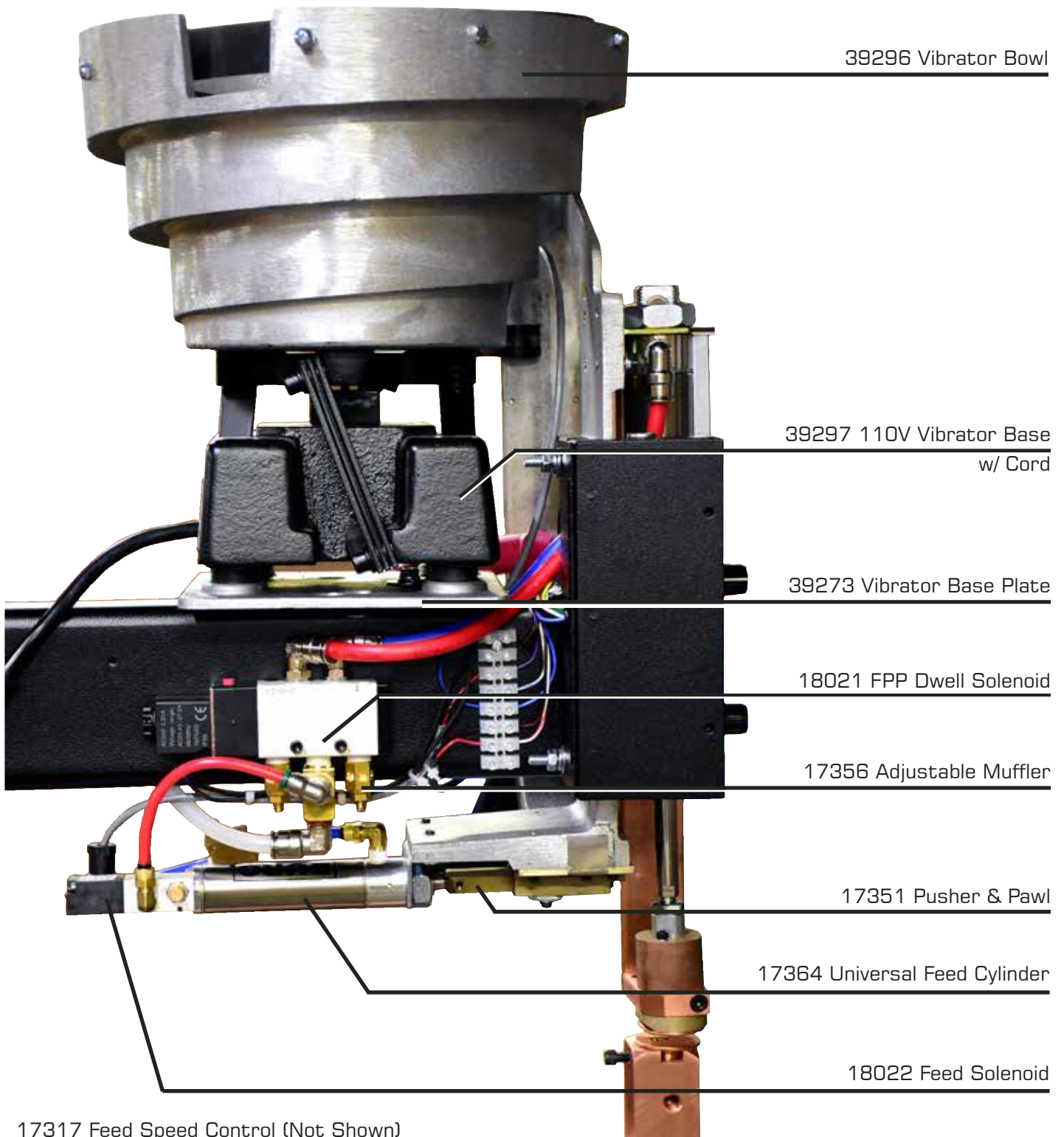
FRAME ASSEMBLY

PARTS LOCATION



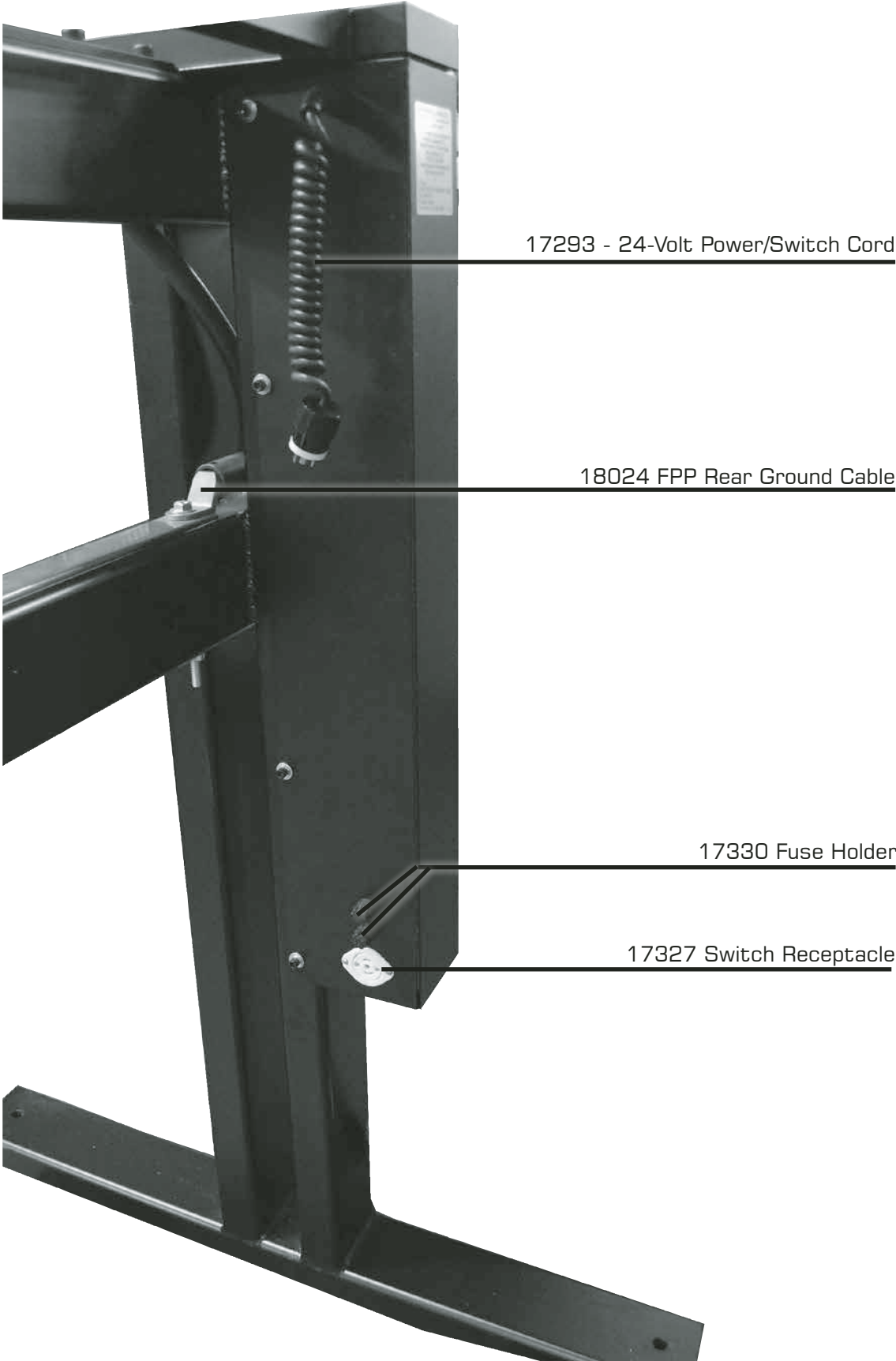
DWELL & FEED ASSEMBLY (1)

PARTS LOCATION



DWELL & FEED ASSEMBLY (2)

PARTS LOCATION



COMPONENT CHASSIS ASSEMBLY - EXTERNAL

PARTS LOCATION



44130 Laser Control PC Board

27353 22-12 Push-in Terminal Block
27355 22-12 Push-in Term Grnd Block

17323 First Pulse Relay

17323 Short Cycle Relay

17323 Feed Relay

17319 Dwell Timer

17318 Feed Timer

39060 Delay Feed Timer

44097 Solid State Vibrator Relay

17148 Vibrator Speed Control

17320 Dwell Potentiometer

39068 Receiver Board

44047 Power Contactor

18029 24V Multi-Tap Transformer

COMPONENT CHASSIS ASSEMBLY - INTERNAL

INSTALLATION INSTRUCTIONS

- 1) Connect FPP70 to a source 120 V 20 amp power
- 2) Connect MF70 (or MF12/12A) to 208-230 60 amp single phase.
- 3) Attach foot switch to foot switch socket on rear of FPP70
- 4) Connect air line to regulator. Adjust regulator pressure to 80-85 PSI.
- 5) Plug vibrator power plug into socket of FPP70
- 6) Connect 24 volt initiate weld cord from FPP70 to MF70 (or MF12/12A) Power/Switch Cord
- 7) Connect weld cables from FPP70 to MF70 (or MF12/12A) in either the high or low plug (based on application).
- 8) Connect the ground cable into the MF70 (or MF12/12A).

OPERATION - FPP70 INITIAL ADJUSTMENTS

- 1) Turn main power switch to "ON" on FPP70.
- 2) Turn vibrator switch to "ON" on FPP70.
- 3) Add clip pins to hopper (vibrator bowl)
- 4) Adjust vibrator speed so that clip pins climb spiral track inside vibrator bowl without vibrating off.
- 5) When clip pins fill the track right up to the sensor, the vibrator automatically shuts off.
- 6) Turn MF70 (or MF12/12A) power switch on.

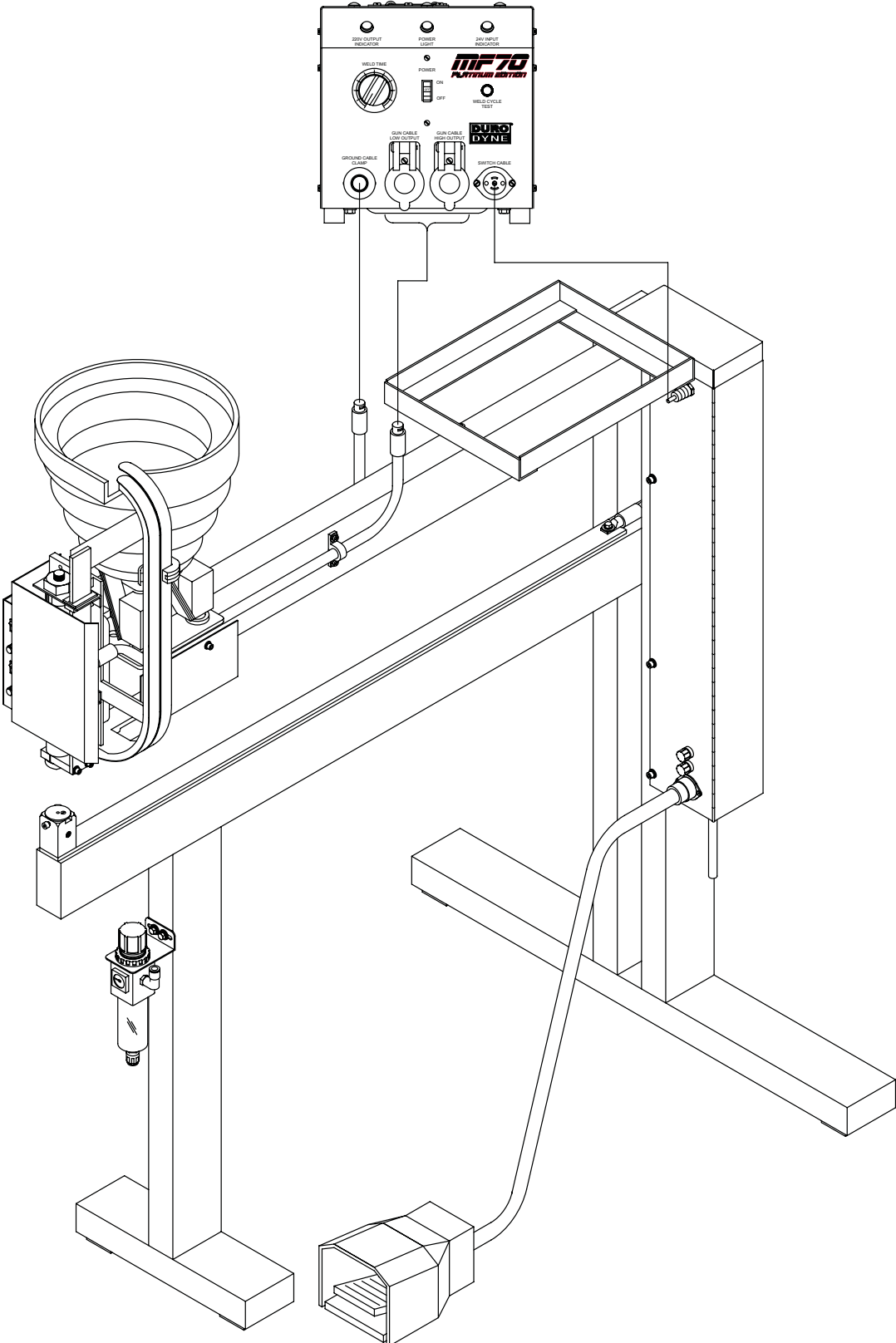
STARTING OPERATION

- 1) Never actuate unit without metal over ground bar or mandrel. For maximum weld quality metal should be in flat contact with mandrel adjacent table or roller on which sheet metal rests must either be exactly flush with or slightly below mandrel.
- 2) Weld Time on MF70 (or MF12/12A) and Dwell Cycle on FPP70 settings control weld quality of the Pin-spotter. Weld time is the length of the time the welding transformers are on. A fraction of a second is generally all the time needed for a quality weld. Unnecessary weld time not only wastes energy but can also burn up pins. (if pins glow red up to the washer, weld time is set too high) always set the weld timer to the minimum time required for a good weld. Dwell time is the length of time the welding tip remains in the down position. Always adjust the dwell timer to a setting slightly longer than the weld timer so that the upper weld tip will remain down until the weld cycle has ended and the weld has had time enough to cool.
- 3) Always "pre-test" a run with smaller pieces of the same gauge sheet metal thickness and liner density you intend to use in final production. Different densities and thicknesses of liner may require adjustments of the weld and dwell timer settings. For example: heavier gauge steel, thicker liner, higher density liner and/or longer clip pins may require longer weld and dwell time. To make sure, always pre-test and adjustment before you go into "finish production." But... only change weld and dwell timer settings when a change in materials results in poor weld performance or a poor quality weld.

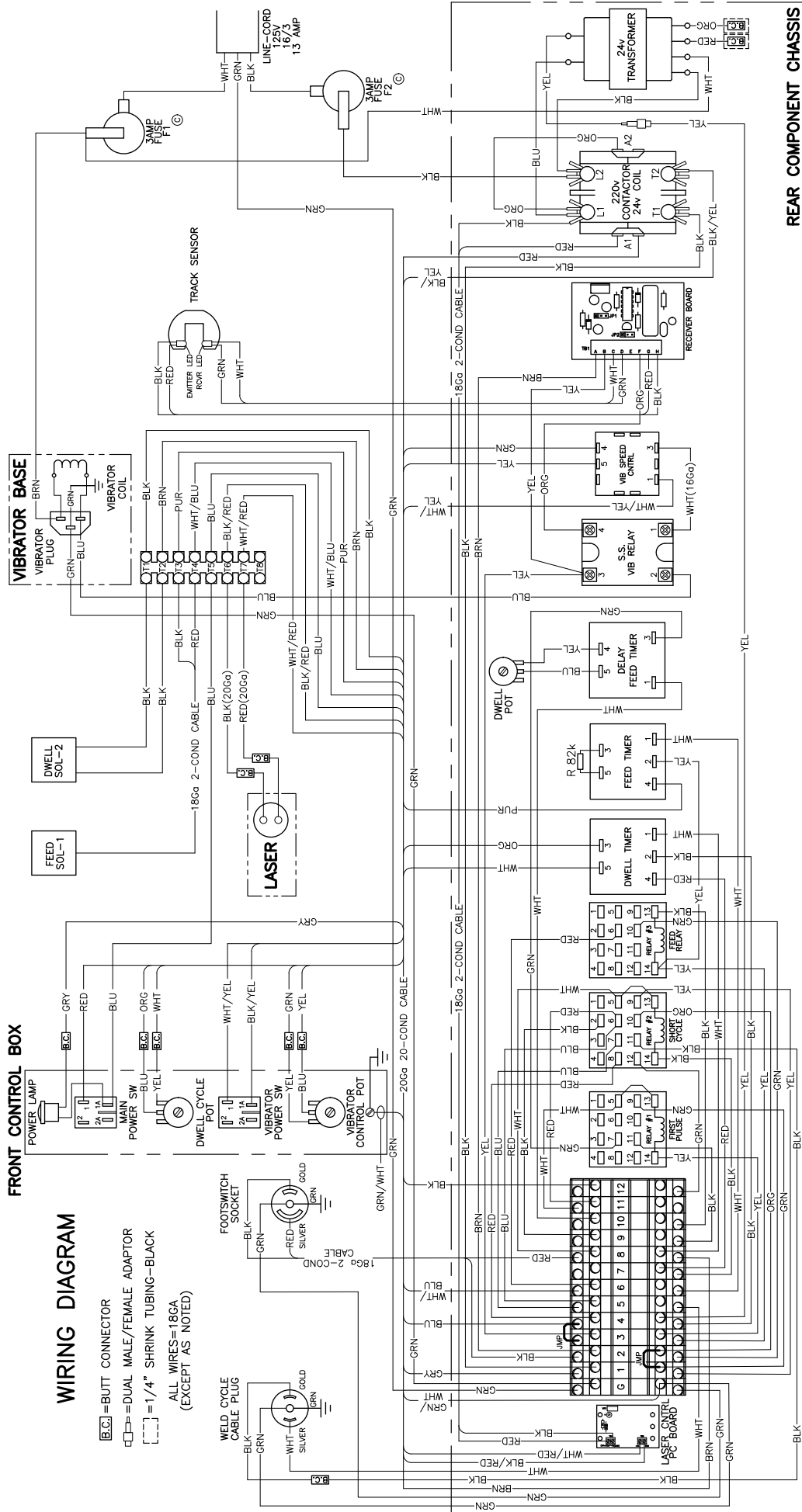
MAINTENANCE

- 1) To prolong weld tip life and improve weld quality, it is imperative that weld tips always be kept clean. For best results, use a solvent to remove adhesive from tips; and a fine emory cloth to smooth tip surfaces.
- 2) When lower weld tip becomes worn in one area, loosen the locking cap screw and rotate the point of wear away from the point of contact of the tip. If this cannot be done because the lower weld tip is too badly pitted. Additional lower weld plates can be ordered from your local distributor.
- 3) Depending on usage and maintenance, upper welding tip plate will have to be periodically replaced. Replacement weld tip plates can be ordered from your local distributor. To replace the upper weld tip, loosen the locking cap screw and remove the weld tip. Remove plate by loosening three (3) brass screws. Throw away screws and attach new plate to tip using three brass screws supplied. Be sure to match angled section of the plate with undercut running parallel to frame, then lock tip in place. Cycle machine to check feeding
- 4) If feeding is erratic, re-adjust upper weld tip height by loosening lock nut and then turning weld cylinder shaft clockwise to raise tip; counterclockwise to lower tip. Lock tip in place with locking nut.

FPP70 DRAWING



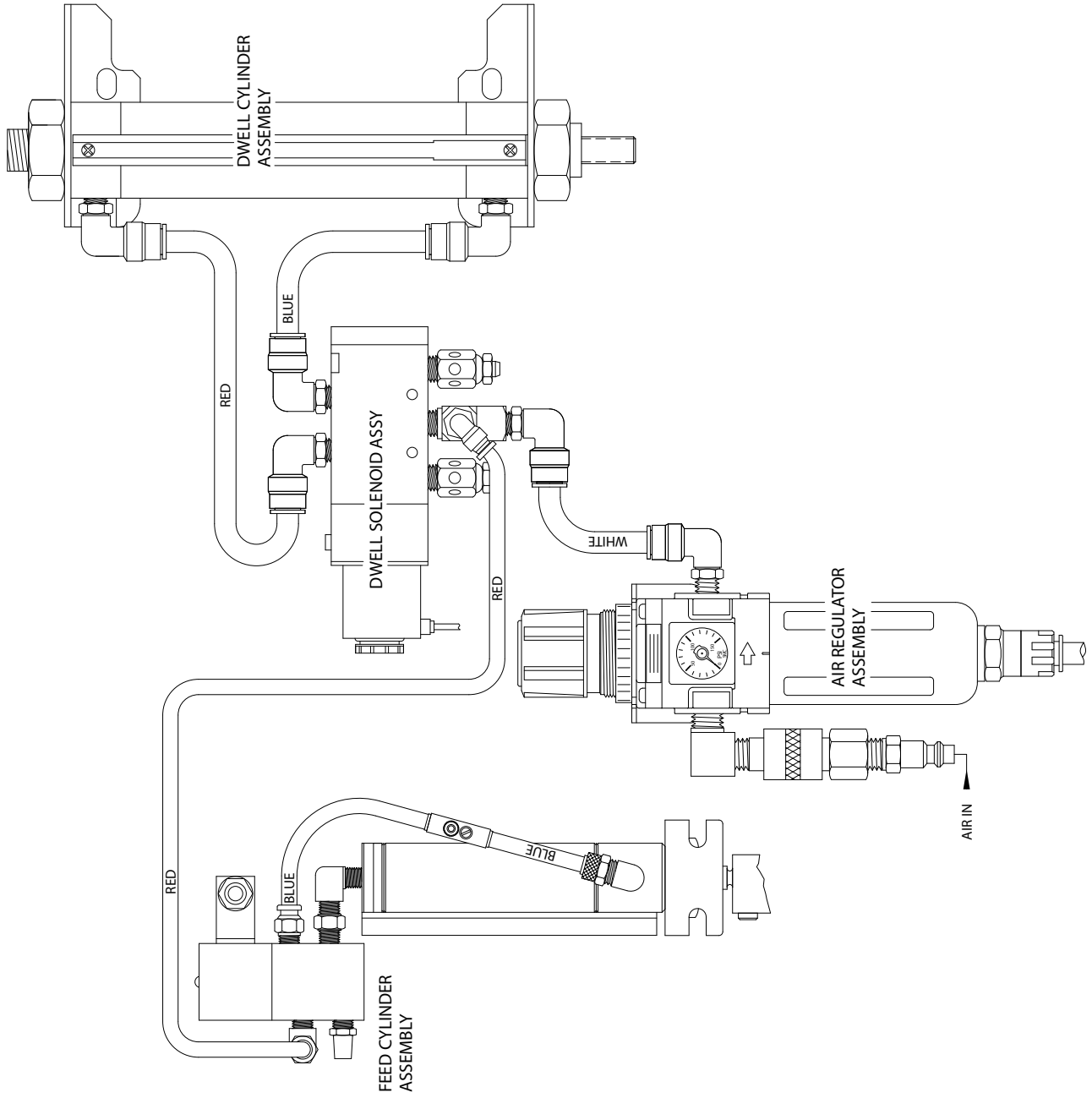
FPP70 WIRING DIAGRAM



WIRING DIAGRAM

- [B.C.] = BUTT CONNECTOR
- [□] = DUAL MALE/FEMALE ADAPTOR
- [] = 1/4" SHRINK TUBING-BLACK
- (ALL WIRES=18GA EXCEPT AS NOTED)

FPP70 PNEUMATICS DIAGRAM



FPP70 BASIC PINSPOTTER FUNCTION

The **FPP70** is a 110 volt insulation fastening machine designed for use in the HVAC industry. A welding power source is not included with the **FPP70**. The **FPP70** is fully assembled for pneumatic and electronic control including;

1. Weld pin feeder and bowl for weld pins up to 2 inches long.
2. Weld pin feed track.
3. Weld pin feed track sensor.
4. Electronic component chassis assembly.
5. Main power, Vibrator power and Dwell cycle control box assembly.
6. Upper weld tip assembly.
7. Lower weld tip assembly.
8. Foot pedal weld activation.
9. Air regulator assembly.
10. Compact 5 foot throat welded frame.

The **FPP70** is to be used in conjunction with the Duro Dyne portable MF70 (or MF12/12A) pinspotter. Portable hand held welding gun pin spotter as a welding power source (208-230 volt 60HZ) single phase 60 amp service. The **FPP70** can be purchased with the MF70 (or MF12/12A) or without for Duro Dyne customers who may have previously purchased a Duro Dyne portable MF70 (or MF12/12A) pinspotter.

The **FPP70** receives a welding power source from the MF70 (or MF12/12A) after the MF70 (or MF12/12A) is placed on to the **FPP70** mounting frame weldment and the MF70 (or MF12/12A) (after removing the hand gun and ground clamp cam locks) is connected to a 208-230 volt 60HZ, single phase 60 amp service. The MF70 (or MF12/12A) welding source will transfer power to the **FPP70** by means of connecting the **FPP70** Front and Rear Weld Cable Cam locks and the 24 volt Power/Switch cable to the MF70 (or MF12/12A).

Description of how pin spotters currently perform in the HVAC Industry

Pin spotting insulation fastening machines currently perform in the HVAC industry as follows:

Typically pin spotting insulation fastening machines are manufactured with a transformer or a series of transformers designed to supply the pin spotting machine with a welding power source operating within the following theory.

Pinspotter Machine theory of operation

SERVICING

A SIMPLIFIED STEP-BY-STEP PROCEDURE

Duro Dyne has called upon its many years of pin spotting experience in designing the FPP70. Your unit has been rigorously factory tested and inspected to provide many years of dependable service.

Your Owner's Manual is designed to help you quickly and systematically isolate, identify and correct most problems. Trouble-shooting procedures are grouped according to symptoms in three functional areas Feed and dwell, Vibrator, and Weld Quality.

AS EASY TO USE AS 1-2-3!

To use the manual properly, you simply:

- 1) Identify symptom(s)
- 2) Turn to the appropriate guide section
- 3) Follow the test procedures in that section in sequence

With the help of this guide, you should be able to correct most problems that occur. However, if you feel that a particular problem is beyond your capability, by all means, contact Duro Dyne Technical Service.

WHAT TO DO BEFORE YOU BEGIN TROUBLE SHOOTING CONSULT THE MANUAL

Most of the functional problems that occur are due to an oversight in the set up, operational or normal maintenance procedures, you should recheck all "Set Up", "Initial Adjustment", "Operation" and "Maintenance" procedures.

INSPECT THE UNIT

If the problem still persists, the next step is careful visual inspection. Turn off the electricity-that is, disconnect your FPP70 from its power supply and carefully check control box for loose, broken or disconnected wires. Also check the air circuit for leaky air connections or cut hoses.

TROUBLE SHOOTING SECTION

The following pages show basic symptoms of malfunction, possible problems that could be causing it and the action you can take to rectify the problem.

Our Technical Service department is also available to answer any questions you may have.

Toll Free: 1-800-899-3876
Mon - Fri. 8:00 am - 5:00 PM EST

Duro Dyne Technical Service also has extended on call service hours. Between the hours of 7:00 am-8:00 am and 5:00 pm-7:00 pm, please call 1-800-899-3876, select option #4 and leave a detailed message with your name, number, and the reason for your call. A technician will respond to your call within 15-20 minutes.

Technical Service can also be reached via email at techserv@durodyne.com. Any emails received between 7:00 am and 7:00 pm EST will be emailed or called back within 15-20 minutes.

#1 MACHINE DOES NOT OPERATE - NO POWER INDICATOR

POSSIBLE PROBLEM	ACTION
(A) Incoming power supply.	(A) Check the incoming power (120vac) at terminals L2 on the Power Contactor and Fuse #2. If 120vac is not present check fuses and power supply. If 120vac is present go to step B.
(B) Power Contactor.	(B) Check the voltage (24vac) at the coil of the contactor in the component module. If the voltage is present, check voltage (24vac) at terminals 1 and 4 on the terminal strip. If voltage at the contactor coil is present and terminals 1 and 4 have no voltage replace contactor, if voltage at contactor coil is not present proceed to step C.
(C) Main Power Switch.	(C) Check the Main Power Switch terminals 1a and 2a on the Control Console. Terminals 1a and 2a should have 24vac when the switch is "OFF", and 0vac when the switch is "ON". If the voltage stays 24vac replace the switch. If the voltage stays 0vac proceed to step D. (*NOTE* 1a and 2a can be jumped, also the Main Power Switch is a DPST switch that is only using one set of contacts, if the switch is not working the unused contacts can be used to see if it works*)
(D) 24VAC Transformer.	(D) In the Component Module, check the transformer primary input voltage (120vac) at terminal L2 on the Power Contactor and Fuse 2. Check the secondary voltage (24VAC) at the coil of the Contactor. If the voltage at the coil is not present and step (C) is correct replace the Transformer.

#2 MACHINE DOES NOT OPERATE - POWER INDICATOR ON

POSSIBLE PROBLEM	ACTION
(A) Footswitch.	(A) Check the voltage (24VAC) at terminals 4 and 8 in the Component Module while depressing the Footswitch. This voltage reading should go from 0vac to 24vac. If the voltage reading is not correct replace or repair the Footswitch.
(B) Dwell Timer.	(B) Turn the Dwell time to the highest setting and check the voltage (24vac) at terminals 8 and 9 in the Component Module. This voltage should come on then go off (0vac-24vac-0vac) every time the Footswitch is depressed. If this voltage reading is not correct replace the Dwell Timer.
(C) Short Cycle Relay.	(C) Turn the Dwell to the highest setting and check the voltage (24vac) at terminals 7 and 8 in the Component Module. This voltage reading should go from 0 to 24vac and then back to 0 every time the Footswitch is depressed. If this voltage reading is not correct recheck the symptom. Now do this same procedure at terminal 8 and 12 in the Component Module, if the voltage reading is incorrect replace the Short Cycle Relay.
(D) Air Pressure, Adjustable Exhaust Muffler, and Dwell Cylinder	(D) Check Air Regulator for proper setting (80psi). Now press the test button located on the Dwell Solenoid Body. If the Dwell Cylinder does not operate check the Adjustable Exhaust Mufflers on the Dwell Solenoid for proper adjustment. If the mufflers are closed or restricted it will not allow the Dwell Cylinder to operate. Also check the cylinder by turning the air off and then move the shaft up and down. The shaft should move freely. If the mufflers (these mufflers control the speed of the up and down motion on the cylinder) are properly adjusted and have no restrictions and the Dwell Cylinder operates when the test button is pressed proceed to step (B).
(E) Dwell Solenoid.	(E) Turn the Dwell time to the highest setting and check the voltage (24vac) at terminals 8 and 12 in the Component Module. The voltage reading should go from 0 to 24vac and back to 0 every time the Footswitch is depressed. If this voltage reading is correct replace the Dwell Solenoid. (*NOTE* before replacing the Dwell Solenoid check the wires going into the plug of the Dwell Solenoid*)

#3 PIN FEED PROBLEMS

POSSIBLE PROBLEM	ACTION
(A) First Pulse Relay. (Coil)	(A) The First Pulse Relay should engage the first time the machine cycles and should stay engaged until the power is turned off. To check the first Pulse Relay jump terminals #1 to #10 in the trolley. With this jumper in place and the power on check the voltage (24VAC approx) at terminals #3 and #10. If voltage is present and the Relay is engaged (the Indicator on the Relay is on) proceed to step (B). If the voltage is present and the Relay is not engaged (No indicator on the Relay is off) replace the First Pulse Relay.
(B) First Pulse Relay. (Contacts)	(B) If the Relay is engaged (the Indicator on the Relay is on) check the voltage (24VAC approx) at the terminals #3 and #11 in the Component Module. If the voltage is not present replace the First Pulse Relay. If the voltage is present proceed to the next step.
(C) Feed Timer	(C) The Feed Timer activates the Feed Solenoid. In the Component Module check the voltage (24VAC approx) at terminal #1 and #4 on the Feed Timer. The voltage at terminal #1 and #4 should go from 0 to 24VAC and back to 0 on every cycle. If this voltage reading is incorrect replace the Feed Timer. If the voltage reading is correct proceed to the next section. (This voltage is only present for 150ms. Some voltmeters may not react fast enough to see this voltage)
(D) Feed Solenoid, Feed Cylinder, and Pusher With Pawl.	(D) The Feed Solenoid controls the Feed Cylinder. To test the Feed Solenoid check the voltage (24VAC approx) at terminals #1 and #4 on the Feed Timer in the Component Module. Terminals #1 and #4 should go to 24VAC and back to 0 on every cycle. If correct turn power and air off. Now try to move the Pusher With Pawl in and out. The Pusher With Pawl should move easily. If so, replace the Feed Solenoid. If not, check for jammed weld pins in the Feed Channel or for a damaged Feed Cylinder. Also check the Feed Speed Control, (located on the air line going to the Feed Cylinder) for proper adjustment.

#4 FEED CYLINDER DOES NOT RETRACT

POSSIBLE PROBLEM	ACTION
(A) Feed Timer: Feed Cylinder does not retract.	(A) Remove the push-on connector from terminal #4 of the Feed Timer. If the Feed Cylinder retracts replace the Feed Timer. However, check 82K resistor on terminal 3 & 5 of the timer first to see if broken or loose. If resistor broke, replace resistor.
(B) Feed Cylinder or Pusher With Pawl.	(B) Turn the power off and inspect the Feed Cylinder for air leaks. If there are no air leaks turn the air off and slide the Pusher With Pawl in and out. The Pusher With Pawl should go in and out with just a slight restriction.
(C) Feed Solenoid.	(C) To check the Feed Solenoid turn the power off. If the Feed Cylinder does not retract and step (A) above is correct replace Feed Solenoid.

#5 FEED COLLIDES WITH DWELL

POSSIBLE PROBLEM	ACTION
(A) Feed Delay Pot and Dwell Cylinder Adjustable Muffler	(A) The feed cycle is a timed circuit. The Feed Delay Timer is set to hold the feed signal until the Dwell Cylinder is fully retracted. If the Feed Delay Pot or the Adjustable Muffler for the Dwell Cylinder up-stroke are adjusted, this can cause the Feed Cylinder and Dwell Cylinder to collide.

#6 SLUGGISH MOVEMENT OF THE FEED

POSSIBLE PROBLEM	ACTION
(A) Feed Speed Control	(A) Readjust the Feed Speed Control located on the air line going to the Feed Cylinder.
(B) Air Lines	(B) Check Air Lines for leaks or water. If there is water in the air lines, disconnect and blow out the Air Lines. Remove and clean out the adjustable exhaust mufflers. Reconnect the Air Lines and the Adjustable Exhaust Mufflers.
(C) Feed Cylinder	(C) Turn the power and air off. Check the Feed Cylinder and the Pusher with Pawl for binding. Move the Pusher with Pawl in and out. The pusher with pawl should move in and out with a slight resistance.
(D) Feed Solenoid	(D) If the above procedures check out and the Feed still has sluggish movement the problem may be the Feed Solenoid. Remove the Air Line from air inlet of the solenoid and spray a light oil into the solenoid. Reconnect the Air Line and cycle the machine. If the Feed still has sluggish movement replace the Feed Solenoid.

#7 FEED DOES NOT PLACE WELD PIN ON UPPER WELD TIP

POSSIBLE PROBLEM	ACTION
(A) Feed Speed Control.	(A) If the Feed Speed Control is open too much it may throw pins past the Upper Weld Tip. Adjust Feed Speed Control so that it places the pin on the Upper Weld Tip.
(B) Upper Weld Tip	(B) Check the Upper Weld Tip for magnetism. Place a weld pin under the Upper Weld Tip. If the tip does not retain the pin or the magnets feel weak replace the Upper Weld Tip.
(C) Pusher with Pawl	(C) The pawl (hinged part) on the pusher may be damaged or missing. If so replace the Pusher With Pawl.
(D) Upper Tip Height	(D) Adjust weld tip by loosening the jam nut on shaft of Dwell Cylinder. Turn shaft to raise or lower weld tip. Weld should be at the same height as the ceiling of the feed channel.

#8 DWELL CYLINDER DOES NOT RETRACT

POSSIBLE PROBLEM	ACTION
(A) Dwell Timer	(A) Remove the push-on connector from terminal #4 of the Dwell Timer. If the Dwell Cylinder retracts replace the Dwell Timer.
(B) Dwell Solenoid	(B) Turn the power off. (If the Dwell Cylinder shaft retracts, recheck the symptom). Now try and lift the Dwell Cylinder shaft up. If the cylinder shaft cannot be lifted replace the Dwell Solenoid.
(C) Dwell Cylinder	(C) If the Dwell Cylinder shaft can be lifted easily check the Dwell Cylinder and the air lines for air leaks. Turn the air off and then move the cylinder shaft up and down. If the cylinder shaft moves up and down without any air resistance the seals in the cylinder are most likely worn. Replace the Dwell Cylinder. If a slight air resistance is present on the up and down motion check the Quick Exhaust Valve.

#9 DWELL CYLINDER SLUGGISH MOVEMENT

POSSIBLE PROBLEM	ACTION
(A) Quick Exhaust Valve	(A) The quick exhaust valve is a pneumatic check valve. To check the Quick Exhaust Valve, disassemble the valve and inspect the conical shaped diaphragm for any tears. If any damage is noted, replace the Quick Exhaust Valve or repair it with a repair kit (part # 17078).
(B) Air Regulator	(B) Adjust the Air Regulator (80 psi).
(C) Air lines and adjustable Exhaust Mufflers	(C) Check Air Lines for leaks or water. If there is water in the Air Lines, disconnect and blow out the Air Lines. Remove and clean out the Adjustable Exhaust Mufflers. Reconnect the Air Lines and the Adjustable Exhaust Mufflers.
(D) Dwell Cylinder	(D) Turn the power and air off. Check the Dwell Cylinder shaft for binding by moving the shaft in and out of the cylinder. A slight air resistance should be present when the shaft is being moved in and out of the cylinder.
(E) Dwell Solenoid	(E) If the above procedures check out and the dwell cylinder still has sluggish movement, the problem may be the Dwell Solenoid. Remove the Air Line from air inlet of the solenoid and spray a light oil into the solenoid. Reconnect the air line and cycle the machine. If the Dwell Cylinder still has sluggish movement replace the Dwell Solenoid.

#10 PINS DO NOT WELD

POSSIBLE PROBLEM	ACTION
(A) Short Cycle Relay.	(A) The Short Cycle Relay controls the circuit that signals the MF70 or MF12/12A to turn it's weld on. To test the Short Cycle Relay place meter leads on the outside prongs of the 24 volt Power/Switch Cable Plug and test for continuity as the FPP70 is cycled. If continuity is NOT present, check for continuity at terminals 2 and 5 in the Component Module: If continuity is present: check Weld Cycle Plug for damage If continuity is not present: replace Short Cycle Relay *If continuity is present at 24 volt Power/Switch Cable Plug, refer to MF70 or MF12/12A manual.

#11 POOR WELD QUALITY

POSSIBLE PROBLEM	ACTION
(A) Weld Cable.	(A) Any secondary connection from the MF70 or MF12/12A to the weld tips can contribute to a poor quality weld. All the connections should be clean, bright and tight . The Weld Cable can break down from use. Always inspect the Weld Cable, all secondary connections and weld tips for they are the most common causes for a poor weld quality.
(B) Upper and Lower Welding Tips.	(B) Clean and Retighten
(C) Upper Tip Retainer.	(C) Clean and Retighten
(D) Female Camlock	(D) Clean and Retighten
(E) Flush Mount Camlock	(E) Clean and Retighten
(F) Power Supply Bar	(F) Clean and Retighten

#12 VIBRATOR DOES NOT VIBRATE AT ALL

POSSIBLE PROBLEM	ACTION
(A) Fuses	(A) Check the Fuses (Located on the rear of the Control Module. (120VAC)
(B) Vibrator Power Switch.	(B) Check the Vibrator Power Switch in the Control Console. (120VAC approx.)
(C) Vibrator Sensor and Receiver Board	(C) The Track Sensor controls the Receiver Board which controls the Vibrator Control Relay. Check the Track Sensor for the red LED. If the LED is not on, check the terminals G and H on the Receiver Board in the Control Module for the 12 V dc. If the voltage is present, replace the Track Sensor. If the voltage is not present at G and H, check for 24 V ac at terminals A and B. If the voltage is present at A and B, replace Receiver Board. If the LED is on, jump C and D on the Receiver Board. This should make the vibrator run. If the vibrator runs, check the line of sight through Track Casting. If the line of sight is good, replace the Track Sensor. If the vibrator still does not run, jump A and F on the Receiver Board. If the vibrator now runs, replace Receiver Board. If the vibrator still does not run, proceed to next step.
(D) Vibrator Relay	The Vibrator Relay is located in component module. To check the vibrator relay look for 24VAC at terminal #3 (yellow wire) and terminal #4 (orange wire) on the vibrator relay. If voltage is not present return to above steps. If voltage is present now test voltage (120VAC) at terminal #1 (white wire) on vibrator relay to terminal #T2 on contactor. If voltage is not present go to next step (E). If voltage is present now check voltage terminal #2 (blue wire) to terminal #T2 on contactor. If voltage is not present replace vibrator relay. If voltage is present check vibrator plug and cord.
(E) Vibrator Speed Control.	(E) In the Component Module, check for voltage (120 VAC approx.) at terminals #1 and #3 on the Vibrator Speed Control. If there is 120 VAC at terminals #1 and #3 replace the Vibrator Speed Control.
(F) Vibrator Coil.	(F) Measure the resistance at the plug (two outside pins) of the Vibrator Base. The resistance reading should be approximately 4.5 ohms. If this reading is not correct replace the Vibrator Coil.

#13 VIBRATOR VIBRATES BUT NOT ENOUGH TO MOVE WELD PINS

POSSIBLE PROBLEM	ACTION
(A) Vibrator Speed Control.	(A) To test the Vibrator Speed Control place your hand on the Vibrator Bowl and watch the Vibrator Sensor Indicator. Now adjust the Vibrator Speed Control from slow to fast and back. If you feel no change in the intensity on the bowl or see any change in the intensity on the Vibrator Sensor Indicator, replace the Vibrator Speed Control located in the Control Console. If a change in the intensity is present, contact Duro Dyne Technical Support.

NOTES:

1. Check that the Air Regulator is set for 80 psi. Mounted on the top of the Trolley are two Adjustable Exhaust Mufflers. The front one adjust the speed of the Dwell Cylinder moving down and the rear one adjust the speed up. These mufflers can become restricted or loose. If machine is sluggish or starts slamming down, adjust these mufflers accordingly.
2. Mounted on the Feed Cylinder is a Feed Speed Control. The Feed Speed Control adjusts how fast the Pusher with Pawl moves in and out. If adjusted too fast the pins may be tossed past the tip, if adjusted too slow the pins will not be placed on the tip.

FPP70 PARTS LIST

ITEM #	DESCRIPTION	ITEM #	DESCRIPTION
17049	Male Camlock	18023	Front Weld Cable
17134	Universal Short Shaft Extension Kit	18024	Rear Ground Cable
17135	Lift Kit	18025	Feed Cylinder Guard
17148	Vibrator Speed Control	18026	Dwell Cylinder Guard
17189	Upper Replacement Plates - Unplated	18027	Weld Head Assembly
17191	Upper Weld Tip - Unplated	18028	3 Amp Fuse
17192	Lower Weld Tip - Unplated	18029	24V Multi-Tap Transf
17269	Feed Cylinder Bracket	18031	Upper Replacement Plates - Plated
17293	24V Power/Switch Cord	18032	Lower Replacement Plates - Plated
17317	Feed Speed Control	18033	Upper Weld Tip - Plated
17318	Feed Timer	18034	Lower Weld Tip - Plated
17319	Dwell Timer	27315	24V Green Light
17320	Dwell Potentiometer	27353	22-12 Push-in Terminal Block
17222	Terminal Strip	27355	22-12 Push-in Term Grnd Block
17323	First Pulse Relay	39068	Receiving Board
17323	Short Cycle Relay	39273	Vibrator Base Plate
17327	Switch Receptacle	39296	Vibrator Bowl
17330	Fuse Holder	39297	110V Vibrator Base w/cord
17347	Feed Channel	39338	Upper Tip Retainer
17348	Feed Channel Plate	39359	Feed Channel Spacer
17351	Pusher & Pawl	44027	Weld/Vibrator Potentiometer Knob
17356	Adjustable Muffler	44031	Vibrator Pot
17359	Bracket Insulator	44033	Main Power Switch
17362	Dwell Cylinder	44033	Vibrator Power Switch
17364	Universal Feed Cylinder	44047	Power Contactor
17369	Power Supply Bar	44056	Lower Insulated Bracket
17372	Foot Switch	44057	Upper Insulated Bracket
17376	Lower Mandrel	44097	Vibrator Control Relay
17377	Air Regulator	44129	Class-1 Laser
18020	Track Sensor	44130	Laser/Control PC Board
18021	Dwell Solenoid	44131	Laser/Control PC Board Kit
18022	Feed Solenoid		

NOTES



Please Visit Our Website
www.durodyne.com

for the most up to date product information.



MACHINERY DIVISION
© 2022 Duro Dyne Corporation
Printed in USA 2/7/2022
BI027411

Duro Dyne Corporate Headquarters, Bay Shore, NY
631-249-9000 • Fax: 631-249-8346
Duro Dyne Midwest • Duro Dyne West • Duro Dyne Canada
www.durodyne.com • E-mail: durodyne@durodyne.com