

TJK Assembly Instructions

CARTON CONTENTS

Please check to be sure that all parts are included before proceeding with assembly. Contact your local dealer if any parts are missing.

Note: The grill is partially assembled. The Burner, Spider Guards, Venturis, Ignitor Collector Box and the Stainless Steel Handle are installed. Also, for LP units the Gaslow Regulator and Hose are installed.

MODEL TJK Grill

<u>Parts</u>	<u>Quantity</u>
Top Lid Assembly	1
Bottom Casting (Grill Head)	1
Warming Rack	1
Bottom Grate	1
Stainless Steel Cooking Grids (SearMagic 3)	2
Control Panel Brackets	2
Heat Shield	1
Grease Cup Holder	1
Control Panel Assembly	1
Valve Control Knobs	2
Ignitor Button	1
Stainless Steel Side Shelf Kit	2
Side Shelf Bracket	2
Venturi Tube Cleaning Brush	1
Bag of Briquettes (67 pieces)	1
Lid Mounted Heat Indicator	1
AAA Battery	1
Forked Grid Cleaning Tool (SearMagic Only)	1

MODEL TJK GRILL

<u>Hardware</u>	<u>Quantity</u>
Connecting Wire for Ignitor	1
1/4-20 x 1 1/2" Rd. Hd. Sltd. Bolt	2
1/4-20 x 1 1/4" Rd. Hd. Sltd. Bolt	4
10-24 x 1 1/4" Rd. Hd. Bolt	8
1/4-20 x 3/4" Hex Head Bolt	3
1/4-20 x 1/2" Rd. Hd. Sltd. Bolt	2
10-24 KEP Nut	8
1/4-20 KEP Nut	11
Lid Pivot Pin	2

Grill Head Assembly Instructions

- *The grill head bottom must be attached to the mount before starting.*
- *It is easiest to work with the grill in the upright position.*
- *Leak test all gas connections before using.*
- *Caution: Combustible material should never be within 18 inches of the bottom, back or sides of your MHP Gas Barbecue Grill.*

IMPORTANT: Most of the TJK Model major component assembly is the same as the JNR/WNK Models. Please refer to the JNR/WNK assembly instructions as indicated.

Step 1: Control Panel & Heat Shield

(See JNR/WNK instructions on page 15, Fig. 19 & 20)

Step 2: Connect The Gas Supply Line

(See JNR/WNK instructions, item D on page 17, Figs. 25-28)



Continue on following page. →

TJK Assembly Instructions

Fold Down Shelf Parts

4 ea 1/4 x 2 0 x 3/4B olts



4 ea 1/4 x 20 Kep Nuts



4 ea 10 x 24 Nylock Nuts



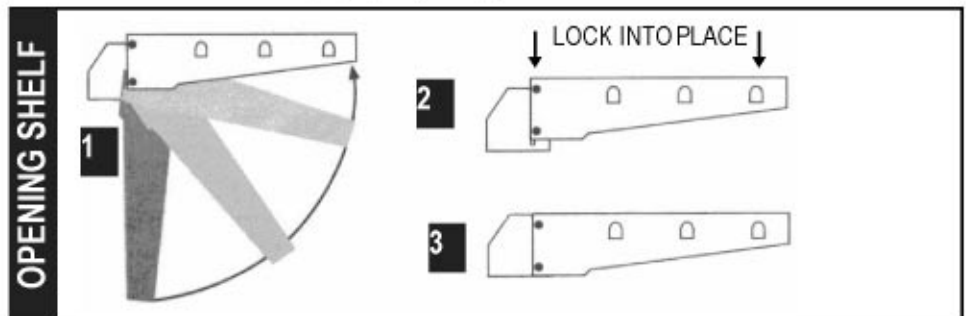
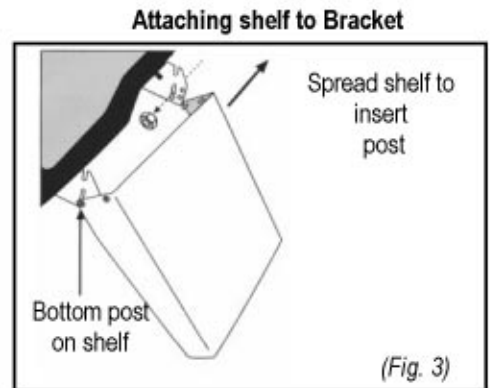
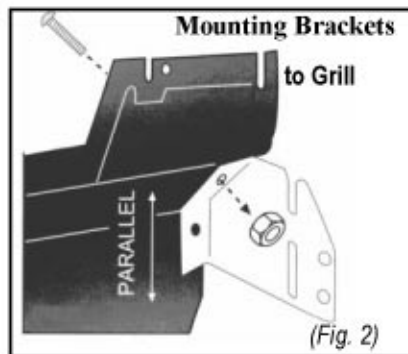
2 ea Right Brackets



2 ea Left Brackets



2 ea Shelves



STEP 1

MOUNTING BRACKET TO GRILL (Fig. 1 and 2)

Attach Brackets to grill using **bolts** and **kep nuts** (1 bolt per bracket). Tighten nuts while making sure brackets are parallel with grill.

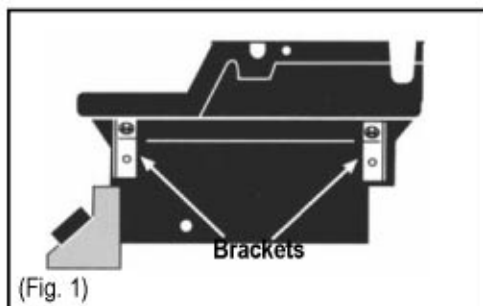
STEP 2

ATTACHING SHELF TO BRACKET (Fig. 3)

Place the left bottom **shelf** post into the left bottom **bracket** slot. Gently spread the **shelf** apart to insert the right bottom **shelf** post into the right bottom **bracket** slot. Secure bottom posts with **Nylock Nut**—making sure nuts are snug but **don not** restrict movement of folding and unfolding of the shelf.

Note: Top posts on shelf do **NOT** use nuts.

Side View of Grill



Step 4: Attaching the Grill Lid

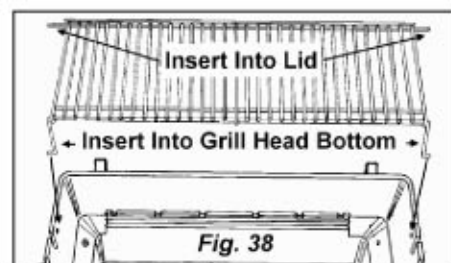
(See JNRWNK instructions on page 18, Fig. 30.)

Step 5: Grates, Briquettes and Cooking Grids

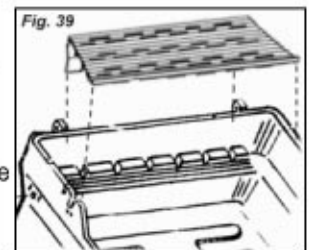
(See JNRWNK instructions on page 18, Fig. 32)

Step 6: Warming Rack (Fig. 38 & 39)

1. The Warming Rack connects to the grill lid and the grill head bottom. First, insert the right Top and Bottom Rods into their respective mounting holes on right side of the grill lid and grill head bottom. Then slide the RACK to your left, positioning the left Top and Bottom Rods into their respective mounting holes simultaneously. The Lower Right Rod End can then be "popped" into place by flexing it inward.



2. The SearMagic Warming Rack drops onto the top edge of the grill head bottom. The warming rack bracket is positioned between the hinges of the grill head bottom inside back wall.



Before using your grill, leak test all gas line connections. And follow the lighting instructions. See page 23.