

YOUR AUTHORIZED CONTINENTAL DEALER



FULL VIEW CAX SERIES

CAX36

DIRECT VENT GAS FIREPLACE

CONTINENTAL

P: 1-866-820-8686
continentalcomfort.com



Consult your owner's manual for complete installation instructions, accurate framing dimensions and proper clearances to combustible material. Check all local and national building codes. All specifications are subject to change without prior notice due to on-going product improvements. Products may not be exactly as shown

Build **Quality**, Build **Confidence**.
continentalcomfort.com



CONTINENTAL

CAX36

Full View Fireplace

A clean face design that offers an optimum view of the fire

Ultra-HD Premium Log Sets

Featuring two realistic log sets to choose from for more design customization: Oak and Driftwood

True Design Flexibility

True design flexibility is made possible with an optional industry-leading heat management system that allows you to install your television above

FEATURES

- Exclusive Top Light for an illuminated effect
- Premium remote included
- Full view safety barrier included
- Optional zen front and finishing trim available in black
- Five optional decorative brick panel kits available
- Heat is efficiently and silently circulated around the room instead of blowing directly from the front of the fireplace with Universal Heat Management
- Optional heat circulating blower
- Optional AMBIENT-GLOW metal fibers are designed to enhance the glowing embers on gas fires
- Additional size available - 42"

TRIM OPTIONS



Zen Front in Black



Finishing Trim in Black



Bevelled Trim



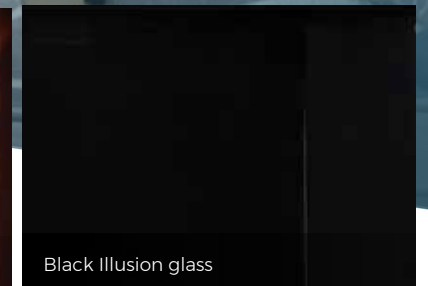
MEDIA OPTIONS



Oak Log Set



MIRRO-FLAME Porcelain Reflective Radiant Panels



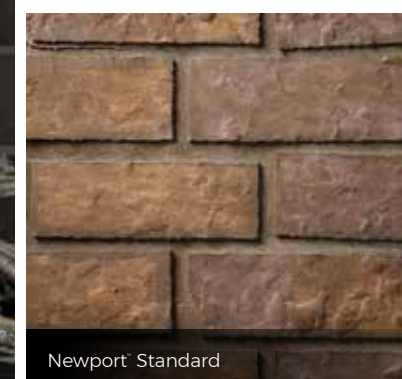
Black Illusion glass



Westminster Standard and Herringbone



Driftwood Log Set



Newport Standard



Included Remote (Proflame 2)

SPECIFICATIONS

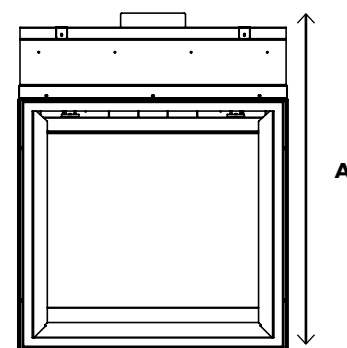
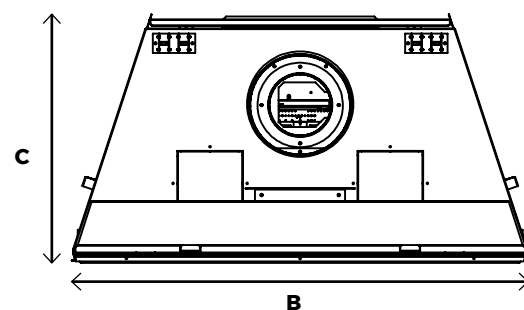
CAX36

BTU's (Input)	35,500
Venting	Top* 5"/8"
Glass Type	Ceramic
Mobile Home Certified	Yes

GLASS VIEWING AREA

Height	30 3/8"
Width	25" 1/16"

OVERALL UNIT		
A	B	C
42 3/16"	35 1/2"	18 3/4"



*Finishing flange depth (The finishing flange defines the perimeter of the fireplace opening). Framing or finishing materials must NEVER encroach inside the finishing flange.