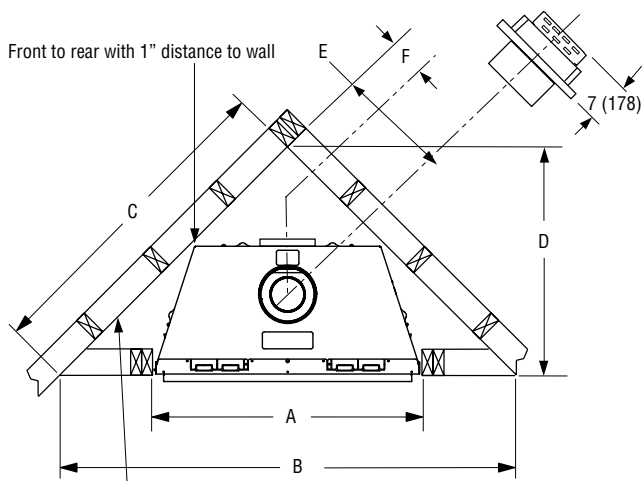


SCORPIO™ CD -C SERIES

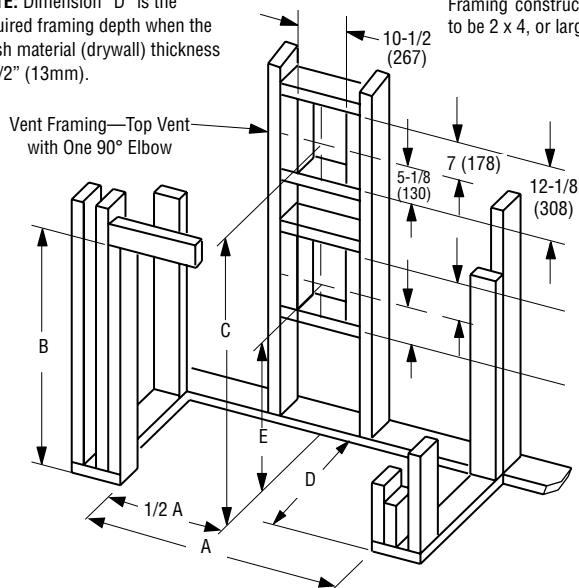
DIRECT-VENT FIREPLACES

NOTE: Dimension "D" is the required framing depth when the finish material (drywall) thickness is 1/2" (13mm).

Framing construction to be 2 x 4, or larger.



Back wall of chase/enclosure (including finishing materials)



NOTE: When in top vent mode - No combustible material shall be allowed to contact the rear flue cap/cover.

C = Minimum height of top vent installations
E = Minimum height of rear vent installations

Framing Dimensions

Inches (millimeters)

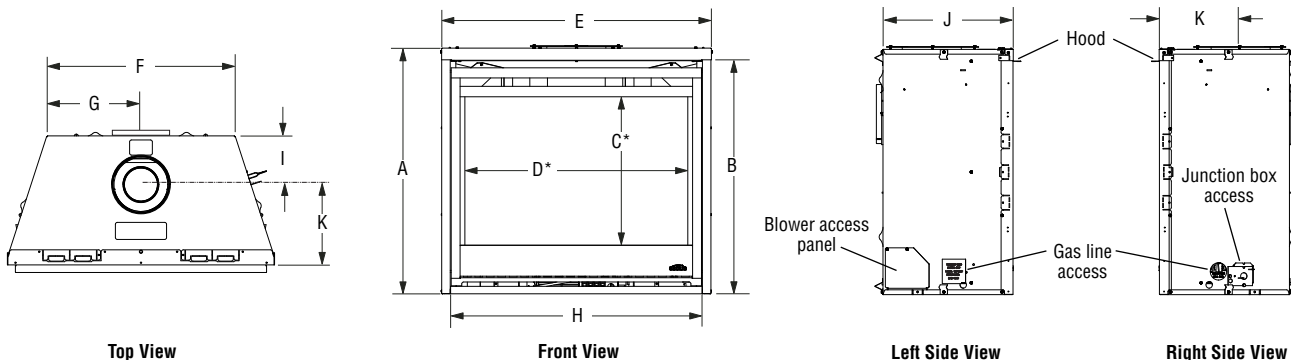
Model	A	B	C	D	E	F
35" Models	35-7/8 (911)	59-1/2 (1511)	42-1/8 (1070)	30-1/4 (768)	14-1/4 (362)	6-5/8 (168)
40" Models	40-7/8 (1038)	63-7/8 (1622)	45-3/8 (1153)	33-1/4 (845)	15-7/8 (403)	8-1/2 (216)
45" Models	45-7/8 (1165)	70-3/8 (1788)	49-3/4 (1264)	35-1/4 (895)	17-1/2 (445)	10-1/4 (260)

Model	A *	B	C	D	E
35" Models	35-7/8 (911)	36-1/4 (920)	38-3/4 (984)	18-1/2 (470)	23-3/8 (594)
40" Models	40-7/8 (1038)	41-1/4 (1148)	43-3/4 (1111)	18-1/2 (470)	28-1/4 (717)
45" Models	45-7/8 (1165)	41-1/4 (1148)	43-3/4 (1111)	18-1/2 (470)	28-1/4 (717)

*Minimum opening size; additional 1/8" per side is recommended.

NOTE: Framing specifications do NOT apply for flexible venting. When using flexible venting, refer to the kit requirements for framing specifications.

NOTE: When in top vent mode, No combustible material shall be allowed to contact the rear flue cap/cover.



Top View

Front View

Left Side View

Right Side View

Inches (millimeters)

* C and D are glass viewing area dimensions

Model	A	B	C*	D*	E	F	G	H	I	J	K
35" Models	32-1/8 (816)	30-1/2 (775)	19-1/2 (496)	29-1/4 (743)	35-1/4 (895)	25 (635)	12-1/2 (317)	32-7/8 (835)	6-7/8 (175)	17 (432)	10-1/8 (258)
40" Models	37-1/8 (943)	35-1/2 (902)	24-1/2 (623)	34-1/4 (870)	40-1/4 (1022)	30 (762)	15 (381)	37-7/8 (962)	6-7/8 (175)	17 (432)	10-1/8 (258)
45" Models	37-1/8 (943)	35-1/2 (902)	24-1/2 (623)	39-1/4 (997)	45-1/4 (1149)	35 (889)	17-1/2 (445)	42-7/8 (1089)	6-7/8 (175)	17 (432)	10-1/8 (258)

NOTE: DIAGRAMS & ILLUSTRATIONS ARE NOT TO SCALE.

SCORPIO™CD -C SERIES

Product Information

Cat. No.	Model	Weight	Cu. Ft.
F4811	SCORPIOCD35DEN-C	106 lb.	12.6
F4812	SCORPIOCD40DEN-C	129 lb.	16.8
F4813	SCORPIOCD45DEN-C	139 lb.	18.8

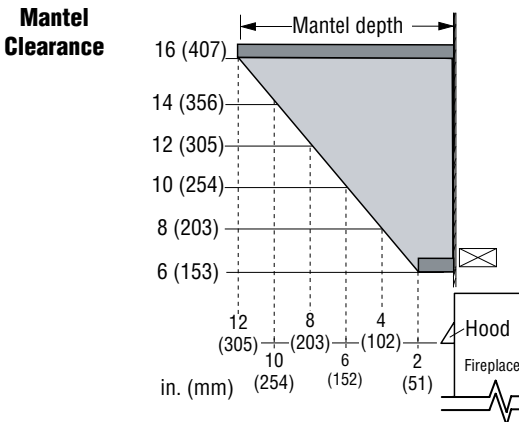
Listing Information



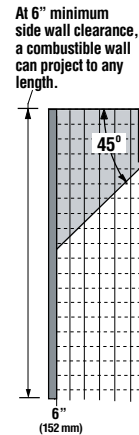
Report No. F13-094

Listed by PFS Corporation to - ANSI Z21.88 (in Canada, CSA-2.33), and CAN/CGA-2.17-M91 in both USA and Canada, as a vented gas fireplace heater.

Clearances



Side Wall Clearance



Top View of Fireplace

Combustible Materials Allowed In Shaded Area "Safe Zone"

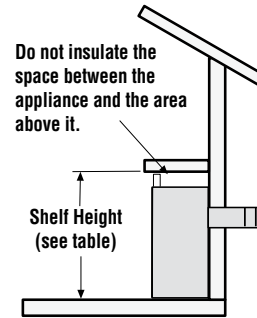
Combustible Walls shown in dark gray

Combustible mantel legs may project beyond either side of the fireplace opening as long as they are kept within the shaded area illustrated here.

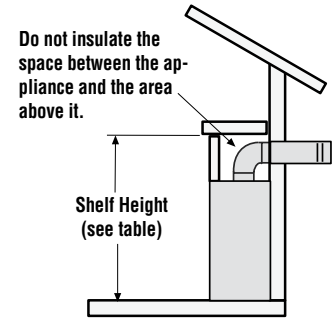
Shelf Height

Model	Top Vent with one 90° Elbow		Alternative Rear Vent applications
	Secure Vent® (using rigid elbow)	Secure Flex® (using flex elbow)	Secure Vent®
35" Models	47" (1194 mm)*	49" (1245 mm)*	41" (1042 mm)**
40" Models	52" (1321 mm)*	54" (1372 mm)*	46" (1169 mm)**
45" Models	52" (1321 mm)*	54" (1372 mm)*	46" (1169 mm)**

- * Includes 3" clearance to combustibles (required above vent components)
- ** In alternative, Rear Vent applications, Top Vent will be sealed as detailed in the Installation and Operation manual.
- *** When in top vent mode; no combustible material shall be allowed to contact the rear flue cap/cover.



Shelf Above Fireplace With Rear Venting



Shelf Above Fireplace With Top Venting

Specifications and clearances are subject to change without notice. Refer to Installation and Operation Manual before installation of these appliances for updated dimensions and instructions.

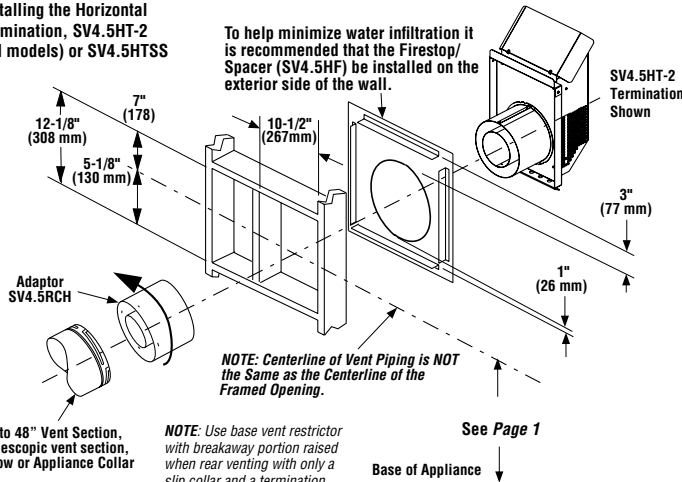
Venting

Horizontal Termination

35" and 40" models only. See Installation and Operation Manual for special provision for 45" model when using the small square termination

Installing the Horizontal Termination, SV4.5HT-2 (all models) or SV4.5HTSS

To help minimize water infiltration it is recommended that the Firestop/Spacer (SV4.5HF) be installed on the exterior side of the wall.



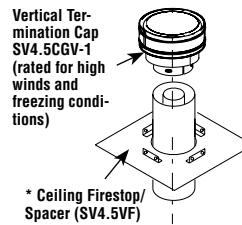
6 to 48" Vent Section, Telescopic vent section, Elbow or Appliance Collar

NOTE: Use base vent restrictor with breakaway portion raised when rear venting with only a slip collar and a termination.

See Page 1

Base of Appliance

Vertical Termination



Typical Installations

