

## LOG SET MODEL - LS60SHF-1

FOR USE ON MODELS: VFLB(36,48)FP(30,90)(N,P)-1, VFLB(48,60)SP90(N,P)-1



### INSTALLER:

Leave this manual with the appliance.

### CONSUMER:

Retain this manual for future reference.

#### ⚠ WARNING

##### FIRE OR EXPLOSION HAZARD

Failure to follow safety warnings exactly could result in serious injury, death or property damage.

- Do not store or use gasoline or other flammable vapors and liquids in the vicinity of this or any other appliance.
- **WHAT TO DO IF YOU SMELL GAS**
  - Do not try to light any appliance.
  - Do not touch any electrical switch; do not use any phone in your building.
  - Leave the building immediately.
  - Immediately call your gas supplier from a neighbor's phone. Follow the gas supplier's instructions.
  - If you cannot reach your gas supplier, call the fire department.
- Installation and service must be performed by a qualified installer, service agency or the gas supplier.

GAS-FIRED



#### ⚠ WARNING

If not installed, operated and maintained in accordance with the manufacturer's instructions, this product could expose you to substances in fuel or from fuel combustion which can cause death or serious illness.

Log sets comply with ANSI Z21.11.2 Unvented Heaters and also comply with ANSI Z21.60 Decorative Vented Appliances for Solid Fuel Burning Fireplaces. State or local codes may only allow operation of log sets in a vented configuration. Check your state or local codes.



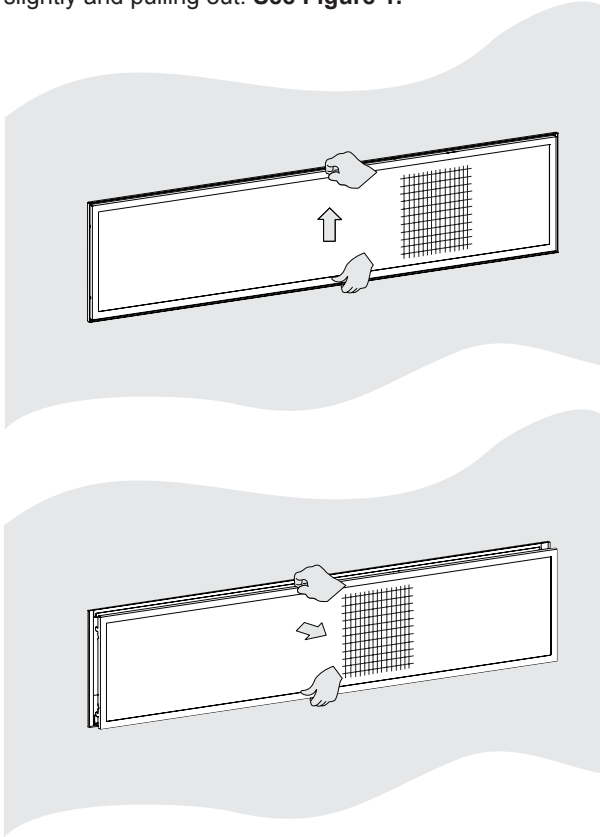
We suggest that our gas hearth products be installed and serviced by professionals who are certified in the U.S. by the National Fireplace Institute® (NFI) as NFI Gas Specialists.

# LOG IDENTIFICATION

DESCRIPTION	PART NO.	ACCESSORIES
ROCKS	37841	
SMALL LOGS	37842	
LOG 1	37836	
LOG 2	37837	
LOG 3	37838	
LOG 4	37839	
LOG 5	37840	

## INSTALLATION

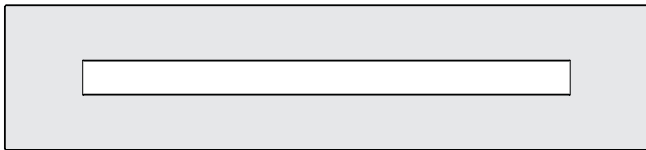
1. Remove barrier screen assembly from fireplace by lifting up slightly and pulling out. See **Figure 1**.



**Figure 1**

**NOTICE:** Do not handle the logs and rocks with bare hands! Always wear gloves to prevent skin irritation. When logs and rocks are in place, remove the gloves and wash hands with soap and water.

2. Place logs and rocks in the shaded areas in **Figures 2 and 3**. Do not place logs where they will contact flames or inside the flanges and glass surrounding the burner. Place any unused logs and rocks in the original carton and store in a dry place out of the reach of children and pets. The look of the fireplace can be refreshed by rearranging or swapping out logs and rocks. See page 4 for suggested log placement for each model.



**Figure 2** – VFLB(48,60)SP90(N,P)

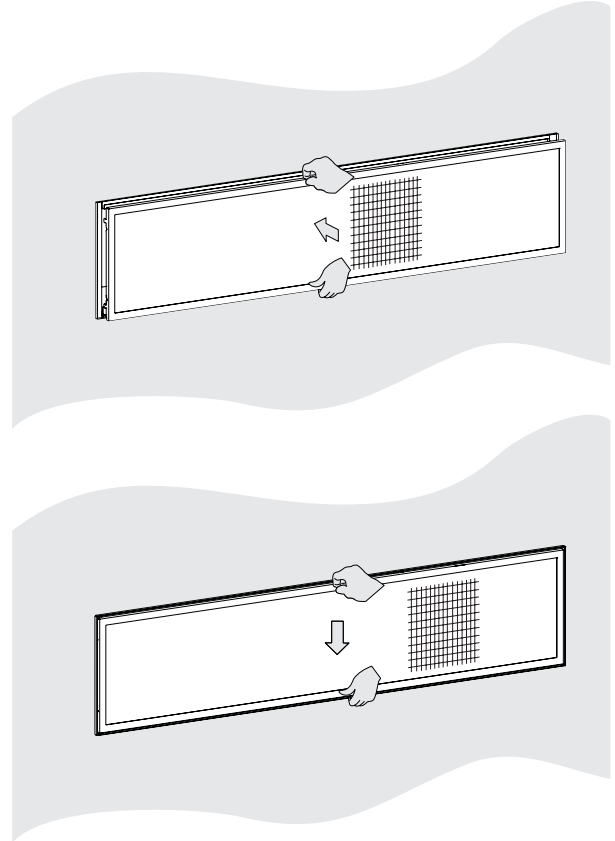


**Figure 3** – VFLB(36,48)FP(30,90)(N,P)

## ⚠ WARNING

Place rocks and logs in shaded areas only. Do not allow logs and rocks to contact flames. Improper placement may cause property damage or personal injury.

3. Reinstall the Barrier Screen onto the fireplace by lining up the tabs with the slots in the firebox. Push the barrier screen toward the unit and lower it slightly to lock in place. See **Figure 4**.



**Figure 4**

# SUGGESTED LOG PLACEMENT

VFLB36FP(30,90)(N,P)



VFLB48FP(30,90)(N,P)



VFLB48SP90(N,P)



VFLB60SP90(N,P)



Empire Comfort Systems Inc.  
Belleville, IL

If you have a general question  
about our products, please e-mail  
us at [info@empirecomfort.com](mailto:info@empirecomfort.com).

If you have a service or repair  
question, please contact your dealer.

SINCE 1932

[www.empirecomfort.com](http://www.empirecomfort.com)