

NAPOLIFON



VECTOR™ AND LUXURIA™ LINEAR SERIES GAS FIREPLACES
napoleonfireplaces.com





Media Options

Premium Birch Log Kit with Shore Fire Kit



Beach Fire Kit



Shore Fire Kit (sand included)



Mineral Rock Kit



Beach Fire, Shore Fire and Mineral Rock Kits Combined



Blue Glass Embers



Amber Glass Embers



Black Glass Embers



Red Glass Embers



Topaz Glass Embers



Clear Glass Embers

Media Options

Wrought Iron Globes with Topaz Glass Embers



Shore Fire and Beach Fire Kits Combined



Nickel Stix on Topaz Glass Embers



Birch Log Kit on Topaz Glass Embers



Wrought Iron Globes with Shore Fire Kit



Blue Glass Beads



Amber Glass Beads



Black Glass Beads



Red Glass Beads



Topaz Glass Beads



Clear Glass Beads

Vector™ Series

Sophisticated Fires

Napoleon's Vector™ series of linear gas fireplaces is the perfect fit for any room to make a statement in your home. Customize your fireplace with our selection of designer surrounds, choose a different surround for either side of the See Thru Vector™ units to match or enhance your current décor. Napoleon's Vector™ Series can also be dressed to match any interior design with dozens of media options available, the possibilities are endless.

Available Sizes:



Features



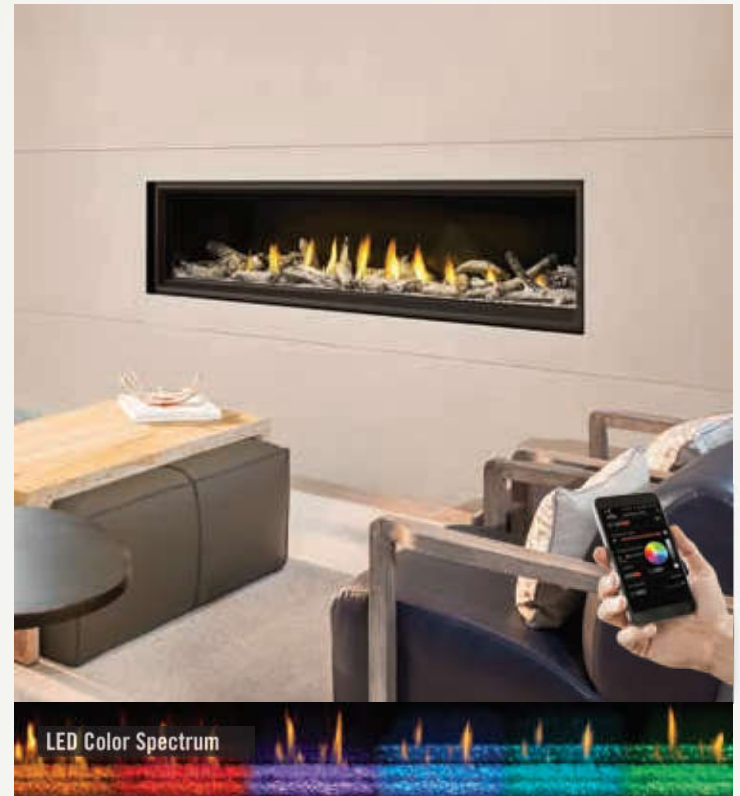
Remote Control



Choice of Glass Beads or CRYSTALINE™ Ember Bed



MIRRO-FLAME™ Porcelain Reflective Radiant Panels (Included)



eFIRE controller application available free on iTunes and Google Play store

Mobile Device Controlled

Napoleon's eFIRE app will revolutionize the way you use your fireplace. We have cracked the code and present to you the first fireplace to be controlled by *Bluetooth*® technology, using an intuitive app on your mobile device.

The eFIRE application allows you to create every imaginable color, selecting the one that fits your current mood or your décor with ease. The simple color wheel tool swiftly scrolls through the full color spectrum. Napoleon's eFIRE app controls every function of your fireplace including; on/off, flame height and blower speed for total convenience.

Style & Size Options

Various Models, Media Kits, Surrounds and Trims Shown

Vector™ 62 featured on page 10



Black Premium Safety Barrier

Shown on Single Sided Vector™ 38 with Wrought Iron Globe Kit on Topaz Glass Embers



Black Premium Safety Barrier

Shown on Single Sided Vector™ 50 with Premium Birch Logs and Shore Fire Kit



Black Premium Safety Barrier

Shown on Single Sided Vector™ 74 with Wrought Iron Globe Kit on Topaz Glass Embers



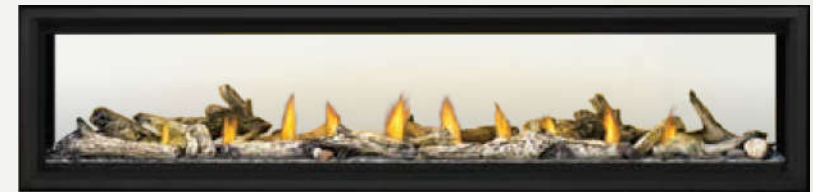
Classic Black Surround

Shown on See Thru Vector™ 38 with Shore and Beach Fire Kits combined



Black Premium Safety Barrier and 1" Finishing Trim

Shown on See Thru Vector™ 50 with Wrought Iron Globe Kit on Topaz Glass Embers



Black Premium Safety Barrier

Shown on See Thru Vector™ 74 with Beach Fire Kit on Clear Glass Beads



Brushed Stainless Steel Surround

Shown on Single Sided Vector™ 38 with Premium Birch Logs and Shore Fire Kit



Brushed Stainless Steel Premium Safety Barrier and 1" Finishing Trim

Shown on Single Sided Vector™ 50 with Shore and Beach Fire Kits combined



Brushed Stainless Steel Premium Safety Barrier

Shown on Single Sided Vector™ 74 with Premium Birch Logs and Shore Fire Kit

Vector™ 38

Single-Sided & See Thru Models



See Thru Vector™ 38 - Black Premium Safety Barrier



Single Sided Vector™ 38 - Classic Black Surround



See Thru Vector™ 38 - Brushed Stainless Steel Surround



Single Sided Vector™ 38 - Black Premium Safety Barrier

LV38N-1 / LV38N2-1

Up to 30,000 BTU's

Viewing Area: 18 5/8" h x 40 3/4" w

For more detailed specifications on this unit, see pages 20-21



See Thru Vector™ 50 - Black Premium Safety Barrier



Single Sided Vector™ 50 - Black Premium Safety Barrier



See Thru Vector™ 50 - Black Premium Safety Barrier and 1" Black Finishing Trim



Single Sided Vector™ 50 - Brushed Stainless Steel Premium Safety Barrier and 1" Stainless Steel Finishing Trim

LV50N-2 / LV50N2-2

Up to 36,000 BTU's

Viewing Area: 18 5/8" h x 52 3/4" w

For more detailed specifications on this unit, see pages 20-21

Vector™ 50

Single-Sided & See Thru Models



The Single Sided Vector™ 50 shown with Glass Beads and Orange LED Lights.

Vector™ 62

Single-Sided & See Thru Models



Single Sided Vector™ 62 - Brushed Stainless Steel Premium Safety Barrier



See Thru Vector™ 62 - Black Premium Safety Barrier



Single Sided Vector™ 62 - Black Premium Safety Barrier



See Thru Vector™ 62 - Brushed Stainless Steel Premium Safety Barrier

LV62N / LV62N2

Up to 42,000 BTU's

Viewing Area: 18 5/8" h x 64 3/4" w

For more detailed specifications on this unit, see pages 20-21

Vector™ 74

Single-Sided & See Thru Models



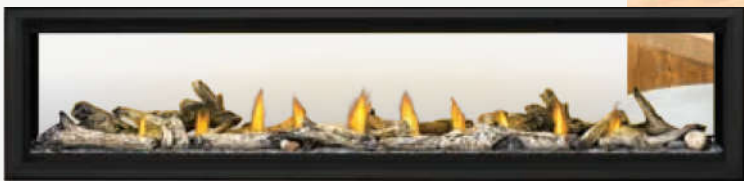
Single Sided Vector™ 74 - Black Premium Safety Barrier



See Thru Vector™ 74 - Black Premium Safety Barrier



Single Sided Vector™ 74 - Brushed Stainless Steel Premium Safety Barrier



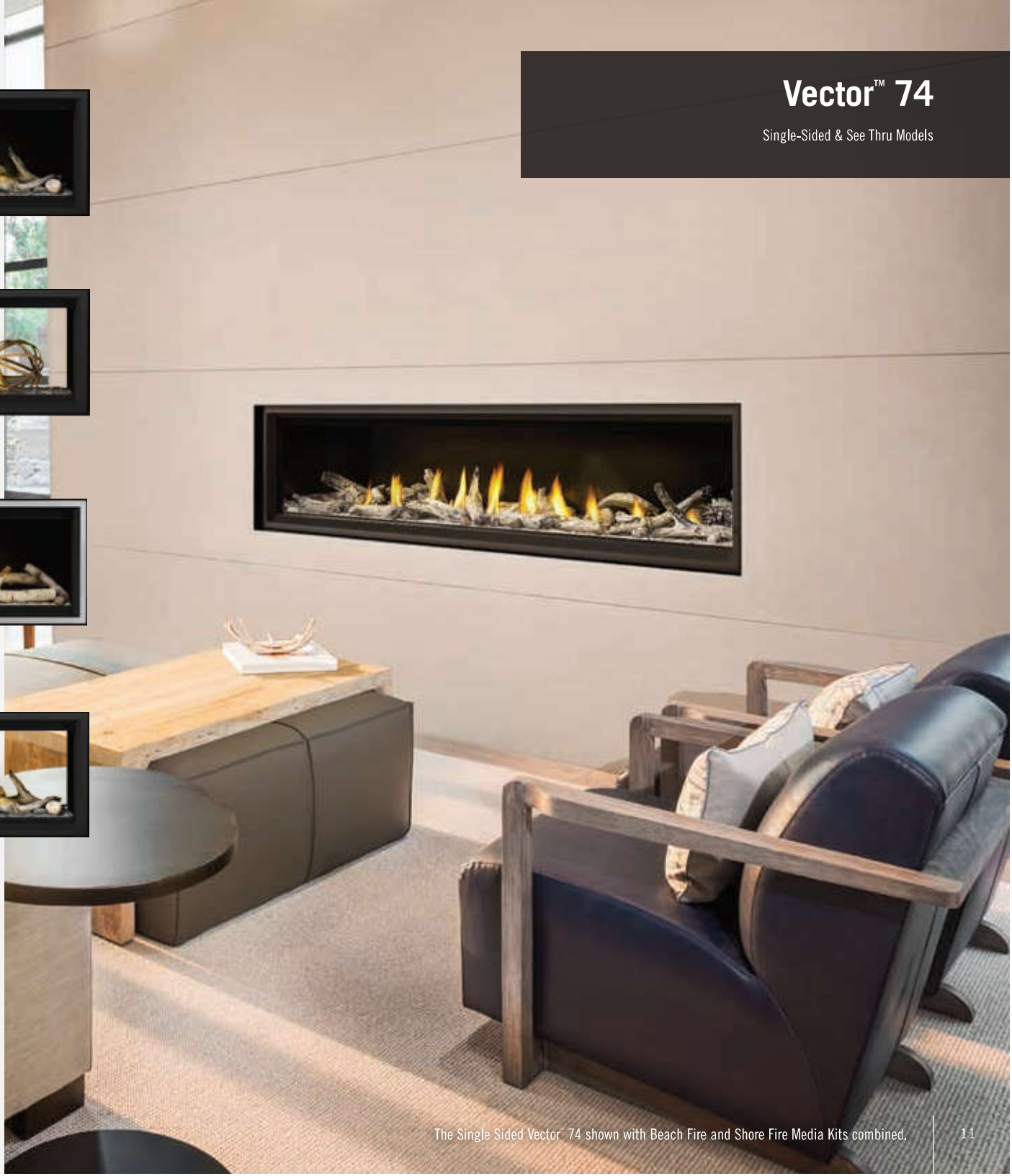
See Thru Vector™ 74 - Black Premium Safety Barrier

LV74N / LV74N2

Up to 48,000 BTU's

Viewing Area: 18 5/8" h x 76 3/4" w

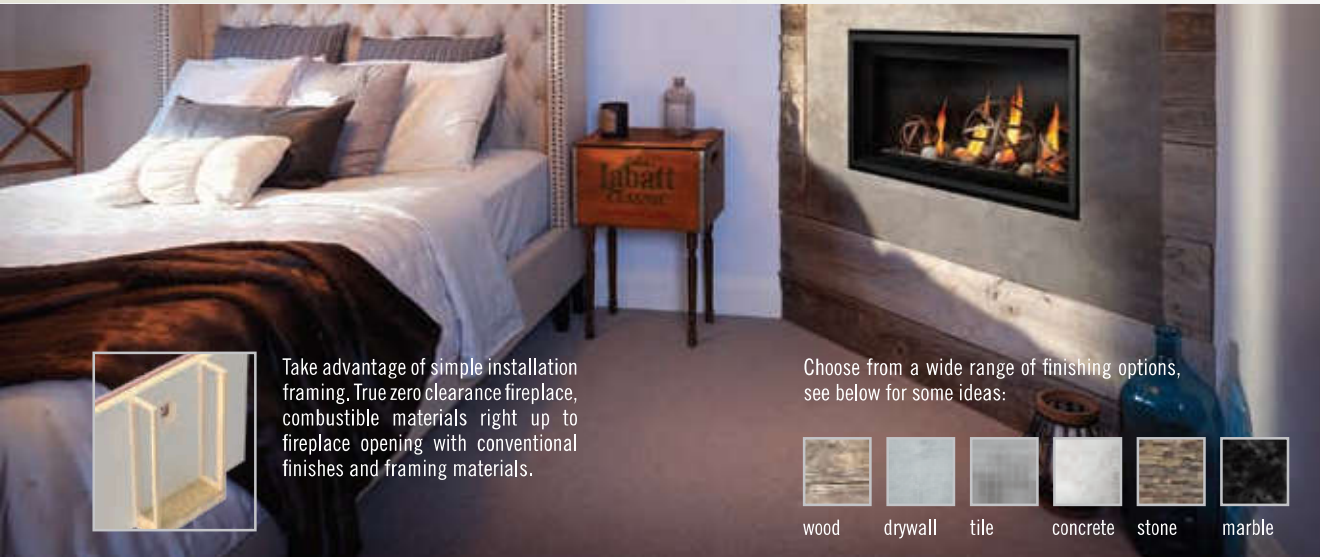
For more detailed specifications on this unit, see pages 20-21



WHERE DESIGN MEETS COMFORT.

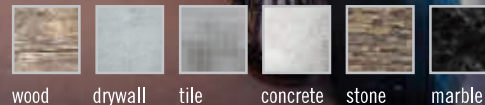
Napoleon's new patent pending heat management system, Dynamic Heat Control[®] (DHC), is a system for managing the heat produced by the appliance at or around the fireplace, allowing it to circulate effectively within designated spaces. Design your living space how you imagine with versatile options that avoid complex and costly installation requirements.

Enhance life's most memorable moments.



Take advantage of simple installation framing. True zero clearance fireplace, combustible materials right up to fireplace opening with conventional finishes and framing materials.

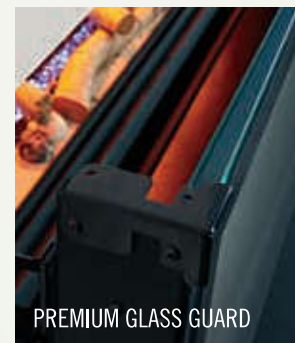
Choose from a wide range of finishing options, see below for some ideas:



wood drywall tile concrete stone marble

NO COMPROMISE FUNCTIONALITY.

This heat management system eliminates the need for loud power vents, fan systems or blowers to provide better heat distribution. Easily install your televisions, sound bars or artwork above the fireplace to truly customize your home decor thanks to the drastically reduced temperatures above the fireplace. Napoleon's Luxuria[™] Series fireplaces includes the Dynamic Heat Control[®] System and Premium Glass Guard, providing a completely unobstructed view of the tallest flames in the Linear Series, eliminating the need for safety screens! The DHC system is optional for the Vector[™] Series fireplaces.



PREMIUM GLASS GUARD

AWARD WINNING



On March 3rd, 2017, Napoleon's Luxuria[™] series was recognized as "Best-In-Show" and was also awarded first place in the Gas Products category. Taking home two Vesta awards, the Luxuria[™] line has further solidified Napoleon's stature as the leader in the hearth industry.

COMING SOON



The Dynamic Heat Control[®] Plus system takes heat management to the next level. The DHC Plus[™] System is designed for advanced heat management even in the event of a power outage by directing warm air to any living space where heat is needed within the home, or even exhausting the heat outside if it is not required.

FOCUSED ON VERSATILITY.

Engineered to optimize air flow both through the appliance and enclosure to reduce surface temperatures, this system allows for more versatile installation opportunities allowing for increased comfort. See below for examples of the Dynamic Heat Control[™] Fireplace installations options for virtually limitless possibilities.



Stopping shy of the ceiling at the top, allows rising hot air to escape freely from the top of the enclosure and into the room.



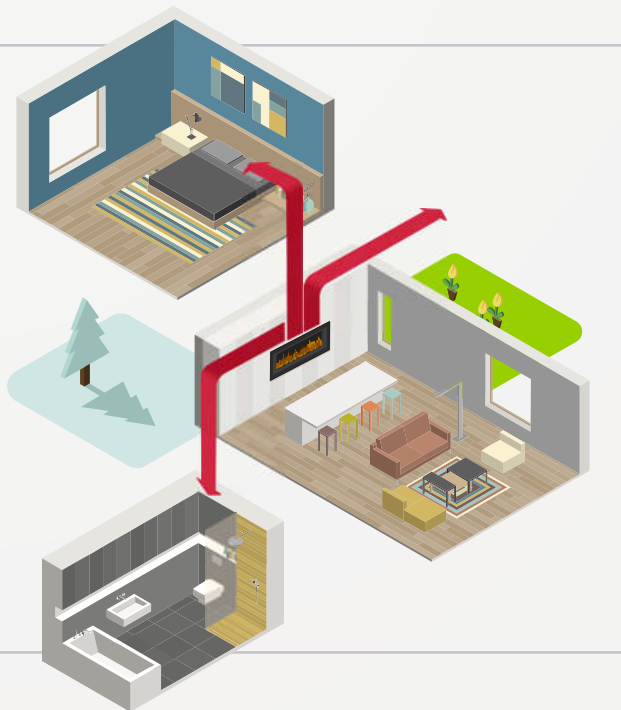
Uses an air outlet opening that will be built into the front of the constructed enclosure, at the top, centered above the appliance.



Stopping shy of the ceiling at the top, allows rising hot air to escape freely from the top of the enclosure and into the room.

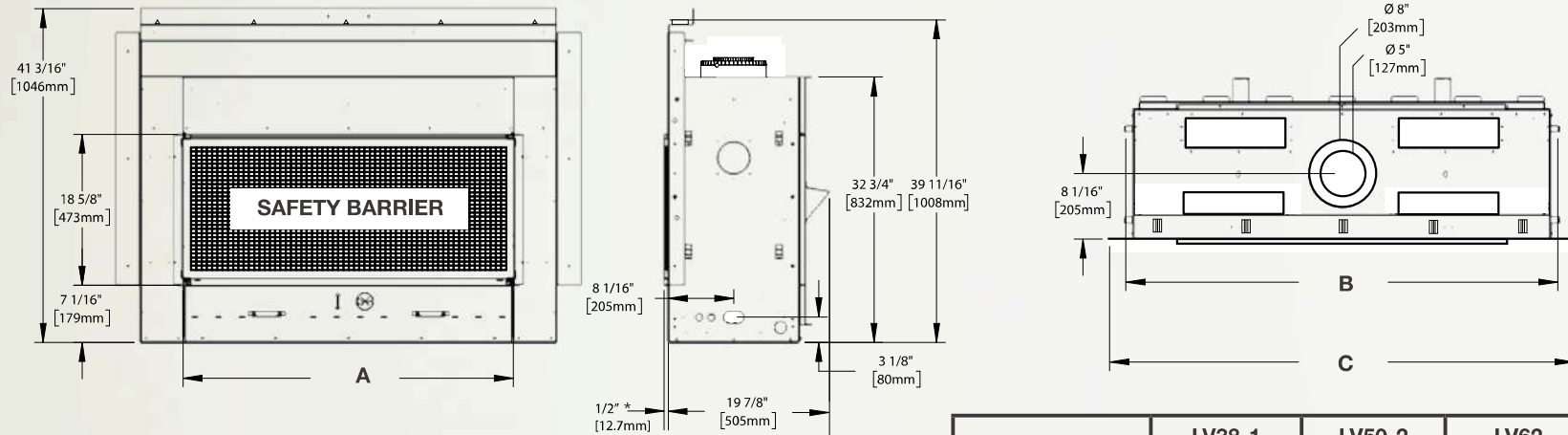


This style of enclosure includes an air outlet opening that will be built into the rear of the constructed enclosure, at the top, centered above the appliance.



Single Sided Vector™ Series

Dimensions & Specifications



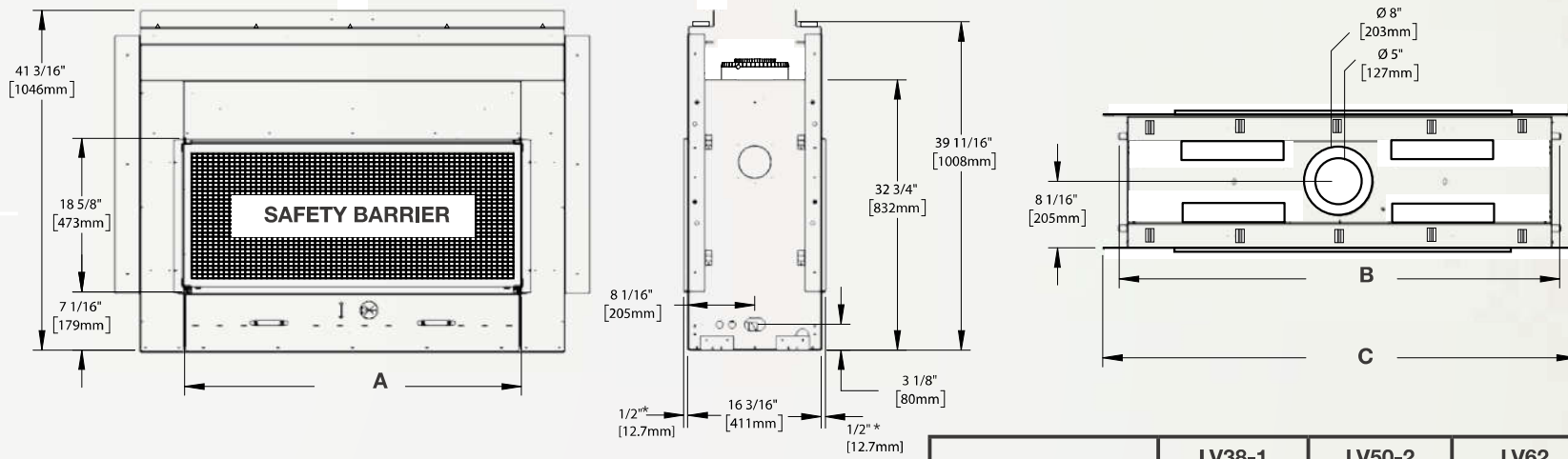
	LV38-1	LV50-2	LV62	LV74
A (Finishing Flange)	40 3/4" (1035mm)	52 3/4" (1340mm)	64 3/4" (1645mm)	76 3/4" (1949mm)
B	53 5/16" (1354mm)	65 5/16" (1659mm)	77 5/16" (1964mm)	89 5/16" (2269mm)
C	57 5/16" (1456mm)	69 5/16" (1761mm)	81 5/16" (2065mm)	93 5/16" (2370mm)

*Finishing flange depth

Product Code	BTU's (Input)	Venting 5" / 8"	Height		Width		Depth		Viewing Area		Efficiency P4
			Actual	Framing	Actual	Framing	Actual	Framing	Height	Width	
LV38N	30,000	Top	39 3/4"	40" **	53 5/16"	56 3/16"	20"	20 1/8"	18 5/8"	40 3/4"	38.8%
LV50N	36,000	Top	39 3/4"	40" **	65 5/16"	65 13/16"	20"	20 1/8"	18 5/8"	52 3/4"	45.9%
LV62N	42,000	Top	39 3/4"	40" **	77 5/16"	77 13/16"	20"	20 1/8"	18 5/8"	64 3/4"	52.5%
LV74N	48,000	Top	39 3/4"	40" **	89 5/16"	89 13/16"	20"	20 1/8"	18 5/8"	76 3/4"	52.5%

See Thru Vector™ Series

Dimensions & Specifications



	LV38-1	LV50-2	LV62	LV74
A (Finishing Flange)	40 3/4" (1035mm)	52 3/4" (1340mm)	64 3/4" (1645mm)	76 3/4" (1949mm)
B	53 5/16" (1354mm)	65 5/16" (1659mm)	77 5/16" (1964mm)	89 5/16" (2269mm)
C	57 5/16" (1456mm)	69 5/16" (1761mm)	81 5/16" (2065mm)	93 5/16" (2370mm)

*Finishing flange depth

Product Code	BTU's (Input)	Venting 5" / 8"	Height		Width		Depth		Viewing Area (per side)		Efficiency
			Actual	Framing	Actual	Framing	Actual	Framing	Height	Width	
LV38N2	30,000	Top	39 3/4"	40" **	53 5/16"	53 13/16"	16 3/16"	16 3/16"	18 5/8"	40 3/4"	38.8%
LV50N2	36,000	Top	39 3/4"	40" **	65 5/16"	65 13/16"	16 3/16"	16 3/16"	18 5/8"	52 3/4"	45.9%
LV62N2	42,000	Top	39 3/4"	40" **	77 5/16"	77 13/16"	16 3/16"	16 3/16"	18 5/8"	64 3/4"	52.5%
LV74N2	48,000	Top	39 3/4"	40" **	89 5/16"	89 13/16"	16 3/16"	16 3/16"	18 5/8"	76 3/4"	52.5%

** Non-Combustible Header, Framing and Finishing Material **MAY** be required.

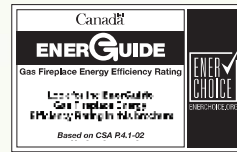


NAPOLEON - CELEBRATING OVER 40 YEARS OF HOME COMFORT PRODUCTS



24 Napoleon Road, Barrie, Ontario, Canada L4M 0G8
103 Miller Drive, Crittenden, Kentucky, USA 41030
7200 Trans Canada Highway, Montreal, Quebec, Canada H4T 1A3

Tel: 1-866-820-8686
napoleonfireplaces.com



Authorized Dealer

Consult your owner's manual for complete installation instructions and proper clearances to combustible materials. Check all local and national building codes and gas regulations. All specifications are subject to change without prior notice due to on-going product improvements. Products may not be exactly as shown. Flame height and activity is influenced by varying vent configurations and may not appear as shown. Napoleon is a registered trademark of Wolf Steel Ltd. © Wolf Steel Ltd. EnerGuide - A Canadian efficiency standard based on frequent, short start-up and cool-down cycles. All appliances sold in Canada are subject to this EnerGuide rating system. AFUE- A US efficiency standard (Department of Energy) based on extended on/off cycles, more typical of fireplace usage. Steady State - Reflects the highest possible overall heating efficiency.